



# 339 XP

**Spare parts**

**Ersatzteile**

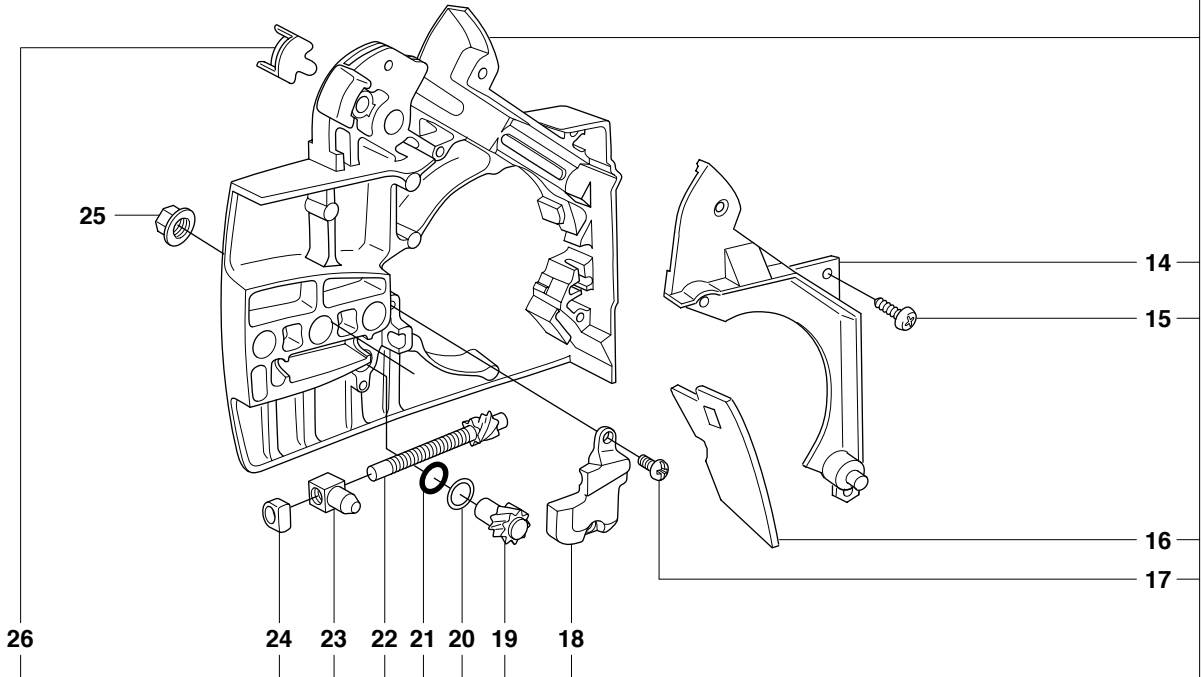
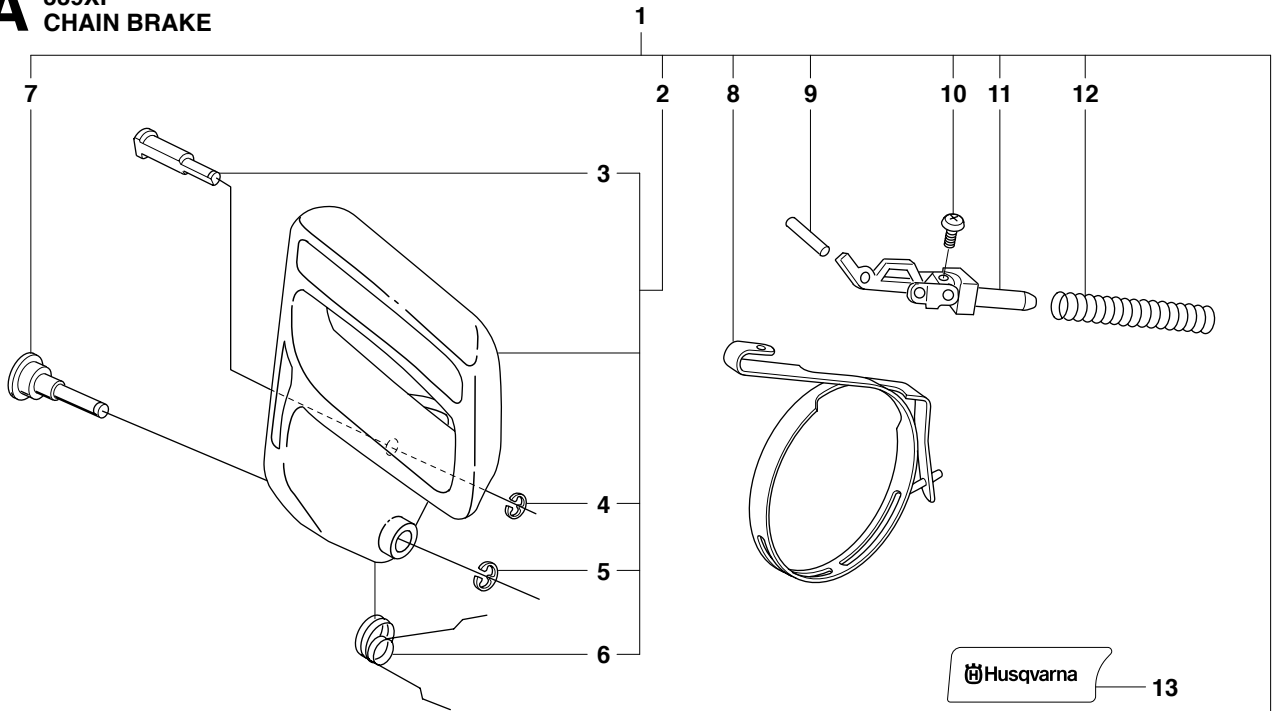
**Pièces détachées**

**Reserve onderdelen**

**Repuestos**

**Reservdelar**

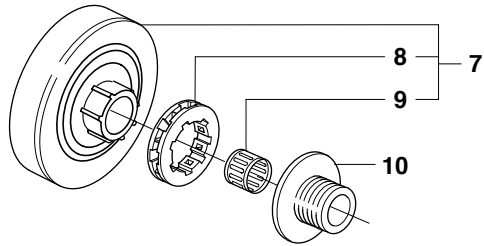
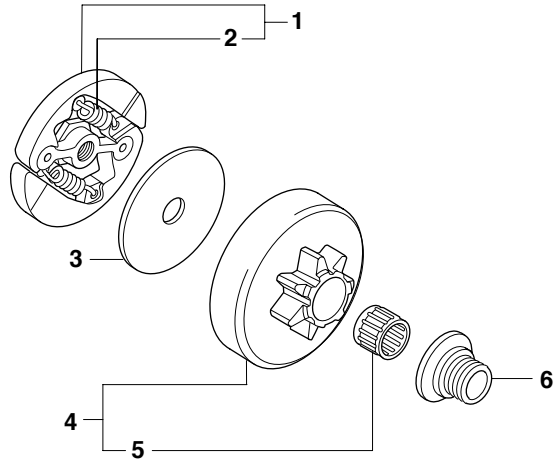
**A** 339XP  
CHAIN BRAKE



## CHAIN BRAKE

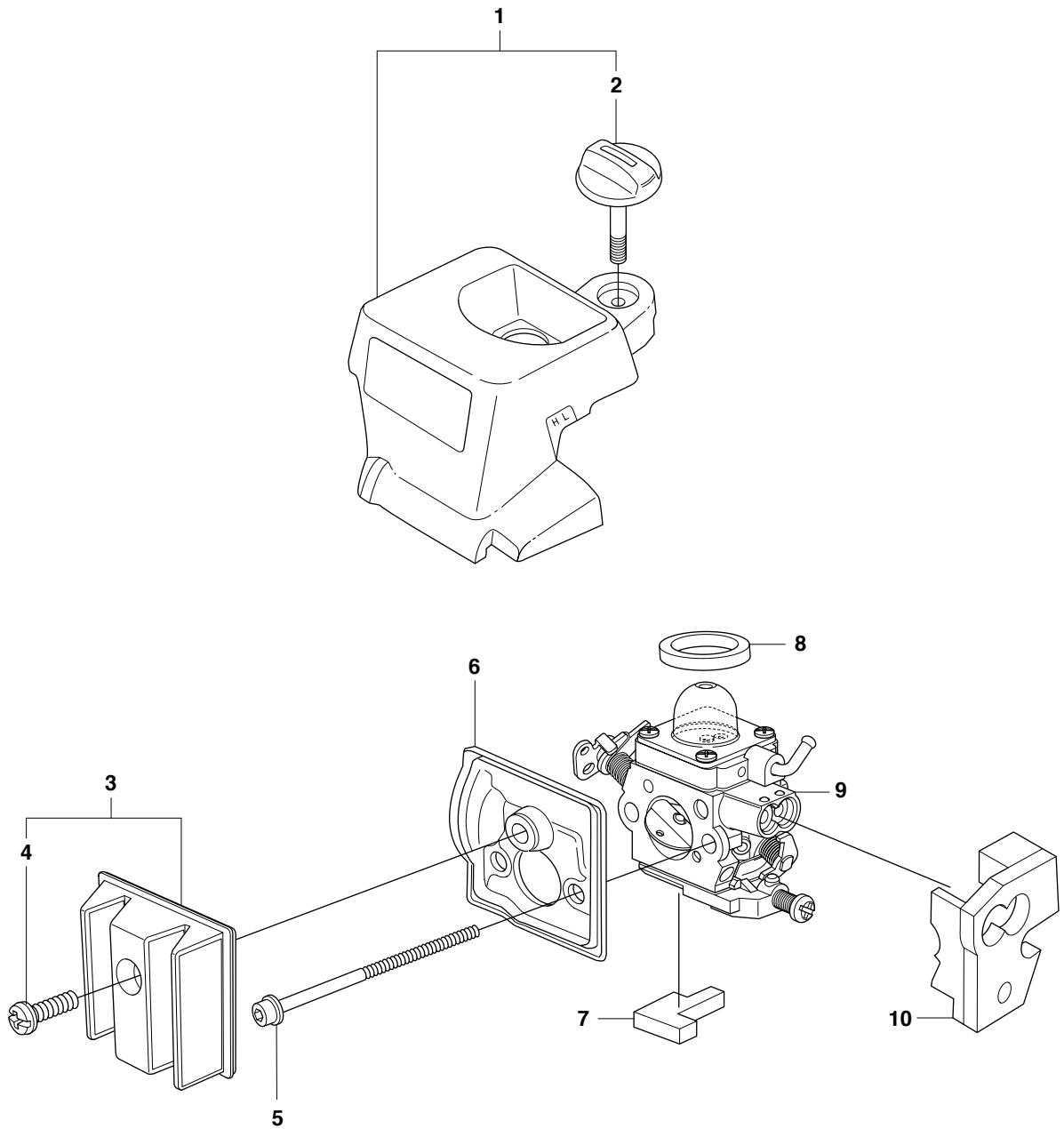
Position	Article	Quantity	Notes	Kit
1	544 00 55-04	1		
2	537 09 90-01	1		1
3	503 85 46-01	1		2
4	735 31 08-20	1		2
5	735 31 10-20	1		2
6	537 09 28-02	1		2
7	503 81 71-01	1		1
8	503 80 97-03	1		1
9	720 12 33-00	1		1
10	503 21 28-10	1		1
11	501 87 53-01	1		1
12	503 90 83-01	1		1
13	537 42 95-01	1		
14	503 80 52-01	1		1
15	503 21 28-10	4		1
16	503 85 51-01	1		1
17	503 21 28-10	2		1
18	537 39 69-01	1		1
19	537 07 94-02	1		1
20	503 23 00-63	1		1
21	740 48 07-02	1		1
22	537 39 70-01	1		1
23	501 45 41-02	1		1
24	537 01 74-01	1		1
25	503 22 00-01	1		
26	503 86 20-01	1		1

**B** 339XP  
CLUTCH



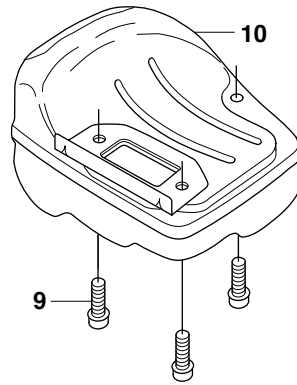
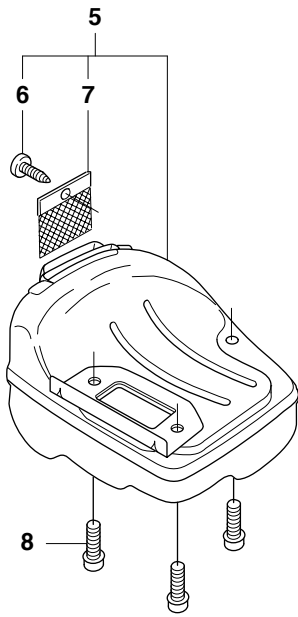
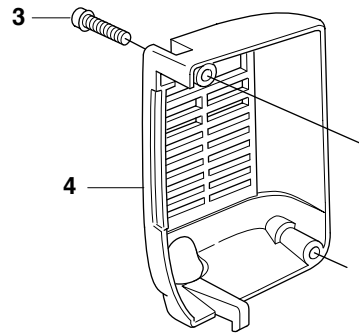
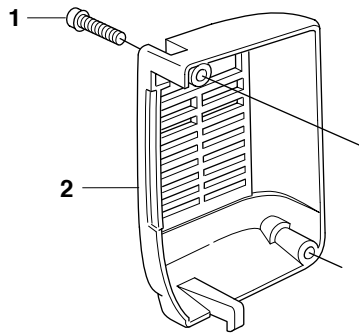
Page B		339XP		CLUTCH	
Position	Article	Quantity	Notes	Kit	
1	503 71 40-03	1			
2	503 74 95-01	1		1	
3	503 52 12-04	1			
4	537 07 91-71	1	1/4		
4	503 82 22-71	1	3/8"		
4	503 81 93-71	1	.325x7		
5	503 25 46-01	1		4	
6	503 78 92-03	1	1/4		
6	503 78 92-02	1	.325		
6	503 78 92-01	1	3/8		
7	537 32 60-02	1	.325x7		
8	501 45 74-02	1		7	
9	503 25 46-01	1		7	
10	503 78 92-04	1	.325x7		

**C** 339XP  
CARBURETTOR & AIR FILTER/FILTER COVER



Position	Article	Quantity	Notes	Kit
1	537 13 59-04	1		
2	537 21 32-10	1		1
3	537 07 61-01	1	52 $\mu$	
3	537 07 61-02	1	80 $\mu$	
4	503 20 32-16	1		3
5	503 21 75-50	2		
6	537 07 60-02	1		
7	537 24 19-02	1		
8	537 26 74-01	1		
9	544 11 25-01	1	Zama C1Q-EL34	
10	537 33 28-02	1		

**D** 339XP  
MUFFLER & MUFFLER COVER

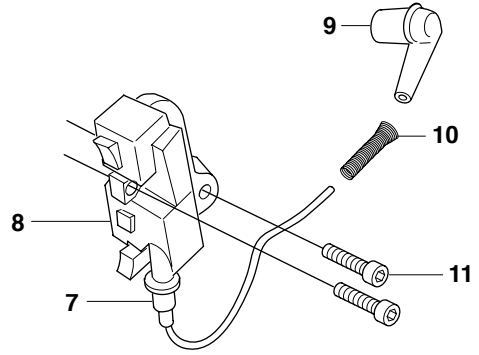
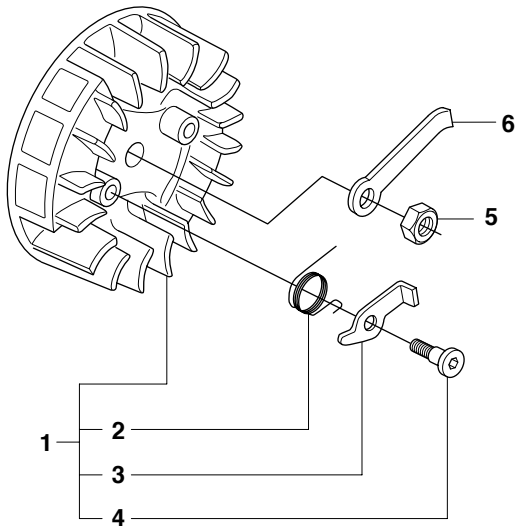




MUFFLER & MUFFLER COVER

Position	Article	Quantity	Notes	Kit
1	503 21 58-25	2		
2	537 05 54-01	1		
3	503 21 58-25	2		
4	537 19 07-01	1		
5	503 93 03-03	1		
6	724 12 87-59	1		5
7	503 82 17-01	1		5
8	503 20 02-16	3		
9	503 20 02-16	3		
10	537 19 50-01	1		

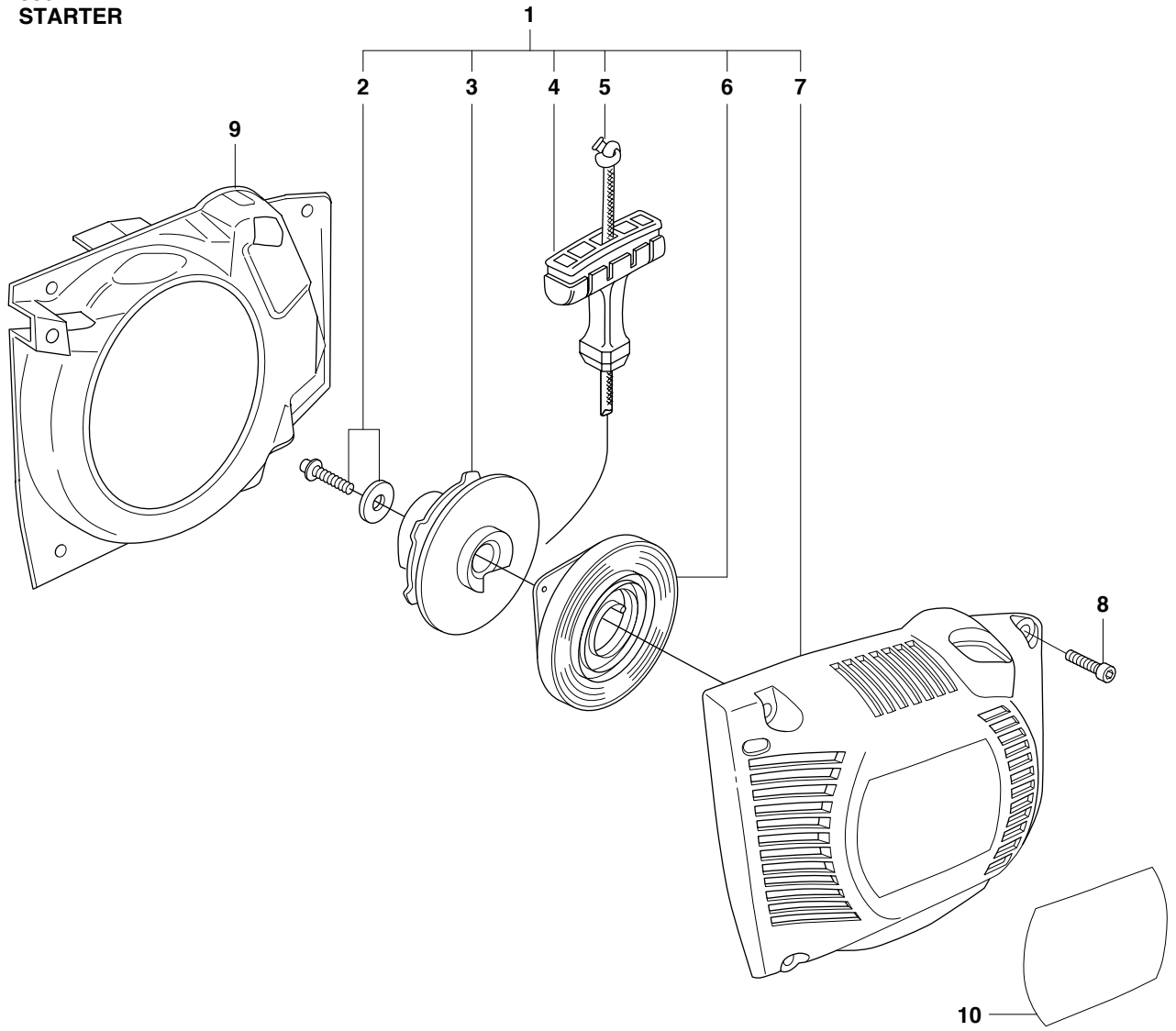
**E** 339XP  
IGNITION SYSTEM



IGNITION SYSTEM

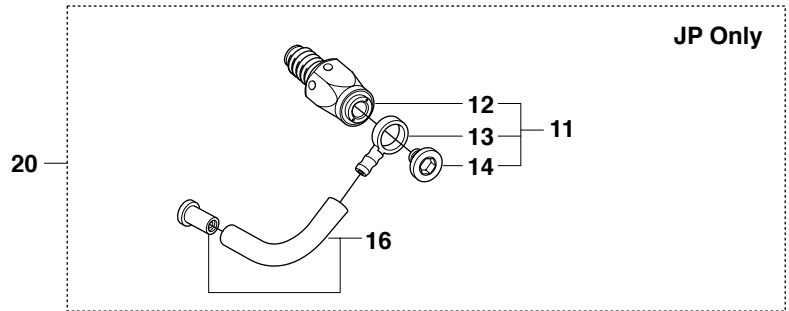
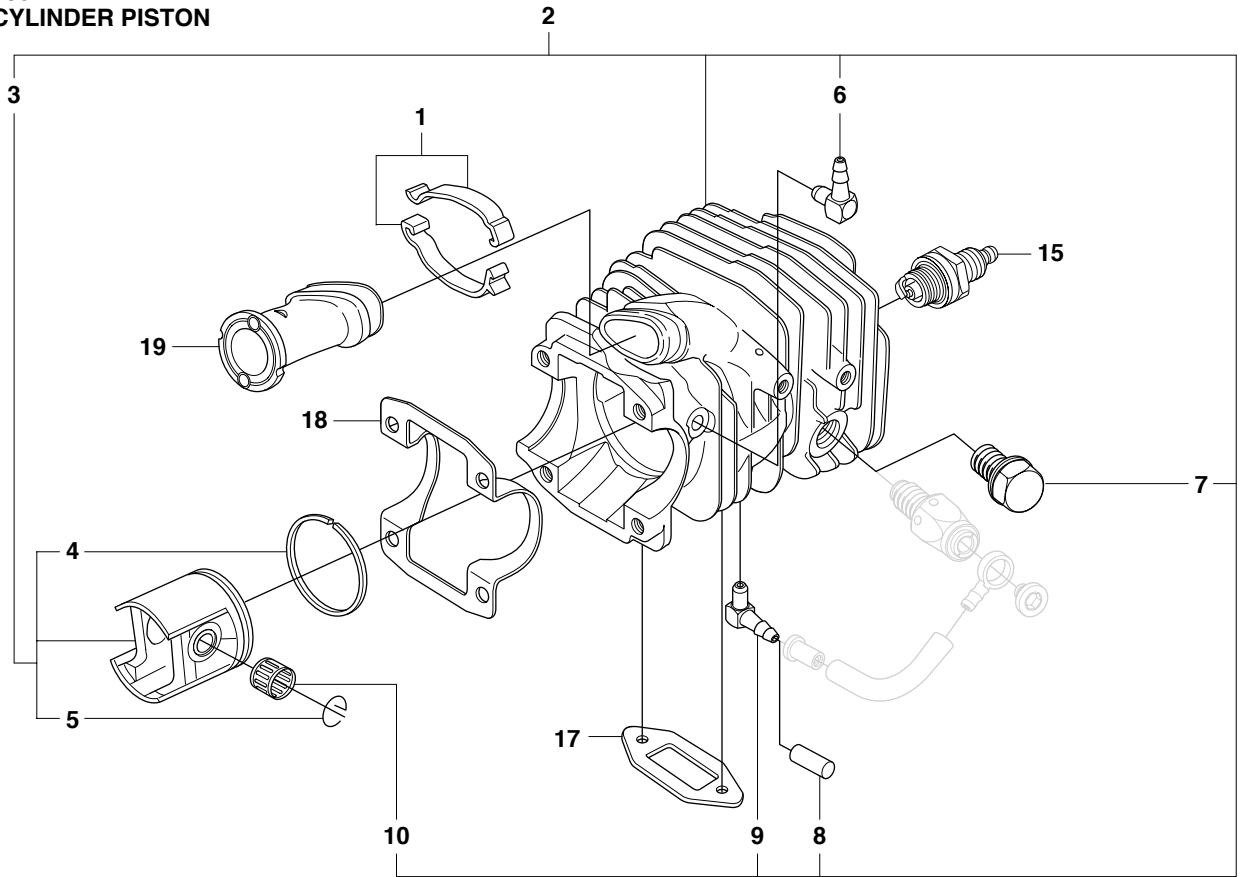
Position	Article	Quantity	Notes	Kit
1	537 23 39-01	1		
2	503 81 81-01	2		1
3	503 71 02-03	2		1
4	501 81 99-05	2		1
5	503 22 10-11	1		
6	503 90 98-02	1		
7	505 54 84-01	1		
8	544 04 70-01	1		
9	501 48 54-02	1		
10	505 54 93-01	1		
11	503 20 25-16	2		

**F** 339XP  
STARTER



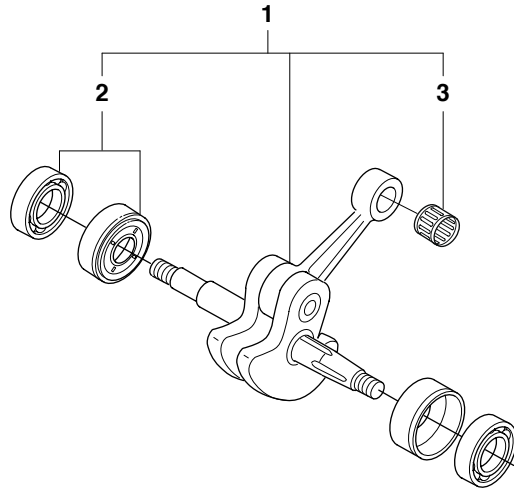
<b>Position</b>	<b>Article</b>	<b>Quantity</b>	<b>Notes</b>	<b>Kit</b>
1	544 06 43-04	1		
2	503 21 77-16	1		1
3	537 20 19-01	1		1
4	503 54 39-01	1		1
5	505 30 51-25	1		1
6	501 76 31-01	1		1
7	544 06 42-01	1		1
8	503 21 58-25	4		
9	503 82 25-03	1		
10	544 11 65-05	1		

**G** 339XP  
CYLINDER PISTON



Position	Article	Quantity	Notes	Kit
1	537 16 73-01	1		
2	537 13 20-01	1		
3	537 13 27-02	1		2
4	503 28 90-04	1		3
5	737 44 10-00	1		3
6	504 34 00-04	1		2
7	503 55 22-01	1		2
8	537 18 00-01	1		2
9	504 34 00-04	1		2
10	503 41 41-01	1		2
11	537 12 68-06	1		20
12	537 35 94-01	1		11
13	537 13 70-01	1		11
14	537 22 29-01	1		11
15	503 23 51-08	1	RCJ-7Y	
16	537 11 32-03	1		20
17	503 82 11-01	1		
18	537 10 04-01	1		
19	537 15 77-01	1		
20	537 12 68-06	1	JP Ony	

**H** 339XP  
CRANK SHAFT

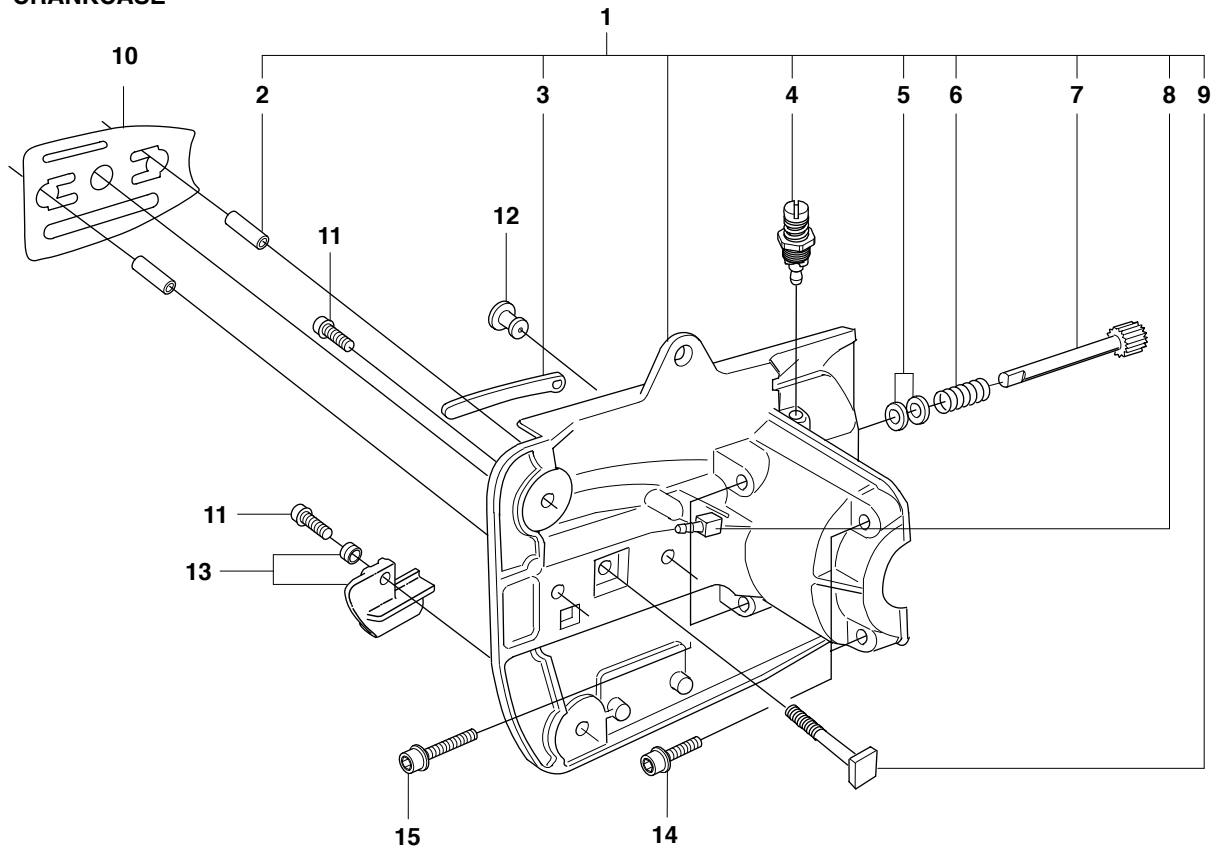




CRANK SHAFT

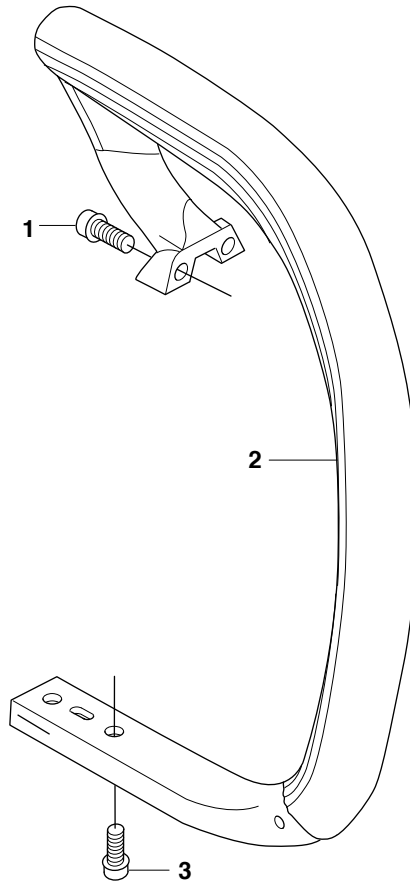
Position	Article	Quantity	Notes	Kit
1	537 37 67-02	1		
2	503 93 45-02	2		1
3	503 41 41-01	1		1

**J** 339XP  
CRANKCASE



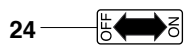
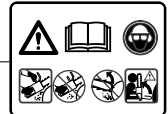
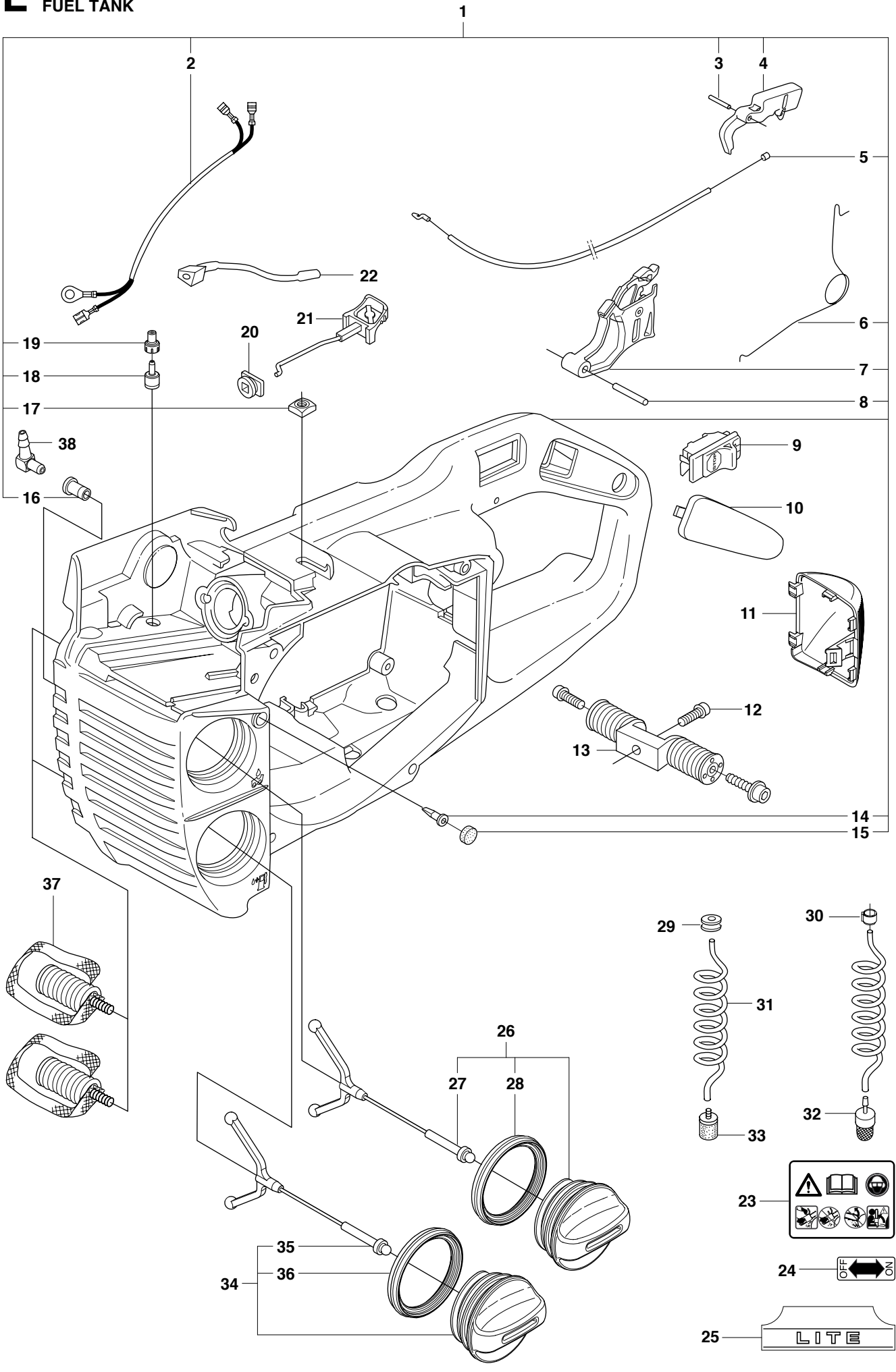
Position	Article	Quantity	Notes	Kit
1	503 79 22-06	1		
2	501 62 33-01	2		1
3	503 98 62-01	1		1
4	537 39 60-01	1		1
5	503 23 00-16	2		1
6	503 18 49-01	1		1
7	503 80 83-03	1		1
8	537 04 61-01	1		1
9	501 45 43-01	1		1
10	544 33 99-01	1		
11	503 20 02-16	2		
12	503 72 31-01	1		
13	537 18 91-01	1		
14	503 20 02-25	2		
15	503 20 02-40	2		

**K** 339XP  
HANDLE

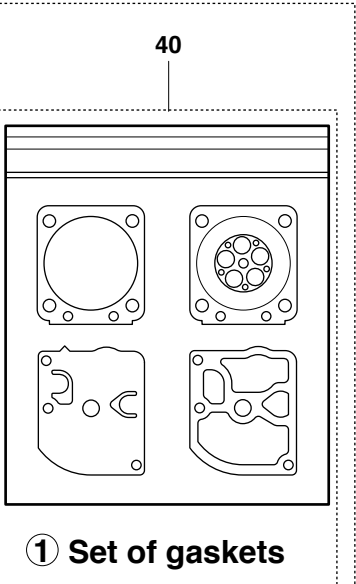
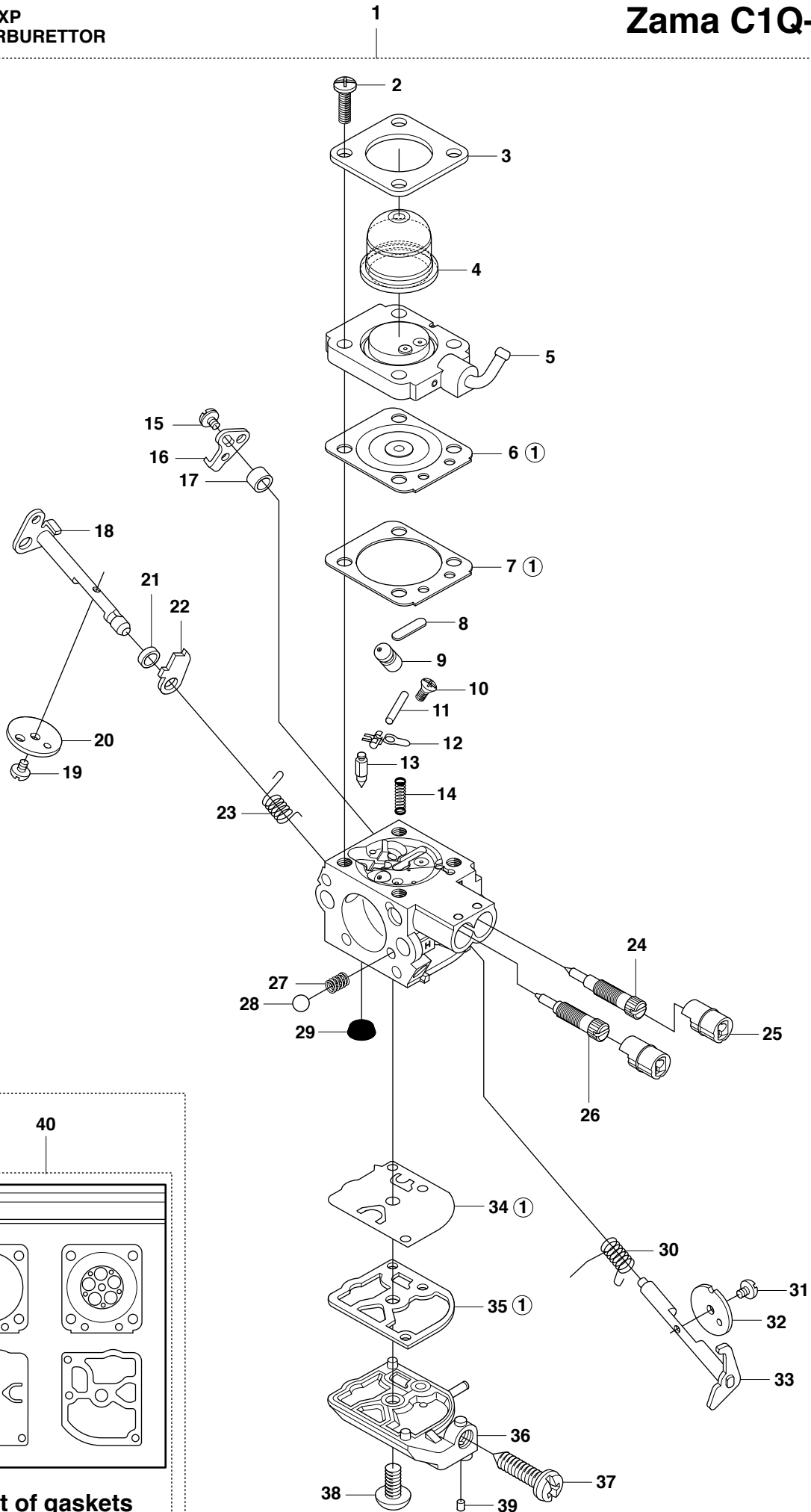


<b>Page K</b>		<b>339XP</b>		<b>HANDLE</b>	
<b>Position</b>	<b>Article</b>	<b>Quantity</b>	<b>Notes</b>	<b>Kit</b>	
1	503 21 57-16	2			
2	537 07 25-01	1			
3	503 21 57-16	1			

**L 339XP  
FUEL TANK**



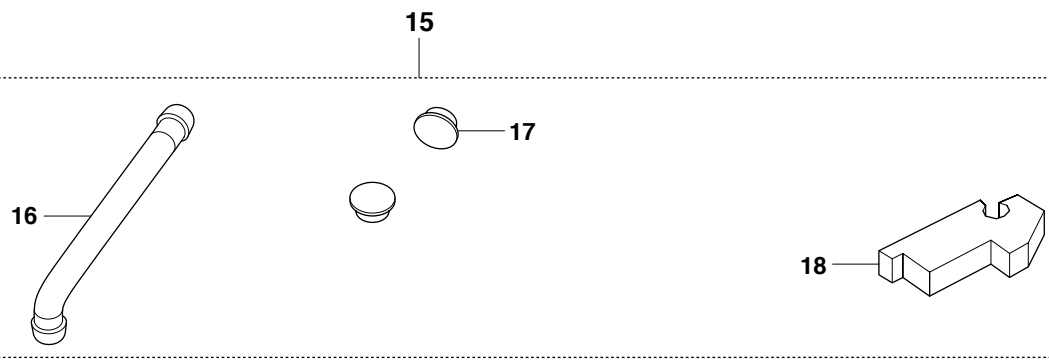
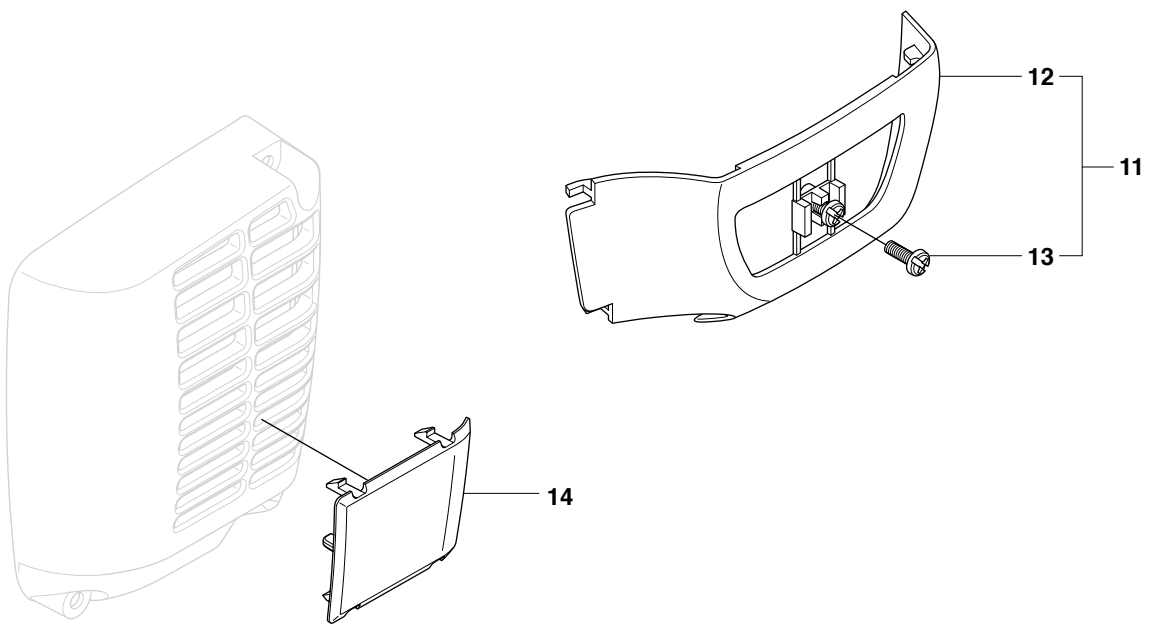
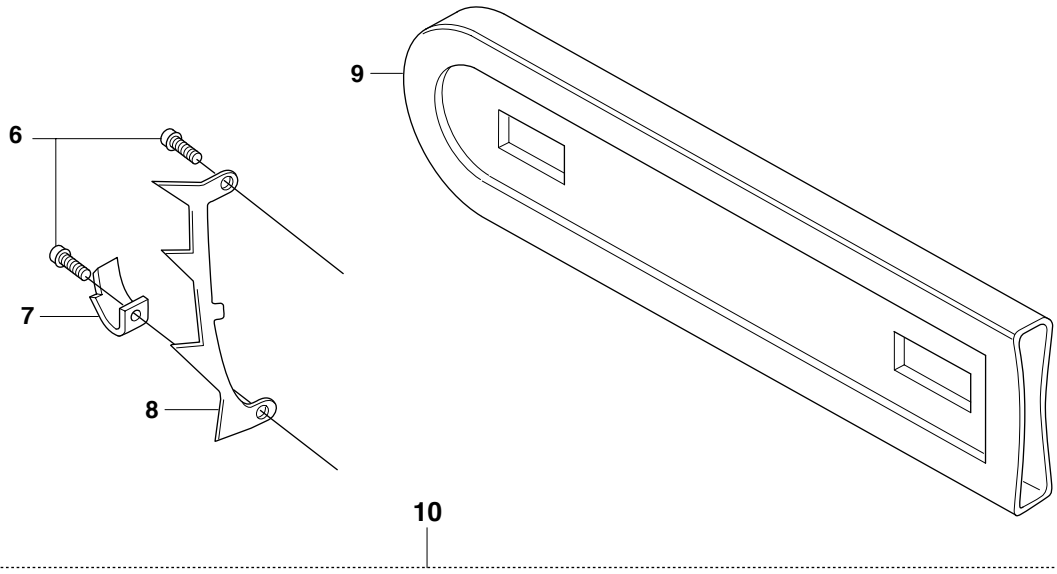
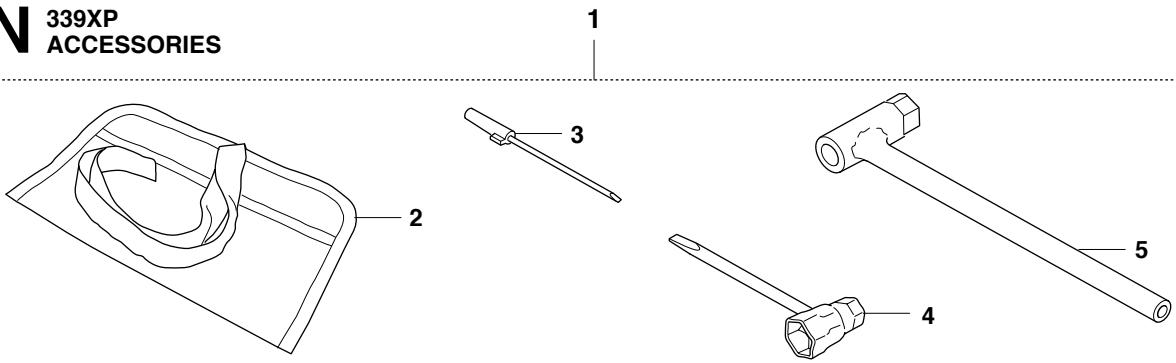
Position	Article	Quantity	Notes	Kit
1	537 08 89-05	1		
2	537 07 40-01	1		1
3	720 12 40-20	1		1
4	503 55 66-01	1		1
5	537 07 58-01	1		1
6	503 73 64-01	1		1
7	503 82 98-01	1		1
8	720 12 75-20	1		1
9	503 71 82-01	1		
10	537 05 93-01	1		
11	537 06 35-02	1		
12	503 20 02-16	3		
13	503 82 33-02	1		
14	530 02 61-19	1		1
15	503 98 13-01	1		1
16	537 05 28-01	1		1
17	503 22 65-04	1		1
18	537 35 95-01	1		1
19	537 13 97-01	1		1
20	537 08 64-01	1		
21	537 07 04-01	1		
22	503 84 26-01	1		
23	503 98 74-01	1		
24	537 12 76-01	1	JP Only	
25	537 37 81-01	1	JP Only	
26	537 21 52-02	1		
27	503 57 89-01	1		26
28	537 21 50-01	1		26
29	503 73 58-01	1		
30	537 05 11-01	1		
31	544 32 50-02	2		
32	503 96 75-01	1		
33	503 44 32-01	1		
34	537 21 52-04	1		
35	503 57 89-01	1		34
36	537 21 50-01	1		34
37	503 85 38-04	2		
38	537 19 23-01	1		





Page M		339XP		CARBURETTOR	
Position	Article	Quantity	Notes	Kit	
1	544 11 25-01	1	Zama C1Q-EL34		
2	537 27 48-01	4		1	
3	537 27 49-01	1		1	
4	537 27 50-01	1		1	
5	537 27 47-01	1		1	
6	537 27 45-01	1		1, 40	
7	537 27 46-01	1		1, 40	
8	503 53 56-01	1		1	
9	537 41 35-01	1		1	
10	503 48 01-01	1		1	
11	503 48 00-01	1		1	
12	503 66 59-01	1		1	
13	503 47 97-01	1		1	
14	537 27 34-01	1		1	
15	503 47 90-01	1		1	
16	537 27 41-01	1		1	
17	503 47 89-01	1		1	
18	537 27 38-01	1		1	
19	503 48 18-01	1		1	
20	537 27 39-01	1		1	
21	537 27 44-01	1		1	
22	537 27 43-01	1		1	
23	537 27 40-01	1		1	
24	537 41 69-01	1	L	1	
25	537 41 70-01	2		1	
26	537 38 75-01	1	H	1	
27	537 01 26-01	1		1	
28	537 01 25-01	1		1	
29	503 53 57-01	1		1	
30	537 01 97-01	1		1	
31	503 48 18-01	1		1	
32	537 38 83-01	1		1	
33	537 27 31-01	1		1	
34	537 02 00-01	1		1, 40	
35	537 02 01-01	1		1, 40	
36	537 27 33-01	1		1	
37	537 27 37-01	1		1	
38	503 47 96-01	1		1	
39	503 48 11-01	1		1	
40	537 24 18-01	1	1 = Set of gaskets		

**N** 339XP  
ACCESSORIES



Position	Article	Quantity	Notes	Kit
1	537 09 92-01	1		
2	537 13 73-01	1		1
3	501 60 02-03	1		1
4	501 69 17-01	1		1
5	502 11 46-02	1		1
6	503 20 02-16	2		
7	501 68 68-01	1		
8	503 81 73-01	1		
9	501 83 44-09	1		
10	544 93 16-02	1		
11	544 93 16-01	1		10
12	544 85 06-01	1		11
13	503 21 28-10	1		11
14	537 32 20-01	1		10
15	537 43 18-01	1		
16	537 42 64-01	1		15
17	537 26 12-01	2		15
18	503 84 27-01	1		15