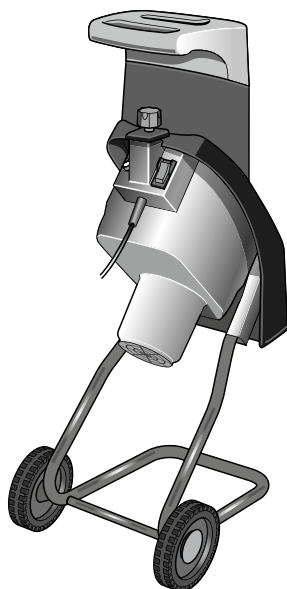


# SKIL®

## SHREDDER 0770 (F0150770..)

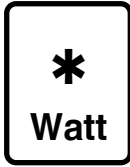


|            |  |    |            |   |    |
|------------|--|----|------------|---|----|
| <b>GB</b>  | ORIGINAL INSTRUCTIONS                    | 7  | <b>UA</b>  | ОРИГІНАЛЬНА ІНСТРУКЦІЯ<br>З ЕКСПЛУАТАЦІЇ  | 50 |
| <b>F</b>   | NOTICE ORIGINALE                         | 9  | <b>GR</b>  | ΠΡΩΤΟΤΥΠΟ ΟΔΗΓΙΩΝ ΧΡΗΣΗΣ                  | 53 |
| <b>D</b>   | ORIGINALBETRIEBSANLEITUNG                | 12 | <b>RO</b>  | INSTRUCȚIUNI DE FOLOSIRE<br>ORIGINALE     | 56 |
| <b>NL</b>  | ORIGINELE GEBRUIKSAANWIJZING             | 15 | <b>BG</b>  | ОРИГИНАЛНО РЪКОВОДСТВО<br>ЗА ЕКСПЛОАТАЦИЯ | 58 |
| <b>S</b>   | BRUKSANVISNING I ORIGINAL                | 18 | <b>SK</b>  | PŮVODNÝ NÁVOD NA POUŽITIE                 | 62 |
| <b>DK</b>  | ORIGINAL BRUGSANVISNING                  | 20 | <b>HR</b>  | ORIGINALNE UPUTE ZA RAD                   | 64 |
| <b>N</b>   | ORIGINAL BRUKSANVISNING                  | 23 | <b>SRB</b> | ORIGINALNO UPUTSTVO ZA RAD                | 67 |
| <b>FIN</b> | ALKUPERÄISET OHJEET                      | 25 | <b>SLO</b> | IZVIRNA NAVODILA                          | 69 |
| <b>E</b>   | MANUAL ORIGINAL                          | 28 | <b>EST</b> | ALGUPÄRANE KASUTUSJUHEND                  | 72 |
| <b>P</b>   | MANUAL ORIGINAL                          | 31 | <b>LV</b>  | ORIĢINĀLĀ LIETOŠANAS PAMĀCĪBA             | 74 |
| <b>I</b>   | ISTRUZIONI ORIGINALI                     | 33 | <b>LT</b>  | ORIGINALI INSTRUKCIJA                     | 77 |
| <b>H</b>   | EREDETI HASZNÁLATI UTASÍTÁS              | 36 | <b>MK</b>  | ИЗБОРНО УПАТСТВО ЗА РАБОТА                | 80 |
| <b>CZ</b>  | PŮVODNÍM NÁVODEM K POUŽÍVÁNÍ             | 39 | <b>AL</b>  | UDHËZIMET ORIGINALE                       | 83 |
| <b>TR</b>  | ORİJİNAL İŞLETME TALİMATI                | 41 | <b>AR</b>  | دليل الاستعمال                            | 90 |
| <b>PL</b>  | INSTRUKCJA ORYGINALNA                    | 44 | <b>FA</b>  | راهنمای اصلی                              | 88 |
| <b>RU</b>  | ПОДЛИННИК РУКОВОДСТВА<br>ПО ЭКСПЛУАТАЦИИ | 46 |            |   |    |

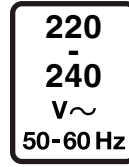
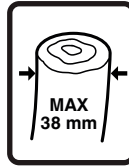
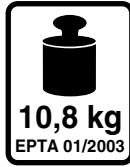
[www.skil.com](http://www.skil.com)



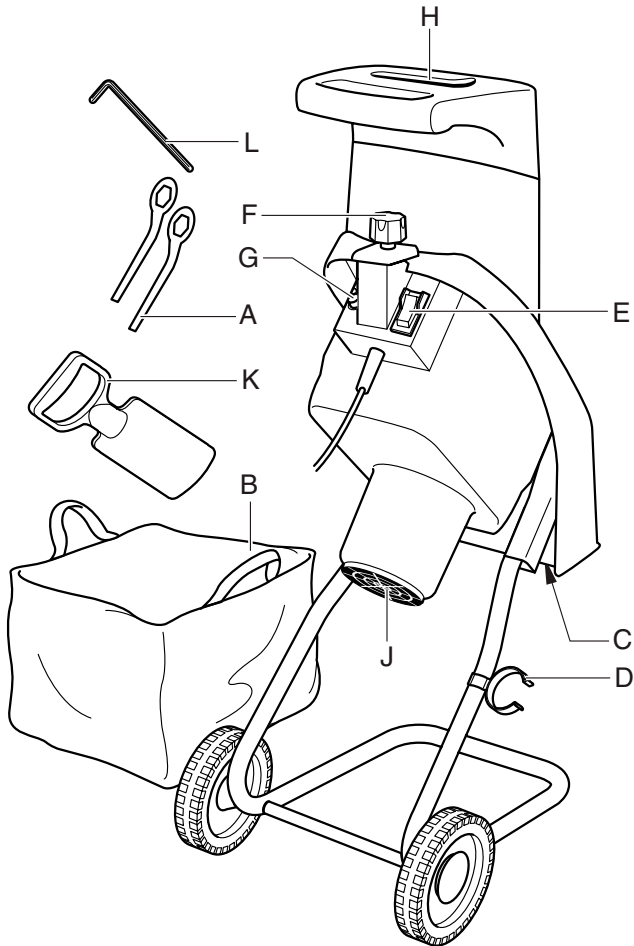
1 0770

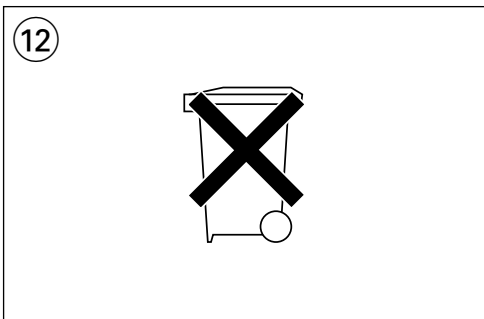
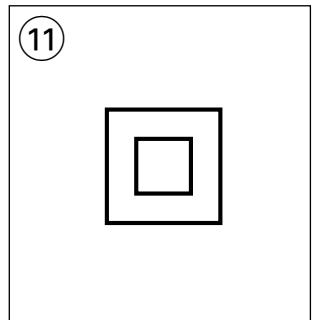
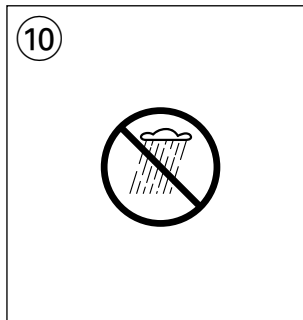
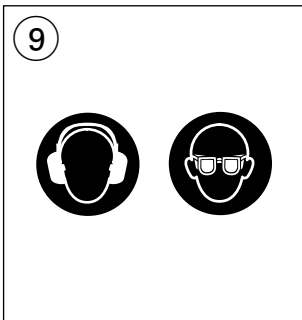
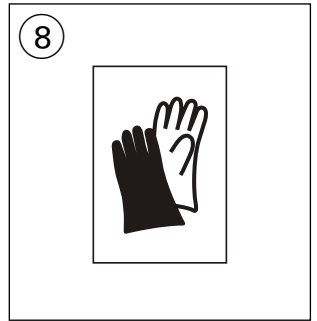
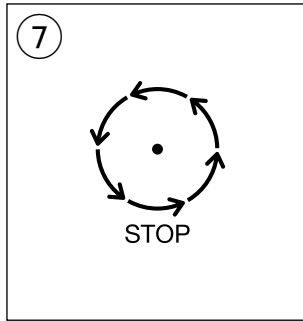
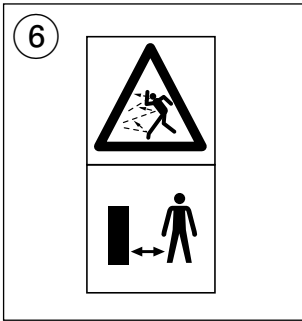
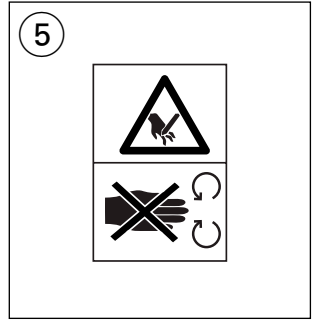
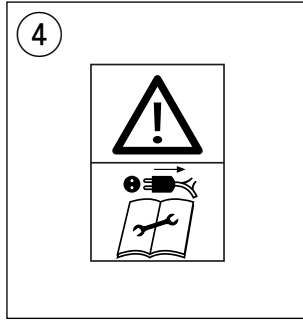
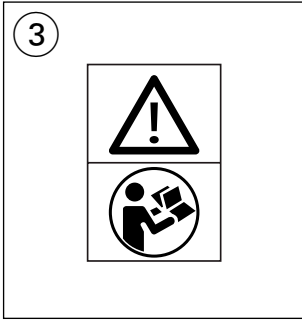


\* S1 - 2000 W  
S6 - 2400 W (P40)

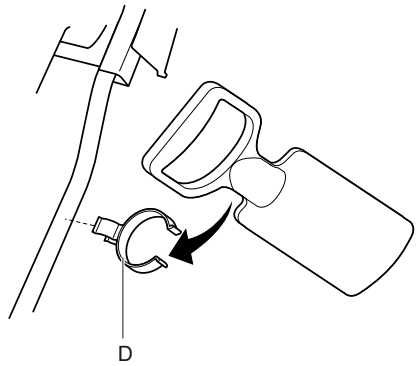
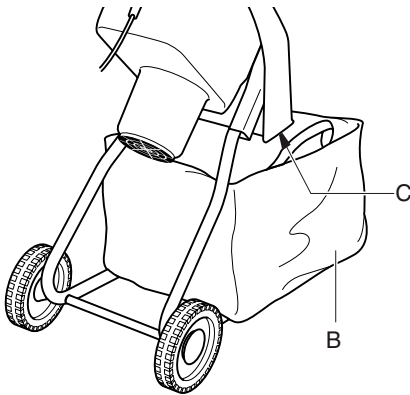
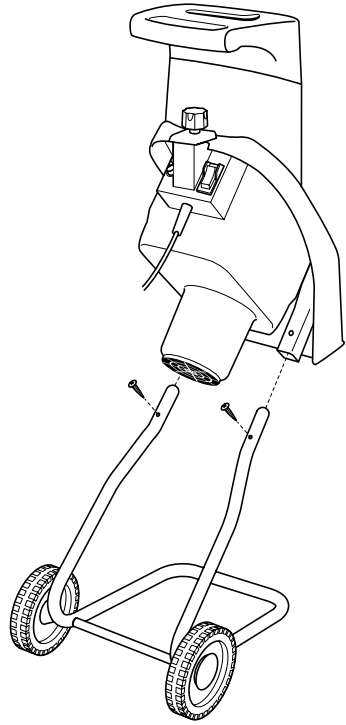
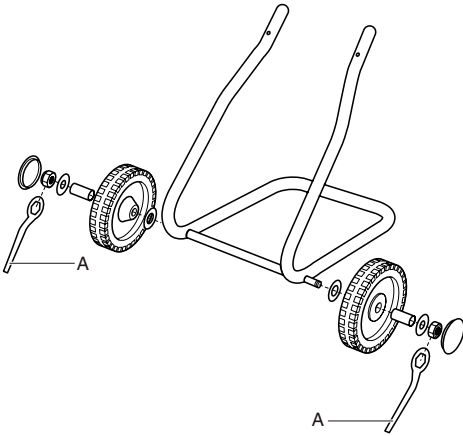


2

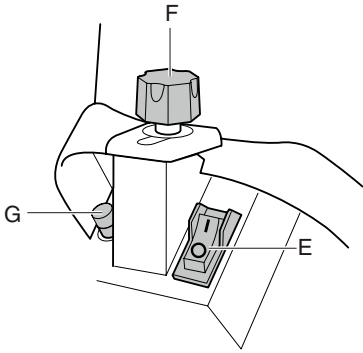




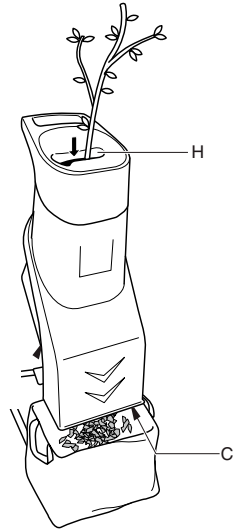
14



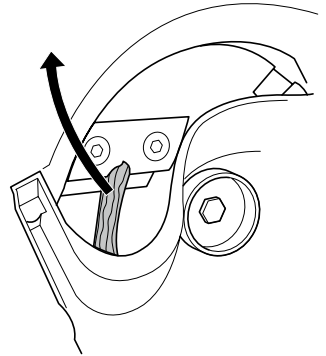
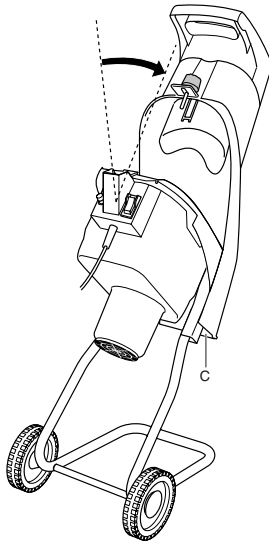
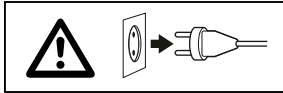
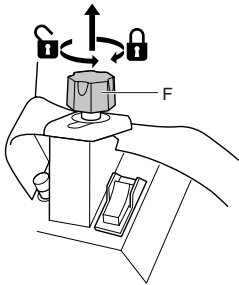
15

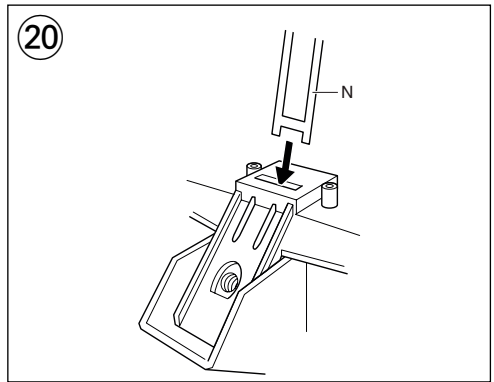
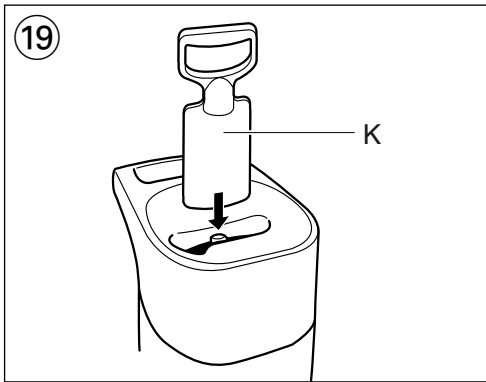
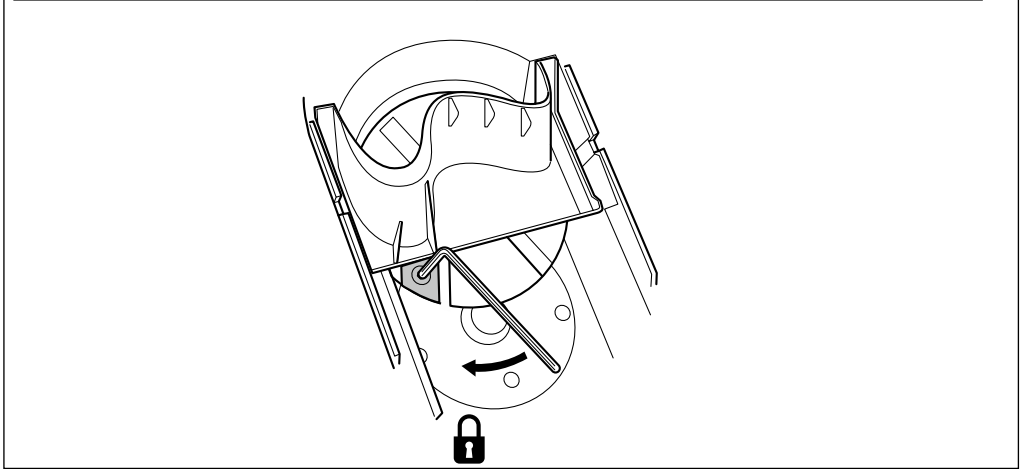
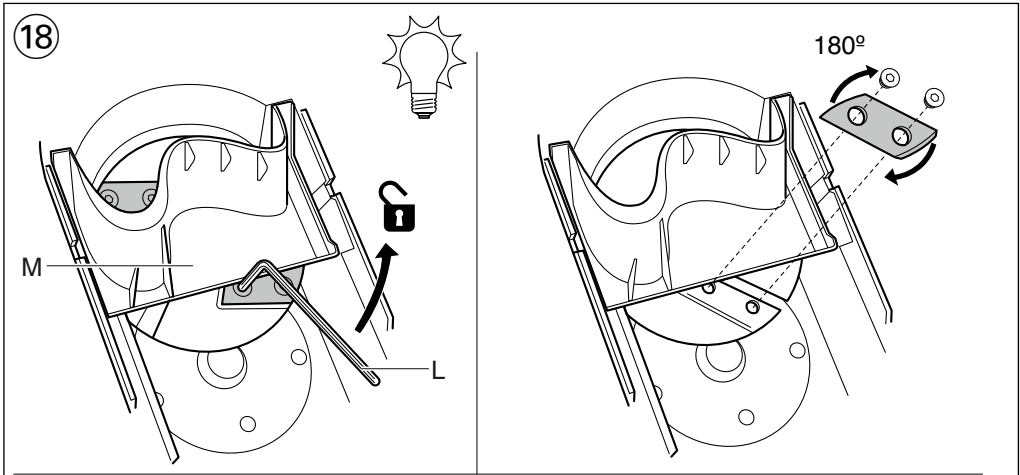


16



17





## Shredder

0770

### INTRODUCTION

- This tool is not intended for professional use
- This tool is intended for cutting fibrous and woody garden waste for composting
- Check whether the packaging contains all parts as illustrated in drawing ②
- When parts are missing or damaged, please contact your dealer
- Read this instruction manual carefully before use and save it for future reference ③
- **Pay special attention to the safety instructions and warnings; failure to follow these may result in serious injury**

### TECHNICAL DATA ①

- \* The S6 operating mode (P40 = 40%) indicates a load profile of 4 min load and 6 min idle time (for practical application, continuous operation is permitted)

### TOOL ELEMENTS ②

- A Wrench (2)
- B Collection bag
- C Outlet
- D Prodder holder
- E On/off switch
- F Securing knob
- G Button for restarting
- H Feed intake opening
- J Ventilation slots
- K Prodder
- L Hex key
- M Metal plate
- N Safety lock

### SAFETY

#### SPECIFIC SAFETY INSTRUCTIONS FOR SHREDDERS

#### EXPLANATION OF SYMBOLS ON TOOL

- ③ Read the instruction manual before use
- ④ **Switch off and disconnect plug before cleaning/maintenance or if (extension) cord is damaged or entangled**
- ⑤ **DANGER** Rotating blades; keep hands out of openings while tool is running
- ⑥ **Pay attention to the risk of injury caused by flying debris** (keep bystanders a safe distance away from work area)
- ⑦ Wait until all moving tool components have come to a complete standstill before touching them
- ⑧ Wear protective gloves
- ⑨ Wear protective glasses and hearing protection
- ⑩ Do not expose tool to rain
- ⑪ Double insulation (no earth wire required)
- ⑫ Do not dispose of the tool together with household waste material

- ⑬ Plugs and sockets situated near the work site or outdoors should be class IP X4 of BS 5490 to provide adequate protection against ingress of water, etc. and cable entries require effective sealing

#### GENERAL

- This tool is not intended for use by persons (including children) with reduced physical, sensory or mental capabilities, or lack of experience and knowledge, unless they have been given supervision or instruction concerning use of the tool by a person responsible for their safety
  - Ensure that children do not play with the tool
  - Be familiar with the controls and the proper use of the tool
  - Never allow children or people who are not familiar with the operating instructions to use the tool (local regulations can restrict the age of the operator)
  - Never operate the tool in the direct vicinity of persons; stop using the tool when persons (especially children) or pets are nearby
  - The user is responsible for accidents or hazards occurring to other people or their property
  - Keep all guards and deflectors in place and in good working condition
  - Always switch off the tool, allow the cutting blade to stop and disconnect the plug
    - whenever leaving the tool unattended
    - before clearing jammed material
    - before checking, cleaning or working on the tool
- ! before mounting or removing the collection bag**

#### ELECTRICAL SAFETY

- Always check that the supply voltage is the same as the voltage indicated on the nameplate of the tool
- Inspect the cord periodically and have it replaced by a qualified person, if damaged
- Inspect the extension cord periodically and replace it, if damaged (**inadequate extension cords can be dangerous**)
- When operating the tool use a residual current device (RCD) with a triggering current of 30 mA maximum
- Only use an extension cord of types H05VV-F or H05RN-F which is intended for outdoor use and equipped with a watertight plug and coupling-socket
- Always switch off tool and disconnect plug from power source if the power supply cord or the extension cord is cut, damaged or entangled (**do not touch the cord before disconnecting the plug**)
- A damaged power cord shall be replaced at a SKIL service centre only in order to avoid a hazard
- Use completely unrolled and safe extension cords with a capacity of 16 Amps (U.K. 13 Amps)
- Protect the (extension) cord from heat, oil and sharp edges
- Do not run over, crush or pull the (extension) cord
- Only use extension cords with a maximum length of 20 metres (1,5 mm<sup>2</sup>) or 50 metres (2,5 mm<sup>2</sup>)

#### PERSONAL SAFETY

- Do not operate the tool when barefoot or wearing open sandals; always wear sturdy shoes and long trousers
- Avoid wearing loose-fitting clothing that is loose-fitting, hanging cords or ties
- Only operate the tool in open space (not too close to a wall or other solid objects) and on a firm, level surface

- Store the tool **indoors** in a dry and locked-up place, out of reach of children

#### BEFORE USE

- Check that all screws, nuts, bolts and other fasteners are properly secured and that guards and screens are in place
- Ensure that the feed intake is empty

#### DURING USE

- Keep your face and body away from the feed intake opening
- Do not allow hands (or any other part of the body) or clothing inside the feed intake opening, outlet opening or near any moving part
- Keep proper balance and footing at all times; do not overreach
- Never stand at a higher level than the base of the tool when feeding material
- Always keep proper distance from the outlet zone when operating the tool
- When feeding material into the tool be extremely careful that pieces of metal, rocks, bottles, cans or other foreign objects are not included
- If the cutting mechanism strikes any foreign object or if the tool should start making any unusual noise or vibration, immediately switch off, allow the cutting blade to stop, disconnect the plug and take the following steps
  - inspect for damage
  - replace or repair any damaged parts
  - check for and tighten any loose parts
- Do not allow processed material to build up in the outlet zone; this may prevent proper discharge which can result in kickback of material through the feed intake opening
- If the tool becomes clogged, switch off, allow the cutting blade to stop and disconnect the plug before clearing debris
- Keep the motor cooling vents clean of debris and other accumulations to prevent damage to the motor or possible fire
- Do not tilt or transport the tool while the motor is running

#### WHEN CONNECTING NEW 3-PIN PLUG (U.K. ONLY):

- Do not connect the blue (= neutral) or brown (= live) wire in the cord of this tool to the earth terminal of the plug
- If for any reason the old plug is cut off the cord of this tool, it must be disposed of safely and not left unattended

## USE

- Assembly instructions ⑭
    - mount wheels with the two wrenches A supplied and assemble tool as illustrated
    - position collection bag B underneath outlet C
    - mount prodder holder D
  - On/off ⑮
    - switch on/off the tool by pushing switch E in "I"/"O" position
- ! after switching off the tool the blade continues to rotate for a few seconds**
- allow the cutting blade to stop rotating before switching on again
- ! the tool will not start unless securing knob F is fully tightened**
- ! do not rapidly switch on and off**

- Restart protection
  - after a power supply failure the tool will not restart on its own
  - use switch E ⑮ for restarting the tool
- Overload protection
 

Overloading (e.g. blocking up the cutting blade) can lead to a standstill of the tool

  - wait a short period before switching on the tool again
  - restart tool by first pushing button G ⑮ and then switch E ⑮
- Shredding ⑯
  - feed the material to be chopped through feed intake opening H
  - only insert as much material so that the feed intake will not be blocked up

**! longer material could lash out when being cut**

**! small pieces of shredded material may be ejected from the feed intake opening**

**! wear safety glasses, hearing protection and protective gloves when using the tool**

  - do not fill soft waste such as kitchen rubbish into the shredder
  - ensure that the chopped material can fall freely from outlet C
  - ensure that ventilation slots J ② will not be covered by the collection bag or the chopped material
  - avoid blocking outlet C with shredded material as this could result in kickback of material through feed intake opening H
- Removing blockage ⑰
 

**! switch off the tool and disconnect the plug**

  - loosen securing knob F and open the tool as illustrated
  - clean the blade area (remove compacted debris with a wooden or plastic implement)
  - also clean outlet C of any debris
  - close the tool and tighten securing knob F firmly
- Reversing/changing cutting blade ⑱
 

**! switch off the tool and disconnect the plug**

  - the cutting blade has a cutting edge on both sides; so if one side has become blunt, the other side can be used
  - replace the cutting blade when both sides are blunt (SKIL spare part number 261OZ02553, marked YAT 8231-545201)
  - loosen securing knob F and open the tool as illustrated
  - loosen both blade bolts with hex key L while using metal plate M as support
  - reverse and mount the cutting blade as illustrated
  - tighten both blade bolts with hex key L while using metal plate M as support
  - close the tool and tighten securing knob F firmly

## APPLICATION ADVICE

- For best results shred fresh branches soon after they have been cut
- Use prodder K for feeding soft material ⑲
- Shred soft garden waste in smaller loads, particularly when wet
- Blockages can be avoided by intermittently shredding branches



## MAINTENANCE / SERVICE

- This tool is not intended for professional use
- Maintain the tool with care and keep it clean
  - always ensure that the ventilation openings are kept clear of debris
- ! **disconnect the plug before cleaning**
- Regularly check for defects such as loose, dislodged or damaged blade, loose fixings, and worn or damaged components
- Have worn or damaged parts replaced for safety reasons
- Avoid bending safety lock N 20 which may cause disfunctioning of the tool
- Always switch off the tool, allow the cutting blade to stop, disconnect the plug and allow the tool to cool down before inspecting, adjusting, servicing, and/or storing the tool
- Store the tool indoors in a dry place
- When servicing the shredding unit be aware that, even though the motor will not start due to the safety-lock feature of the guard, the shredding unit can still be moved by hand
- If the tool should fail despite the care taken in manufacturing and testing procedures, repair should be carried out by an after-sales service centre for SKIL power tools
  - send the tool **undismantled** together with proof of purchase to your dealer or the nearest SKIL service station (addresses as well as the service diagram of the tool are listed on [www.skil.com](http://www.skil.com))

## ENVIRONMENT

- **Do not dispose of electric tools, accessories and packaging together with household waste material** (only for EU countries)
  - in observance of European Directive 2012/19/EC on waste of electric and electronic equipment and its implementation in accordance with national law, electric tools that have reached the end of their life must be collected separately and returned to an environmentally compatible recycling facility
  - symbol ⑫ will remind you of this when the need for disposing occurs

## DECLARATION OF CONFORMITY CE

- We declare under our sole responsibility that the product described under "Technical data" is in conformity with the following standards or standardization documents: EN 60335, EN 13683, EN 61000, EN 55014 in accordance with the provisions of the directives 2006/95/EC, 2004/108/EC, 2006/42/EC, 2000/14/EC, 2011/65/EU
- **Technical file at:** SKIL Europe BV (PT-SEU/ENG1), 4825 BD Breda, NL

Marijn van der Hoofden  
Operations & Engineering

Olaf Dijkgraaf  
Approval Manager

SKIL Europe BV, 4825 BD Breda, NL

19.12.2013

CE11

## NOISE

- Measured in accordance with 2000/14/EC (EN/ISO 3744) the guaranteed sound power level LWA is lower than 113 dB(A) (conformity assessment procedure according to Annex V)  
Notified body : KEMA, Arnhem, NL  
Notified body identification number : 0344

F

## Broyeur

0770

## INTRODUCTION

- Cet outil n'est conçu pour un usage professionnel
- Cet outil a pour objectif de couper les déchets de bois et de fibres pour le compostage
- Vérifiez que le conditionnement contient toutes les pièces présentées dans le schéma ②
- Lorsque des pièces manquent ou sont endommagées, veuillez contacter votre distributeur
- Lisez attentivement ce manuel d'instruction avant d'utiliser l'outil et conservez-le pour pouvoir vous y référer ultérieurement ③
- **Prêtez attention aux consignes de sécurité et aux avertissements; ne pas suivre ces instructions peut entraîner des graves blessures**

## CARACTERISTIQUES TECHNIQUES ①

- \* Le mode de service S6 (P40 = 40%) désigne un profil de charge supposant une charge de 4 min et une marche à vide de 6 min (pour une utilisation dans la pratique, un service permanent est possible)

## ELEMENTS DE L'OUTIL ②

- A Clé (2)
- B Bac récolteur
- C Sortie
- D Support de sonde
- E Interrupteur marche/arrêt
- F Bouton de protection
- G Bouton de redémarrage
- H Ouverture d'alimentation
- J Fentes de ventilation
- K Sonde
- L Clé hexagonale
- M Plaque métallique
- N Blocage de sécurité

## SECURITE

### INSTRUCTIONS SPECIFIQUES DE SECURITE RELATIVES AUX BROyeurs

### EXPLICATION DES SYMBOLES SUR L'OUTIL

- ③ **Veuillez lire le mode d'emploi avant d'utiliser l'outil**
- ④ **Arrêtez et débranchez la fiche avant tout nettoyage/ toute maintenance ou si le câble (la rallonge) est endommagé(e) ou entremêlé(e)**

- ⑤ **DANGER** Lames rotatives; tenez les mains à l'écart des ouvertures lorsque l'outil fonctionne
- ⑥ **Soyez attentif au risque de blessures engendré par des particules qui volent en éclat** (tenez les badauds à bonne distance de la zone de travail)
- ⑦ Attendez que toutes les parties mobiles de l'outil soient complètement immobilisées avant de les toucher
- ⑧ Portez des gants de protection
- ⑨ Utilisez des lunettes de protection et des casques anti-bruit
- ⑩ N'exposez pas l'outil à l'humidité
- ⑪ Double-isolation (ne nécessite pas de mise à la terre)
- ⑫ Ne jetez pas l'outil dans les ordures ménagères
- ⑬ Les fiches et prises situées à proximité du site de travail ou à l'extérieur doivent être de classe IP X4 ou BS 5490 afin de fournir une protection appropriée contre l'entrée d'eau, etc. et les entrées de câble nécessitent un scellage efficace

### GENERALITES

- Cet outil n'a pas été conçu pour être utilisé par des personnes (y compris des enfants) dont les capacités physiques, sensorielles ou mentales sont réduites, ou manquant d'expérience ou de connaissances, excepté si elles ont fait l'objet d'une surveillance ou ont reçu des instructions concernant l'utilisation de l'outil par une personne responsable de leur sécurité
- Veillez à ce que les enfants ne jouent pas avec l'outil
- Familiarisez-vous avec les commandes et le bon fonctionnement de l'outil
- Ne laissez jamais d'enfants ou de personnes ne connaissant pas les instructions de fonctionnement employer l'outil (certaines réglementations locales peuvent limiter l'âge de l'utilisateur)
- Ne faites jamais fonctionner l'outil à proximité immédiate de personnes ; arrêtez de l'utiliser lorsque des personnes (surtout des enfants) ou des animaux se trouvent à proximité
- L'utilisateur est responsable des accidents ou dangers qu'encourent d'autres personnes ou leurs biens
- Gardez toutes les protections et les déflecteurs en place et en bon état de marche
- Arrêtez toujours l'outil, laissez la lame de coupe s'arrêter et débranchez la fiche
  - lorsque vous laissez l'outil sans surveillance
  - avant d'enlever des matières coincées
  - avant de vérifier, nettoyer ou travailler sur l'outil

### ! avant le montage ou le retrait du bac récolteur

### SECURITE RELATIVE AU SYSTEME ELECTRIQUE

- Contrôlez toujours si la tension secteur correspond à la tension indiquée sur la plaquette signalétique de l'outil
- Contrôlez régulièrement l'état du câble et faites-le remplacer par un technicien qualifié au besoin
- Vérifiez de temps en temps la rallonge et remplacez-la si elle est endommagée (**des allonges inappropriées peuvent être dangereuses**)
- Lors de l'utilisation de l'outil dans des environnements humides, utilisez un interrupteur différentiel avec un courant de réaction de 30 mA maximum
- Utilisez uniquement une rallonge spéciale de type H05VV-F ou H05RN-F pour l'extérieur et équipée d'une fiche et d'une prise de raccordement étanches

- Eteignez toujours l'outil et débranchez la fiche de l'alimentation si le câble d'alimentation ou la rallonge est coupé, endommagé ou entremêlé (**ne touchez pas le câble avant de débrancher la fiche**)
- Un câble d'alimentation endommagé ne pourra être remplacé que par le centre de service SKIL pour éviter tout danger
- Utilisez un câble de prolongement complètement déroulé et de bonne qualité d'une capacité de 16 A
- Protégez le câble/la rallonge de la chaleur, de l'huile et des arêtes vives
- N'écrasez pas, ne coinciez pas et ne tirez pas sur le câble/la rallonge
- Utilisez uniquement des rallonges d'une longueur maximale de 20 mètres (1,5 mm<sup>2</sup>) ou de 50 mètres (2,5 mm<sup>2</sup>)

### SECURITE DES PERSONNES

- Ne faites pas fonctionner l'outil si vous êtes pieds nus ou si vous portez des sandales ouvertes; portez toujours des chaussures robustes et de longs pantalons
- Évitez de porter des vêtements amples, avec des cordelettes ou des cravates
- Faites uniquement fonctionner l'outil dans un espace ouvert (pas trop près d'un mur ou d'autres objets solides) et sur une surface stable et de niveau
- Rangez l'outil à l'intérieur dans un endroit sec et fermer à clé, hors de la portée des enfants

### AVANT L'USAGE

- Veillez à ce que toutes les vis, les boulons, les écrous et autres attaches soient bien fixés et à ce que les protections et les écrans soient en place
- Veillez à ce que l'ouverture d'alimentation soit vide

### PENDANT L'USAGE

- Tenez le visage et le corps à l'écart de l'ouverture d'alimentation
- Ne laissez pas les mains (ou toute autre partie du corps), tout vêtement pénétrer dans l'ouverture d'alimentation, l'ouverture de sortie ou près d'une pièce mobile
- Gardez à tout moment un bon équilibre; ne tendez pas le bras trop loin
- Ne vous placez jamais plus haut que la base de l'outil lorsque vous l'alimentez
- Tenez-vous à tout moment bien à l'écart de la zone de sortie lorsque l'outil fonctionne
- Lorsque vous mettez des matériaux dans l'outil, veillez particulièrement à ne pas y mettre de morceaux de métal, des pierres, des bouteilles, des boîtes ou autres objets étrangers
- Si le mécanisme de broyage heurte un objet étranger ou si l'outil commence à faire un bruit, une vibration bizarre, coupez immédiatement l'outil, laissez la lame de coupe s'arrêter, déconnectez la fiche et procédez comme suit
  - vérifiez si des détériorations se sont produites
  - remplacez ou réparez les pièces défectueuses éventuelles
  - vérifiez s'il y a des pièces desserrées et resserrez-les
- Ne laissez pas les matériaux traités s'accumuler dans la zone de sortie ; ceci peut gêner l'évacuation et entraîner un retour des matériaux par l'ouverture d'alimentation
- Si l'outil est obstrué, coupez-le, laissez la lame de coupe s'arrêter et déconnectez la fiche avant de nettoyer les débris

- Gardez les événements de refroidissement dégagés de tout débris ou autres accumulations pour éviter tout dégât au moteur ou incendie éventuel
- Ne renversez pas ou ne transportez pas l'outil lorsque le moteur tourne

## UTILISATION

- Instructions de montage <sup>(14)</sup>
  - montez les roues avec les deux clés A fournies et assemblez l'outil comme illustré
  - placez le bac récolteur B sous la sortie C
  - montez le support de sonde D
- Marche/arrêt <sup>(15)</sup>
  - mettez en marche/arrêtez l'outil en poussant l'interrupteur E dans la position "I"/"O"
  - ! **après avoir coupé l'outil, la lame continue à tourner durant quelques secondes**
  - laissez la lame de coupe s'arrêter de tourner avant de reconnecter l'outil
  - ! **l'outil ne démarrera pas à moins que le bouton de protection F soit bien serré**
  - ! **ne mettez pas rapidement en marche et à l'arrêt**
- Protection contre le redémarrage
  - après une panne de courant, l'outil ne redémarre pas tout seul
  - utilisez l'interrupteur E <sup>(15)</sup> pour relancer l'outil
- Protection contre les surcharges
 

Une surcharge (par exemple, le blocage de la lame de coupe) peut entraîner une mise à l'arrêt de l'outil

  - attendez brièvement avant de relancer l'outil
  - relancez l'outil d'abord à l'aide du bouton poussoir G <sup>(15)</sup> et ensuite de l'interrupteur E <sup>(15)</sup>
- Broyage <sup>(16)</sup>
  - alimentez le matériel à broyer par l'ouverture d'alimentation H
  - insérez uniquement la quantité de matériel qu'il faut pour ne pas bloquer l'alimentation
  - ! **le matériel trop long pourrait fouetter et blesser lors de la coupe**
  - ! **de petits morceaux de matériel broyé peuvent être éjectés par l'ouverture d'alimentation**
  - ! **portez des lunettes de sécurité, des protections auditives et des gants de protection lors de l'utilisation de l'outil**
  - ne remplissez pas le broyeur de déchets tendres, notamment des déchets de cuisine
  - veillez à ce que le matériel broyé puisse tomber sans encombre par la sortie C
  - veillez à ce que les fentes de ventilation J <sup>(2)</sup> ne soient pas recouvertes par le bac récolteur ou du matériel broyé
  - évitez de bloquer la sortie C avec du matériel broyé, car il en résulterait un retour du matériel par l'ouverture d'alimentation H
- Retrait du blocage <sup>(17)</sup>
  - ! **arrêtez l'outil et débranchez la prise**
  - desserrez le bouton de protection F et ouvrez l'outil comme indiqué
  - nettoyez la zone de la lame (enlevez les débris agglomérés avec un outil en bois ou en plastique)
  - nettoyez aussi la sortie C de tout débris
  - nettoyez l'outil et serrez à fond le bouton F de protection

- Changement/inversion de la lame de coupe <sup>(18)</sup>
  - ! **arrêtez l'outil et débranchez la prise**
  - la lame de coupe a un bord coupant sur les deux côtés; ainsi si un côté est émoussé, l'autre côté peut être utilisé
  - remplacez la lame de coupe lorsque les deux côtés sont émoussés (numéro de pièce de rechange SKIL 2610Z02553, avec indication YAT 8231-545201)
  - desserrez le bouton de protection F et ouvrez l'outil comme indiqué
  - desserrez les deux boulons de la lame à l'aide d'une clé hexagonale L en utilisant la plaque métallique M comme support
  - inversez et montez la lame de coupe comme indiqué
  - serrez les deux boulons de la lame à l'aide d'une clé hexagonale L en utilisant la plaque métallique M comme support
  - nettoyez l'outil et serrez à fond le bouton F de protection


## CONSEILS D'UTILISATION

- Pour obtenir les meilleurs résultats, broyez les branches fraîches dès qu'elles ont été coupées
- Utilisez la sonde K pour alimenter en matériel tendre <sup>(19)</sup>
- Broyez les déchets de jardin tendres en charges plus réduites, surtout lorsqu'ils sont mouillés
- On peut éviter les blocages en broyant des branches par intermittence

## ENTRETIEN / SERVICE APRES-VENTE

- Cet outil n'est pas conçu pour un usage professionnel
- Entretenez l'outil avec soin et gardez-le propre
  - assurez-vous que les fentes de ventilation soient toujours dégagées d'éventuels débris
  - ! **débranchez la fiche avant le nettoyage**
- Vérifiez régulièrement s'il y a des problèmes, notamment si la lame est desserrée, disloquée ou endommagée, si les fixations sont desserrées et les pièces usées ou abîmées
- Remplacez les pièces usées ou endommagées pour plus de sécurité
- Évitez de plier le blocage de sécurité N <sup>(20)</sup>, ce qui peut provoquer un mauvais fonctionnement de l'outil
- Coupez toujours l'outil, laissez la lame de coupe s'arrêter, débranchez la fiche et laissez l'outil refroidir avant d'inspecter, de régler, d'entretenir et/ou de ranger l'outil
- Entrez l'outil dans un endroit sec
- Lors de la maintenance du broyeur, soyez conscient du fait que, même si le moteur ne démarre pas en raison du blocage de sécurité de la protection, le broyeur peut encore être actionné à la main
- Si, malgré tous les soins apportés à la fabrication et au contrôle de l'outil, celui-ci devait avoir un défaut, la réparation ne doit être confiée qu'à une station de service après-vente agréée pour outillage SKIL
  - retournez l'outil **non démonté** avec votre preuve d'achat au revendeur ou au centre de service après-vente SKIL le plus proche (les adresses ainsi que la vue éclatée de l'outil figurent sur [www.skil.com](http://www.skil.com))

## ENVIRONNEMENT

- **Ne jetez pas les outils électriques, les accessoires et l'emballage dans les ordures ménagères** (pour les pays européens uniquement)
  - conformément à la directive européenne 2012/19/EG relative aux déchets d'équipements électriques ou électroniques, et à sa transposition dans la législation nationale, les outils électriques usés doivent être collectés séparément et faire l'objet d'un recyclage respectueux de l'environnement
  - le symbole  vous le rappellera au moment de la mise au rebut de l'outil

## DÉCLARATION DE CONFORMITÉ CE

- Nous déclarons sous notre propre responsabilité que le produit décrit sous "Caractéristiques techniques" est en conformité avec les normes ou documents normatifs suivants: EN 60335, EN 13683, EN 61000, EN 55014 conformément aux termes des réglementations en vigueur 2006/95/CE, 2004/108/CE, 2006/42/CE, 2000/14/CE, 2011/65/UE
- **Dossier technique auprès de:** SKIL Europe BV (PT-SEU/ENG1), 4825 BD Breda, NL

Marijn van der Hoofden  
Operations & Engineering

Olaf Dijkgraaf  
Approval Manager



SKIL Europe BV, 4825 BD Breda, NL

19.12.2013

CE11

## BRUIT



- Mesuré selon 2000/14/CE (EN/ISO 3744) le niveau de la puissance sonore garanti LWA est inférieur à 113 dB(A) (procédures d'évaluation de la conformité conformément à l'annexe V)  
Organisme notifié : KEMA, Arnhem, NL  
Numéro d'identification de l'organisme notifié : 0344

D

## Gartenhäcksler

0770

## EINLEITUNG

- Dieses Werkzeug eignet sich nicht für den professionellen Einsatz
- Dieses Werkzeug dient dazu, faserige Gartenabfälle und Holz aus dem Garten für die Kompostierung zu zerkleinern
- Sicherstellen, dass die Packung alle in der Zeichnung  abgebildeten Teile enthält
- Wenn Teile fehlen oder beschädigt sind, wenden Sie sich an Ihren Händler
- Bitte diese Bedienungsanleitung sorgfältig durchlesen und aufbewahren 
- **Achten Sie besonders auf die Sicherheits- und Warnhinweise; ihre Nichtbeachtung kann schwere Verletzungen nach sich ziehen**

## TECHNISCHE DATEN

- **\*** Die Betriebsart S6 (P40 = 40%) bezeichnet ein Belastungsprofil, das 4 min Belastung und 6 min Leerlauf annimmt (für den praktischen Einsatz ist Dauerbetrieb zulässig)












## WERKZEUGKOMPONENTEN

- A Schlüssel (2)
- B Laubfangbeutel
- C Häckselgutausgabe
- D Halterung für Stopfer
- E Ein/Aus-Schalter
- F Sicherheitsknopf
- G Knopf für das erneute Einschalten
- H Einschuböffnung
- J Lüftungsschlitze
- K Stopfer
- L Sechskantschlüssel
- M Metallplatte
- N Sicherheitsarretierung

## SICHERHEIT

### Spezifische Sicherheitsanweisungen für Gartenhäcksler

#### ERKLÄRUNG DER SYMBOLE AUF DEM WERKZEUG

-  **Die Bedienungsanleitung vor dem Gebrauch lesen**
-  **Werkzeug abschalten und Stecker ziehen vor dem Reinigen/der Wartung oder wenn das (Verlängerungs-)Kabel beschädigt oder verheddert ist**
-  **VORSICHT** Drehende Messer; schieben Sie Ihre Hände nicht in Öffnungen, wenn das Werkzeug läuft
-  **Auf das Risiko von Verletzungen durch fliegende Schutzpartikeln achten** (Sicherheitsabstand zu Umstehenden halten)
-  Warten Sie, bis alle Werkzeugkomponenten vollständig stillstehen, bevor Sie sie berühren
-  Schutzhandschuhe tragen
-  Schutzbrille und Gehörschutz tragen
-  Das Werkzeug niemals dem Regen aussetzen
-  Doppelte Isolierung (kein Erdleiter erforderlich)
-  Das Werkzeug nicht in den Hausmüll werfen
-  Stecker und Kupplungen in der Nähe der Arbeitsstelle bzw. im Freien sollten die Schutzklasse IP X4 von BS 5490 besitzen, um ausreichenden Schutz vor dem Eindringen von Wasser usw. zu gewährleisten, und Kabeleingänge benötigen eine effektive Abdichtung

#### ALLGEMEINES

- Dieses Werkzeug ist nicht dafür bestimmt durch Personen (einschließlich Kinder) mit eingeschränkten physischen, sensorischen oder geistigen Fähigkeiten, oder mangelnder Erfahrung und Wissen, benutzt zu werden; es sei denn, sie werden durch eine für ihre Sicherheit zuständige Person beaufsichtigt oder erhalten von ihr Anweisungen, wie das Werkzeug zu benutzen ist
- Stellen Sie sicher, dass Kinder nicht mit dem Werkzeug spielen
- Machen Sie sich mit den Bedienelementen und der richtigen Verwendung vertraut

- Niemals Kinder oder Personen, die nicht mit der Bedienung/Bedienungsanleitung vertraut sind, das Werkzeug verwenden lassen (lokal können Vorschriften bezüglich des Alters des Benutzers gelten)
- Das Werkzeug nie in unmittelbarer Nähe von Personen (insbesondere von Kindern) und Tieren benutzen, ggf. das Werkzeug ausschalten
- Der Benutzer ist für entstehende Unfälle mit Dritten oder auftretende Gefahren für deren Eigentum verantwortlich
- Lassen Sie alle Schutz-, Ablenk- und Abschirmvorrichtungen montiert und halten Sie sie in funktionstüchtigem Zustand
- Schalten Sie das Werkzeug immer aus, lassen Sie das Messer anhalten und ziehen Sie den Stecker
  - wenn das Werkzeug unbeaufsichtigt ist
  - vor dem Entfernen von festsitzendem Material
  - vor dem Inspizieren und Reinigen des Werkzeugs oder vor Arbeiten an dem Werkzeug

**! bevor Sie die Auffangtasche anbringen oder entfernen**

#### ELEKTRISCHE SICHERHEIT

- Stets nachprüfen, daß die Netzspannung mit der auf dem Typenschild des Werkzeuges angegebenen Spannung übereinstimmt
- Das Kabel regelmäßig kontrollieren und ein beschädigtes Kabel von einem anerkannten Elektrofachmann ersetzen lassen
- Das Verlängerungskabel regelmäßig inspizieren und bei Beschädigung austauschen (**unzulängliche Kabel können gefährlich sein**)
- Bei der Verwendung des Werkzeugs in feuchten Umgebungen einen Fehlerstrom- (FI) Schutzschalter mit einem Auslösestrom von max. 30 mA verwenden
- Nur ein Verlängerungskabel des Typs H05VV-F oder H05RN-F benutzen, das für die Anwendung im Freien vorgesehen und mit wasserfesten Steckern und Kupplungen versehen ist
- Werkzeug immer ausschalten und Stecker aus der Netzsteckdose ziehen, wenn das Netz- oder Verlängerungskabel durchtrennt oder beschädigt wird oder sich verfangen hat (**das Kabel nicht anfassen, bevor der Stecker gezogen wurde**)
- Ein beschädigtes Stromkabel sollte nur bei einem SKIL-Kundendienst ausgetauscht werden, um Gefahren zu vermeiden
- Bei Benutzung von Verlängerungskabeln ist darauf zu achten, daß das Kabel vollständig abgerollt ist und eine Kapazität von 16 A hat
- Das (Verlängerungs-) Kabel vor Hitze, Öl und scharfen Kanten schützen
- Nicht auf das (Verlängerungs-) Kabel treten, darüber fahren, es knicken oder daran ziehen
- Nur Verlängerungskabel mit einer maximalen Länge von 20 m (1,5 mm<sup>2</sup>) oder 50 m (2,5 mm<sup>2</sup>) verwenden

#### SICHERHEIT VON PERSONEN

- Das Werkzeug nicht barfuß oder mit offenen Sandalen verwenden; stets feste Schuhe und lange Hosen tragen
- Tragen Sie keine weite, lose Kleidung und vermeiden Sie hängende Kordeln oder Krawatten
- Benutzen Sie das Werkzeug nur im offenen Gelände (nicht zu nah an einer Wand oder bei anderen festen Objekten) und auf einem festen, ebenen Untergrund

- Das Werkzeug **drinnen** an trockener und abgesperrter Stelle, für Kinder unzugänglich, lagern

#### VOR DER ANWENDUNG

- Prüfen Sie alle Schrauben, Muttern, Bolzen und andere Befestigungselemente auf festen Sitz und stellen Sie sicher, dass alle Schutzabdeckungen sowie Ablenk- und Abschirmvorrichtungen angebracht sind
- Achten Sie darauf, dass die Einschuböffnung leer ist

#### WÄHREND DER ANWENDUNG

- Halten Sie Ihr Gesicht und Ihren Körper von der Einschuböffnung fern
- Schieben Sie Ihre Hände (und andere Körperteile) und Ihre Bekleidung nicht in die Einschuböffnung, in die Häckselgutausgabe oder in die Nähe beweglicher Teile
- Achten Sie stets auf Ihr Gleichgewicht und auf sicheren Stand; übernehmen Sie sich nicht
- Stehen Sie beim Einschieben des Materials nie höher als das Grundgestell des Werkzeugs
- Halten Sie bei der Bedienung des Werkzeugs stets etwas Abstand zur Häckselgutausgabe
- Achten Sie beim Bestücken des Werkzeugs sorgfältig darauf, keine Metallstücke, Steine, Flaschen, Dosen oder andere Fremdkörper einzuschieben
- Wenn das Messer auf solche Objekte treffen oder das Werkzeug ungewöhnliche Geräusche oder Vibrationen aufweisen sollte, schalten Sie es sofort aus, lassen Sie das Messer anhalten, ziehen Sie den Stecker und führen Sie die folgenden Schritte aus
  - auf Schaden prüfen
  - beschädigte Teile austauschen oder reparieren
  - auf lose Teile überprüfen und diese ggf. befestigen
- Lassen Sie das verarbeitete Material im Häckselgutausgabebereich nicht zu sehr anwachsen; dadurch kann die weitere Ausgabe von Schnittmaterial verhindert werden, wodurch Material durch die Einschuböffnung zurückgeschleudert werden kann
- Wenn das Werkzeug verstopft, schalten Sie es aus, lassen Sie das Messer anhalten und ziehen Sie den Stecker, bevor Sie Material entfernen
- Halten Sie die Lüftungsschlitze für die Motorkühlung frei von Abfall und anderen Ansammlungen, um einen Motorschaden oder einen möglichen Brand zu verhindern
- Neigen Sie das Werkzeug nicht und transportieren Sie es nicht während der Motor läuft

#### BEDIENUNG

- Montageanleitung <sup>14</sup>
    - montieren Sie die Räder wie abgebildet mit den zwei mitgelieferten Schlüsseln A und dem Montagewerkzeug
    - stellen Sie die Auffangtasche B unter die Häckselgutausgabe C
    - montieren Sie die Halterung für den Stopfer D
  - Ein-/Aus-Schalten <sup>15</sup>
    - Werkzeug durch Drücken des Ein-/Aus-Schalters E in die Position "I"/"O" ein-/ausschalten
- ! nach dem Ausschalten bewegt sich das Messer noch einige Sekunden**
- warten Sie, bis sich das Messer nicht mehr dreht, bevor Sie das Werkzeug wieder einschalten

- ! **das Werkzeug lässt sich nicht einschalten, wenn der Sicherheitsknopf F nicht fest angezogen ist**
- ! **das Werkzeug nicht schnell hintereinander ein- und ausschalten**
- Wiedereinschaltenschutz
  - nach einem Stromausfall schaltet sich das Werkzeug nicht selbsttätig wieder ein
  - drücken Sie den Schalter E 15, um das Werkzeug wieder einzuschalten
- Überlastungsschutz
  - Überlastung (z. B. durch Blockierung des Schneidmessers) kann zu einem Stillstand des Werkzeugs führen
  - warten Sie einen kurzen Moment, bevor Sie das Werkzeug erneut einschalten
  - schalten Sie das Werkzeug wieder ein, indem Sie zuerst den Knopf G 15 und dann den Schalter E 15 drücken
- Häckseln 16
  - schieben Sie das zu häckselnde Material in die Einschuböffnung H
  - schieben Sie nur so viel Material ein, dass die Einschuböffnung nicht verstopft
  - ! **längeres Material wird beim Häckseln möglicherweise plötzlich herumgeworfen**
  - ! **kleine Teile des gehäckselten Materials können aus der Einschuböffnung geschleudert werden**
  - ! **tragen Sie bei der Verwendung des Werkzeugs eine Schutzbrille, einen Gehörschutz und Schutzhandschuhe**
  - füllen Sie keine weichen Materialien wie Küchenabfälle in den Häcksler
  - achten Sie darauf, dass das zerkleinerte Material ungehindert aus der Häckselgutausgabe fallen kann C
  - stellen Sie sicher, dass die Belüftungsschlitze J 2 nicht von der Auffangtasche oder dem gehäckselten Material verdeckt werden
  - vermeiden Sie die Häckselgutausgabe C mit gehäckseltem Material zu blockieren; das könnte dazu führen, dass Material aus der Einschuböffnung H geschleudert wird
- Entfernen des Blockaden 17
  - ! **das Werkzeug ausschalten und den Netzstecker ziehen**
  - lösen Sie den Sicherheitsknopf F und öffnen Sie das Werkzeug wie abgebildet
  - reinigen Sie den Messerbereich (entfernen Sie verdichtetes Material mit einem Werkzeug aus Holz oder Plastik)
  - entfernen Sie auch alles Material aus der Ausgabe C
  - schließen Sie das Werkzeug und ziehen Sie den Sicherheitsknopf F fest
- Umdrehen/Austauschen des Messers 18
  - ! **das Werkzeug ausschalten und den Netzstecker ziehen**
  - das Messer ist ein doppelseitiges Messer; wenn eine Seite abgestumpft ist, kann die andere Seite benutzt werden
  - tauschen Sie das Messer aus, wenn beide Seiten abgestumpft sind (SKIL-Ersatzteilnummer 2610Z02553, mit der Markierung YAT 8231-545201)

- lösen Sie den Sicherheitsknopf F und öffnen Sie das Werkzeug wie abgebildet
- lösen Sie beide Messerschrauben mit einem Sechskantschlüssel L; verwenden Sie dabei zur Unterstützung die Metallplatte M
- drehen Sie das Messer um und montieren Sie es wie abgebildet
- ziehen Sie die beiden Messerschrauben mit einem Sechskantschlüssel L an; verwenden Sie dabei zur Unterstützung die Metallplatte M
- schließen Sie das Werkzeug und ziehen Sie den Sicherheitsknopf F fest


## ANWENDUNGSHINWEISE

- Häckseln Sie für beste Ergebnisse frische Zweige bald nachdem sie geschnitten wurden
- Verwenden Sie den Stopfer K, um weiches Material einzuschieben 19
- Häckseln Sie weiche Gartenabfälle in kleineren Mengen, insbesondere wenn sie feucht sind
- Blockaden können vermieden werden, indem zwischendurch Zweige gehäckselt werden

## WARTUNG / SERVICE

- Dieses Werkzeug eignet sich nicht für den professionellen Einsatz
- Pflegen Sie das Werkzeug sorgfältig und halten Sie es sauber
  - immer darauf achten, dass die Lüftungsschlitze frei von Schmutz sind
- ! **Netzstecker vor dem Säubern ziehen**
- Prüfen Sie das Werkzeug regelmäßig auf lockere, verschobene oder beschädigte Schneidmesser, lose Befestigungen und verschlissene oder beschädigte Bauteile
- Lassen Sie verschlissene oder beschädigte Teile aus Sicherheitsgründen austauschen
- Verbiegen Sie nicht die Sicherheitsarretierung N 20, da dadurch das Werkzeug nicht mehr funktionstüchtig sein könnte
- Schalten Sie das Werkzeug stets aus, lassen Sie das Messer anhalten, ziehen Sie den Stecker und lassen Sie das Werkzeug abkühlen, bevor Sie es inspizieren, einstellen, warten bzw. verstauen
- Das Werkzeug drinnen an einem trockenen Platz aufbewahren
- Beachten Sie bei der Wartung des Werkzeugs, dass, selbst wenn der Motor dank der Sicherheitsarretierung nicht anspringt, das Messer noch von Hand bewegt werden kann
- Sollte das Elektrowerkzeug trotz sorgfältiger Herstellungs- und Prüfverfahren einmal ausfallen, ist die Reparatur von einer autorisierten Kundendienststelle für SKIL-Elektrowerkzeuge ausführen zu lassen
  - das Werkzeug **unzerlegt**, zusammen mit dem Kaufbeleg, an den Lieferer oder die nächste SKIL-Vertragswerkstätte senden (die Anschriften so wie die Ersatzteilzeichnung des Werkzeuges finden Sie unter [www.skil.com](http://www.skil.com))

## UMWELT

- **Elektrowerkzeuge, Zubehör und Verpackungen nicht in den Hausmüll werfen** (nur für EU-Länder)
  - gemäss Europäischer Richtlinie 2012/19/EG über Elektro- und Elektronik- Altgeräte und Umsetzung in nationales Recht müssen nicht mehr gebrauchsfähige Elektrowerkzeuge getrennt gesammelt und einer umweltgerechten Wiederverwertung zugeführt werden
  - hieran soll Sie Symbol  erinnern

## KONFORMITÄTSERKLÄRUNG €

- Wir erklären in alleiniger Verantwortung, daß das unter "Technische Daten" beschriebene Produkt mit den folgenden Normen oder normativen Dokumenten übereinstimmt: EN 60335, EN 13683, EN 61000, EN 55014 gemäß den Bestimmungen der Richtlinien 2006/95/EG, 2004/108/EG, 2006/42/EG, 2000/14/EG, 2011/65/EU
- **Technische Unterlagen bei:** SKIL Europe BV (PT-SEU/ENG1), 4825 BD Breda, NL

Marijn van der Hoofden  
Operations & Engineering

Olaf Dijkgraaf  
Approval Manager



SKIL Europe BV, 4825 BD Breda, NL

19.12.2013

€11

## GERÄUSCH

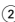

- Gemessen gemäß 2000/14/EG (EN/ISO 3744) liegt der garantierte Schalleistungspegel L<sub>WA</sub> unter 113 dB(A) (Bewertungsverfahren der Konformität gemäß Anhang V) Benannte Stelle: KEMA, Arnhem, NL Kennnummer der benannten Stelle: 0344

NL

## Hakselaar

0770

## INTRODUCTIE

- Deze machine is niet bedoeld voor professioneel gebruik
- Deze machine is bestemd voor het snijden van vezelrijk en houtachtig tuinafval voor compostering
- Controleer of de verpakking alle onderdelen bevat die worden getoond in afbeelding 
- Als onderdelen ontbreken of beschadigd zijn, neemt u contact op met de dealer
- Lees deze handleiding aandachtig en bewaar hem zodat u hem in de toekomst kunt raadplegen 
- **Let met name op de veiligheidsinstructies en de waarschuwingen; het niet in acht nemen hiervan kan ernstige verwondingen tot gevolg hebben**

## TECHNISCHE GEGEVENS

- \* De functie S6 (P40 = 40%) geeft een belastingsprofiel aan dat 4 min belasting en 6 min onbelast lopen veronderstelt (voor de praktische toepassing is continu gebruik toegestaan)

## MACHINE-ELEMENTEN

- A Sleutel (2)
- B Opvangzak
- C Uitlaat
- D Houder voor aanduwstok
- E Aan/uit schakelaar
- F Vergrendelknop
- G Herstartknop
- H Toevoeropening
- J Ventilatie-openingen
- K Aanduwstok
- L Zeskantsleutel
- M Metalen plaat
- N Veiligheidsvergrendeling

## VEILIGHEID

### VEILIGHEIDSIINSTRUCTIES SPECIFIEK VOOR HAKSELAARS

#### UITLEG VAN SYMBOLEN OP MACHINE

-  **Lees de gebruiksaanwijzing vóór gebruik**
-  **Schakel de machine uit en haal de stekker uit het stopcontact voorafgaand aan reiniging/onderhoud of als het (verleng)snoer beschadigd of verward is**
-  **GEVAAR** Draaiende snijmesses; houd uw handen weg van openingen terwijl de machine wordt gebruikt
-  **Houd rekening met het risico van letsel als gevolg van opvliegend afval** (houd omstanders op veilige afstand van het werkgebied)
-  **Wacht totdat alle bewegende onderdelen van de machine volledig tot stilstand zijn gekomen voordat u deze aanraakt**
-  **Draag beschermende handschoenen**
-  **Draag een veiligheidsbril en gehoorbescherming**
-  **Stel machine niet bloot aan regen**
-  **Dubbele isolatie (geen aarddraad nodig)**
-  **Geef de machine niet met het huisvuil mee**
-  **Stekkers en contactdozen dichtbij de werkplek of buitenshuis moeten van klasse IP X4 (BS 5490) zijn zodat adequate bescherming is gegarandeerd tegen indringing van water enzovoort; kabelinvoeren vereisen effectieve afdichting**

#### ALGEMEEN

- Deze machine is niet bedoeld voor gebruik door personen (waaronder begrepen kinderen) met fysieke, zintuiglijke of mentale beperkingen, of een gebrek aan ervaring en kennis, tenzij zij onder toezicht staan of instructies hebben ontvangen ten aanzien van het gebruik van deze machine door een persoon, die verantwoordelijk is voor hun veiligheid
- Zorg ervoor dat kinderen de machine niet als speelgoed gebruiken
- Wees op de hoogte van de knoppen en het juiste gebruik van de machine
- Laat nooit kinderen of personen, die niet bekend zijn met de gebruiksinstructies, de machine gebruiken (er kunnen lokale beperkingen van toepassing zijn met betrekking tot de leeftijd van de gebruiker)
- Gebruik de machine nooit in de directe nabijheid van personen; stop het gebruik van de machine wanneer personen (met name kinderen) en dieren in de buurt zijn

- De gebruiker is verantwoordelijk voor ongelukken of gevaar voor andere personen of hun eigendom
- Zorg dat alle beschermingen en deflectiesystemen op hun plek zitten en in goede toestand verkeren
- Schakel de machine altijd uit, laat het snijmes tot stilstand komen en haal de stekker uit het stopcontact
  - wanneer u de machine onbeheerd laat
  - voordat u vastgelopen materiaal verwijderd
  - voordat u de machine controleert, reinigt of ermee gaat werken

**! voordat u de opvangzak bevestigt of verwijdert**

## ELEKTRISCHE VEILIGHEID

- Controleer altijd of het voltage, dat vermeld staat op het typeplaatje van de machine, overeenkomt met de netspanning
- Controleer regelmatig het snoer en laat het door een erkende vakman vervangen, indien beschadigd
- Controleer het verlengsnoer regelmatig en vervang dit als het beschadigd is (**het gebruik van ondeugdelijke verlengsnoeren kan gevaarlijk zijn**)
- Wanneer de machine in een vochtige omgeving wordt gebruikt, een lekstroombeveiliging gebruiken met een uitschakelstroom van maximaal 30 mA
- Gebruik alleen een voor gebruik buitenshuis goedgekeurd verlengsnoer (type H05VV-F of H05RN-F) met een waterdichte stekker en contactstop
- Schakel de machine altijd uit en haal de stekker uit het stopcontact wanneer het (verleng)snoer versleten, beschadigd of verward is (**raak het snoer pas aan nadat u de stekker uit het stopcontact hebt gehaald**)
- Een beschadigd stroomsnoer moet worden vervangen bij een SKIL-servicecentrum om gevaar te voorkomen
- Gebruik volledig uitgerolde en veilige verlengsnoeren met een capaciteit van 16 Ampère
- Bescherm het (verleng)snoer tegen hitte, olie en scherpe randen
- Trek niet aan het (verleng)snoer, rijd er niet overheen en plet het snoer niet
- Gebruik uitsluitend verlengsnoeren met een maximale lengte van 20 meter (1,5 mm<sup>2</sup>) of 50 meter (2,5 mm<sup>2</sup>)

## PERSOONLIJKE VEILIGHEID

- Gebruik de machine niet op blote voeten of met sandalen; draag altijd stevige schoenen en een broek met lange pijpen
- Draag geen loshangende kleding, een sleutelkoord of een das
- Gebruik de machine uitsluitend op een open ruimte (niet te dicht bij een muur of andere vaste objecten) en op een stevig, effen oppervlak
- Berg de machine **binnenshuis** op in droge, afgesloten ruimten, buiten het bereik van kinderen

## VOÓR GEBRUIK

- Controleer of alle schroeven, moeren, bouten en andere bevestigingen goed vast zitten en dat beschermingen en afschermingen op hun plek zitten

- Zorg dat de toevoer leeg is

## TIJDENS GEBRUIK

- Houd uw gezicht en lichaam weg van de toevoeropening
- Houd uw handen (of enig ander lichaamsdeel) of kleding weg van de toevoeropening, uitlaatopening of bewegende onderdelen

- Zorg dat u altijd stevig staat en uw evenwicht behoudt; reik niet overdreven ver
- Zorg dat u nooit hoger dan de basis van de machine staat wanneer u materiaal toevoert
- Houd altijd afstand tot de uitlaatzone bij gebruik van de machine
- Bij het toevoeren van materiaal in de machine moet u extra goed opletten dat u geen stukken metaal, steen, blikjes of andere vreemde objecten toevoert
- Wanneer het snijmechanisme een vreemd object raakt of als de machine vreemde geluiden gaat maken of gaat trillen, moet u de machine direct uitschakelen, het snijmes tot stilstand laten komen, de stekker uit het stopcontact halen en de volgende stappen nemen
  - inspecteren op schade
  - eventuele beschadigde onderdelen vervangen of repareren
  - controleren op losse onderdelen en deze vastzetten
- Laat verwerkt materiaal niet ophopen in de uitlaatzone; dit kan goede uitvoer voorkomen, hetgeen kan resulteren in terugvoer van materiaal door de toevoeropening
- Wanneer de machine verstopt raakt, schakelt u de machine uit, laat u het snijmes tot stilstand komen en haalt u de stekker uit het stopcontact voordat u de verstopping verhelpt
- Houd de motorkoelingsventilatoren vrij van materiaal en andere ophoping om schade aan de motor en eventuele brand te voorkomen
- Kantel de machine niet en verplaats deze niet terwijl de motor draait

## GEBRUIK

- Montage-instructies <sup>(14)</sup>
  - monteer de wielen met de twee meegeleverde sleutels A en monteer de machine zoals aangegeven in de afbeelding
  - plaats opvangzak B onder uitvoer C
  - monteer houder voor aanduwstok D
- Aan/uit <sup>(15)</sup>
  - schakel de machine aan/uit door schakelaar E in stand "I"/"O" te zetten
- **! nadat de machine is uitgeschakeld, blijft het snijmes nog enkele seconden draaien**
  - wacht totdat het snijmes stopt met draaien voordat u de machine weer inschakelt
- **! de machine zal niet starten tenzij vergrendelknop F volledig is aangedraaid**
- **! schakel de machine niet snel achter elkaar in en uit**
- Opstartbescherming
  - na een stroomstoring start de machine niet vanzelf opnieuw op
  - gebruik schakelaar E <sup>(15)</sup> om de machine opnieuw op te starten
- Bescherming tegen overbelasting
  - Overbelasting (bijvoorbeeld blokkering van het snijmes) kan resulteren in stilstand van de machine
  - wacht korte tijd voordat u de machine weer inschakelt
  - start de machine opnieuw op door eerst op knop G <sup>(15)</sup> te drukken en vervolgens schakelaar E <sup>(15)</sup> te gebruiken



- Hakselen ⑯
  - voer het te hakselen materiaal door via toevoeropening H
  - plaats net zoveel materiaal dat de toevoer niet blokkeert
  - ! **langer materiaal kan tijdens het hakselen uitzwaaien**
  - ! **kleine stukken gehakseld materiaal kan vanuit de toevoeropening worden uitgeworpen**
  - ! **draag een veiligheidsbril, gehoorbescherming en beschermende handschoenen bij gebruik van de machine**
  - voer geen zacht afval, zoals keukenafval, toe in de hakselaar
  - zorg dat het gehakselde materiaal vrij uit uitvoer C kan vallen
  - zorg dat de ventilatiesleuven J ⑫ niet worden afgedekt door de opvangzak of het gehakselde materiaal
  - zorg dat de uitvoer C niet wordt geblokkeerd door gehakseld materiaal; dit kan resulteren in terugvoer van materiaal door de toevoeropening H
- Verwijderen van blokkering ⑰
  - ! **schakel de machine uit en trek de stekker uit het stopcontact**
  - draai vergrendelknop F los en open de machine zoals aangegeven in de afbeelding
  - reinig het snijmesgebied (verwijder compact afval met een houten of kunststof voorwerp)
  - verwijder tevens alle afval uit de uitvoer C
  - sluit de machine en draai vergrendelknop F stevig aan
- Omdraaien/vervangen van snijmes ⑱
  - ! **schakel de machine uit en trek de stekker uit het stopcontact**
  - het snijmes is aan beide zijden voorzien van snijranden; wanneer één zijde bot is geworden, kan de andere zijde worden gebruikt
  - vervang het snijmes wanneer beide zijden bot zijn (nummer SKIL-reserveonderdeel 2610Z02553, markering YAT 8231-545201)
  - draai vergrendelknop F los en open de machine zoals aangegeven in de afbeelding
  - draai beide snijmesbouten los met zeskantsleutel L terwijl u de metalen plaat M gebruikt als ondersteuning
  - draai het snijmes om en monteer dit (zie afbeelding)
  - draai beide snijmesbouten vast met zeskantsleutel L terwijl u de metalen plaat M gebruikt als ondersteuning
  - sluit de machine en draai vergrendelknop F stevig aan

## TOEPASSINGSADVIES

- Haksel verse takken korte tijd nadat ze zijn afgesneden voor het beste resultaat
- Gebruik aanduwstok K om zacht materiaal in te voeren ⑲
- Haksel zacht tuinafval in kleine hoeveelheden, met name als het afval nat is
- Blokkeringen kunnen worden vermeden door tussendoor takken te hakselen

## ONDERHOUD / SERVICE

- Deze machine is niet bedoeld voor professioneel gebruik
- Onderhoud de machine zorgvuldig en houd deze schoon
  - houd de ventilatieopeningen altijd vrij van restmateriaal
- ! **trek de stekker uit het stopcontact vóór het reinigen**

- Controleer regelmatig op defecten, zoals losse, losgeschoten of beschadigde snijmessen, losse bevestigingen en versleten of beschadigde onderdelen
- Vervang versleten of beschadigde onderdelen om de veiligheid te garanderen
- Voorkom buigen van veiligheidsvergrendeling N ⑳; dit kan resulteren in slechte functionering van de machine
- Schakel altijd de machine uit, laat het snijmes tot stilstand komen, haal de stekker uit het stopcontact en laat de machine afkoelen voordat u deze inspecteert, afstelt, onderhoudt en/of opslaat
- Sla de machine overdekt op een droge plaats op
- Als u onderhoud pleegt aan de hakselaar, moet u er rekening mee houden dat, ook al zal de motor niet starten dankzij de veiligheidsvergrendeling van de bescherming, de hakselaar nog steeds met de hand kan worden bewogen
- Mocht het elektrische gereedschap ondanks zorgvuldige fabricage- en testmethoden toch defect raken, dient de reparatie te worden uitgevoerd door een erkende klantenservice voor SKIL elektrische gereedschappen
  - stuur de machine **ongedemonteerd**, samen met het aankoopbewijs, naar het verkoopadres of het dichtstbijzijnde SKIL service-station (de adressen evenals de onderdeeltekening van de machine vindt u op [www.skil.com](http://www.skil.com))

## MILIEU

- **Geef elektrisch gereedschap, accessoires en verpakkingen niet met het huisvuil mee** (alleen voor EU-landen)
  - volgens de Europese richtlijn 2012/19/EG inzake oude elektrische en elektronische apparaten en de toepassing daarvan binnen de nationale wetgeving, dient afgedankt elektrisch gereedschap gescheiden te worden ingezameld en te worden afgevoerd naar een recycle-bedrijf, dat voldoet aan de geldende milieueisen
  - symbool ⑳ zal u in het afdankstadium hieraan herinneren

## CONFORMITEITSVERKLARING CE

- Wij verklaren als alleen verantwoordelijke, dat het onder "Technische gegevens" beschreven product voldoet aan de volgende normen of normatieve documenten: EN 60335, EN 13683, EN 61000, EN 55014 overeenkomstig de bepalingen van de richtlijnen 2006/95/EG, 2004/108/EG, 2006/42/EG, 2000/14/EG, 2011/65/EU
- **Technisch dossier bij:** SKIL Europe BV (PT-SEU/ENG1), 4825 BD Breda, NL

Marijn van der Hoofden  
Operations & Engineering

Olaf Dijkgraaf  
Approval Manager




SKIL Europe BV, 4825 BD Breda, NL

19.12.2013

CE11

## GELUID

- Gemeten volgens 2000/14/EG (EN/ISO 3744) is het gegarandeerde geluidsvermogeniveau lager dan 113 dB(A) (wegingsmethode van de conformiteit volgens aanhangsel V)  
Aangemelde instantie: KEMA, Arnhem, NL  
ID aangemelde instantie: 0344

S

## Kompostkvarn

0770

### INTRODUKTION

- Det här verktyget är inte avsedd för yrkesmässig användning
- Det här verktyget är avsett att hacka fibrigt och vedartat trädgårdsavfall för kompostering
- Kontrollera om förpackningen innehåller alla delar som finns på bilden ②
- Om delar saknas eller är skadade kontakter du återförsäljaren
- Läs dessa instruktioner noggrant för användning och bevara dem för framtida bruk ③
- **Var särskilt uppmärksam på säkerhetsinstruktionerna och varningarna; om de inte följs kan det ge allvarliga skador**

### TEKNISKA DATA ①

- \*) Driftsättet S6 (P40 = 40%) motsvarar en belastningsprofil som baserar på 4 minuters belastning och 6 minuters tomgång (för praktisk användning är kontinuerlig drift tillåten)

### VERKTYGSELEMENT ②

- A Nyckel (2)
- B Uppsamlingspåse
- C Utlopp
- D Inmatarhållare
- E Till/från strömbrytare
- F Spärrvred
- G Knapp för återstart
- H Matarinloppsöppning
- J Ventilationsöppningar
- K Inmatare
- L Sexkantsnyckel
- M Metallplatta
- N Säkerhetslås

### SÄKERHET

#### SÄRSKILDA SÄKERHETSANVISNINGAR FÖR KOMPOSTKVARNAR

#### FÖRKLARING AV SYMBOLERNA PÅ VERKTYGET

- ③ Läs bruksanvisningen före användning
- ④ Stäng av och koppla bort kontakten före rengöring/underhåll eller om (förlängning)sladden är skadad eller har trasslat sig
- ⑤ FARA Roterande blad; håll händerna borta från öppningar när verktyget körs

- ⑥ **Var medveten om risken för skador som orsakas av flygande skräp** (håll andra personer på ett säkert avstånd från arbetsområdet)
- ⑦ Vänta tills alla rörliga verktygskomponenter är helt stillastående innan de vidrörs
- ⑧ Använd skyddshandskar
- ⑨ Använd skyddsglasögon och hörselskydd
- ⑩ Utsätt inte maskinen för regn
- ⑪ Dubbel isolering (ingen jordning krävs)
- ⑫ Maskinen får inte kastas i hushållssoptorna
- ⑬ Kontakter och uttag nära arbetsområdet eller utomhus ska vara klass IP X4, BS 5490 för att ge tillräckligt skydd mot inträngande vatten osv. och kabelingångar kräver effektiv tätning

#### ALLMÄNT

- Denna maskin får inte användas av barn eller personer med ett förståndshandikapp eller på annat sätt medsatt förmåga, såvida denna inte sker med överinseende av en vuxen person som ansvarar för personsäkerheten
  - Barn får inte använda maskinen som leksak
  - Bekanta dig med kontrollerna och rätt användning av verktyget
  - Låt aldrig barn eller personer som inte känner till driftsanvisningarna använda verktyget (lokala föreskrifter kan begränsa användarens ålder)
  - Använd aldrig verktyget i närheten av personer, sluta använda verktyget när personer (i synnerhet barn) eller husdjur finns i närheten
  - Användaren ansvarar för olyckor eller faror som andra personer utsätts för inom hans/hennes fastighet
  - Håll alla skydd och deflektorer på plats och se till de är säkra att använda
  - Stäng alltid av verktyget, låt klippbladet stoppa och dra ur kontakten
    - när verktyget är obevakat
    - innan material som fastnat tas bort
    - innan verktyget kontrolleras, rengörs eller servas
  - ! **före montering eller borttagning av uppsamlingspåsen**
- #### ELEKTRISK SÄKERHET
- Kontrollera alltid att den tillförda strömtypen stämmer med spänningen som anges på maskinens märkplåt
  - Inspektera sladden med jämna mellanrum och låt den byta ut av en kvalificerad person den är skadad
  - Kontrollera förlängningssladden regelbundet och byt den om den är skadad (**bristfälliga förlängningssladdar kan vara farliga**)
  - Om verktyget används i fuktiga miljöer ska en jordfelsbrytare användas med en brytström på högst 30 mA
  - Använd bara en förlängningssladd av typ H05VV-F eller H05RN-F som är avsedd för användning utomhus och som är försedd med en vattentät kontakt
  - Stäng alltid av verktyget och koppla bort kontakten från strömkällan om nätsladden eller förlängningssladden har skador, skador eller har trasslat sig (**vidrör inte sladden innan kontakten har kopplats bort**)
  - En skadad nätsladd skall bytas av ett SKIL-servicecenter för att undvika fara
  - Använd helt uttrulade och säkra förlängningssladdar med kapacitet på 16 A
  - Skydda (förlängnings)sladden mot värme, olja och vassa kanter

- Kör inte över, kläm inte och dra inte i (förlängnings) sladden
- Använd bara förlängningssladdar som är högst 20 meter långa (1,5 mm<sup>2</sup>) eller 50 meter (2,5 mm<sup>2</sup>)

#### PERSONSÄKERHET

- Använd inte verktyget om du är barfota eller använder sandaler; använd alltid kraftiga skor och långbyxor
- Undvik att ha löst sittande kläder, hängande snoddar eller band
- Använd bara verktyget i fria utrymmen (inte nära en vägg eller andra massiva föremål) och på stabila, plana ytor
- Förvara maskinen **inomhus** på torrt ställe utom räckhåll för barn

#### FÖRE ANVÄNDNINGEN

- Kontrollera att alla skruvar, muttrar, bultar och andra fästen är ordentligt åtdragna och att skydd och skärmar sitter på plats

- Kontrollera att matarinloppet är tomt

#### UNDER ANVÄNDNINGEN

- Håll ansiktet och kroppen borta från matarinloppsöppningen
- Placera inte händer (och andra kroppsdelar) eller kläder inuti matarinloppsöppningen, utloppsöppningen eller i närheten av rörliga delar
- Håll alltid balansen och fotfästet och luta dig inte för långt
- Stå aldrig på högre nivå än verktygets bas när materialet matas in
- Håll dig alltid på ordentligt avstånd från utloppszonen när verktyget används
- Vid matning av material in i verktyget ska du vara oerhört noga med att metalldelar, stenar, flaskor, burkar och andra främmande föremål inte matas in
- Om klippmekanismen träffar ett främmande föremål eller och verktyget börjar avge ovanliga ljud eller vibrationer stänger du av det direkt, låter klippbladet stoppa, drar ur kontakten och gör följande
  - kontrollerar om skador förekommer
  - byter eller reparerar skadade delar
  - kontrollerar om delar är lösa och drar i så fall åt dem
- Låt inte bearbetat material byggas upp i utloppszonen - det kan förhindra ordentlig utmatning och resultera i att materialet trycks tillbaka genom matarinloppsöppningen
- Om verktyget sätts igen stänger du av det, låter klippbladet stoppa och drar ur kontakten innan du rensar bort skräp
- Håll motorkylningens ventilationsöppningar fria från skräp och annat ackumulerat material för att förhindra skador på motorn eller brand
- Luta eller transportera inte verktyget när motorn är igång

#### ANVÄNDNING

- Monteringsanvisningar <sup>(14)</sup>
  - montera hjulen med de två medföljande A nycklarna och montera verktyget enligt bilderna
  - placera uppsamlingspåsen B under utloppet C
  - montera inmatarhållaren D
- Till/från <sup>(15)</sup>
  - starta/stäng av maskinen genom att sätta omkopplaren E i läget "I"/"O"
- ! **när verktyget har stängts av fortsätter kniven att rotera under några sekunder**
  - låt klippbladet sluta rotera innan du startar igen

! **verktyget startar inte om inte spärrvredet F är helt åtdraget**

! **du ska inte starta och stänga av i snabb följd**

- Återstartsskydd
  - efter ett strömvabrott startar inte verktyget om automatiskt
  - använd brytaren E <sup>(16)</sup> för återstart av verktyget
- Överladdningsskydd
  - Överbelastning (t.ex. blockering av klippbladet) kan leda till att verktyget stannar
  - vänta en kort stund innan verktyget startas igen
  - starta om verktyget genom att först trycka på knappen G <sup>(16)</sup> och sedan på brytaren E <sup>(16)</sup>
- Malning <sup>(16)</sup>
  - mata materialet som ska hackas genom matarinloppsöppningen H
  - mata inte in för mycket material eftersom matarinloppet kan blockeras
- ! **längre material kan kastas ut när det hackas**
- ! **små bitar hackat material kan kastas ut genom matarinloppsöppningen**
- ! **används skyddsglasögon, hörselskydd och skyddshandskar när verktyget används**
  - fyll inte kompostkvarnen med mjukt avfall, t.ex. köksavfall
  - se till att det hackade materialet kan falla fritt från utloppet C
  - se till att ventilationsöppningarna J <sup>(2)</sup> inte täcks av uppsamlingspåsen eller hackat material
  - undvik blockering av utloppet C med hackat material eftersom det kan resultera i att materialet trycks tillbaka genom matarinloppsöppningen H
- Borttagning av blockeringar <sup>(17)</sup>
  - ! **stäng av maskinen och dra ut sladden**
    - lossa spärrvredet F och öppna verktyget enligt bilden
    - rengör klippbladsområdet (ta bort sammanpressat skräp med ett redskap av trä eller plast)
    - rengör även utloppet C från skräp
    - stäng verktyget och dra åt spärrvredet F ordentligt
- Vänding/bytning av klippbladet <sup>(18)</sup>
  - ! **stäng av maskinen och dra ut sladden**
    - klippbladet har en klippkant på båda sidorna så att andra sidan kan användas om den första har blivit slö
    - byt klippbladet när båda sidorna är slöa (SKIL-reservdelnummer 2610Z02553, märkning YAT 8231-545201)
    - lossa spärrvredet F och öppna verktyget enligt bilden
    - lossa båda bladbultarna med sexkantsnyckeln L och använd metallplattan M som stöd
    - vänd och montera klippbladet enligt bilden
    - dra åt båda bladbultarna med sexkantsnyckeln L och använd metallplattan M som stöd
    - stäng verktyget och dra åt spärrvredet F ordentligt

#### ANVÄNDNINGSTIPS

- Hacka färska grenar snarast möjligt efter avklippning för bästa resultat
- Använd inmataren K vid matning av mjukt material <sup>(19)</sup>
- Hacka mjukt trädgårdsavfall i mindre mängder, i synnerhet om det är vått
- Blockeringar kan undvikas genom att emellanåt hacka grenar

## UNDERHÅLL / SERVICE

- Det här verktyget är inte avsedd för yrkesmässig användning
- Underhåll verktyget noggrant och håll det rent
  - se alltid till att ventilationsöppningarna hålls fria från skräp
- ! **drag ur stickkontakten innan rengöring**
- Kontrollera regelbundet om det förekommer defekter, t.ex. löst, förflyttat eller skadat blad, lösa fästen och slita eller skadade komponenter
- Byt slitna eller skadade delar av säkerhetsskäl
- Undvik att böja säkerhetslåset N ⑩ eftersom det kan orsaka fel funktion hos verktyget
- Stäng alltid av verktyget, låt klippbladet stoppa, dra ur kontakten och låt verktyget svalna före kontroll, justering, service och/eller förvaring
- Förvara verktyget inomhus på en torr plats
- När kompostkvarnen servas ska du vara medveten om att även om motorn inte startar till följd av skyddets säkerhetslåsfunktion kan kompostkvarnen ändå röras för hand
- Om i elverktyget trots exakt tillverkning och sträng kontroll störning skulle uppstå, bör reparation utföras av auktoriserad serviceverkstad för SKIL elverktyg
  - sänd in verktyget i **odemonterat skick** tillsammans med inköpsbevis till försäljaren eller till närmaste SKIL serviceverkstad (adresser till servicestationer och sprängskisser av maskiner finns på [www.skil.com](http://www.skil.com))

## MILJÖ

- **Elektriska verktyg, tillbehör och förpackning får inte kastas i hushållsoporna** (gäller endast EU-länder)
  - enligt direktivet 2012/19/EG som avser äldre elektrisk och elektronisk utrustning och dess tillämpning enligt nationell lagstiftning ska uttjänta elektriska verktyg sorteras separat och lämnas till miljövänlig återvinning
  - symbolen ⑩ kommer att påminna om detta när det är tid att kassera

## FÖRSÄKRAN OM ÖVERENSSTÄMMELSE CE

- Vi försäkras härmed under exklusivt ansvar att denna produkt som beskrivs i "Tekniska data" överensstämmer med följande normer eller normativa dokument: EN 60335, EN 13683, EN 61000, EN 55014 enligt bestämmelserna i direktiven 2006/95/EG, 2004/108/EG, 2006/42/EG, 2000/14/EG, 2011/65/EU
- **Teknisk tillverkningsdokumentation finns hos:** SKIL Europe BV (PT-SEU/ENG1), 4825 BD Breda, NL

Marijn van der Hoofden  
Operations & Engineering

Olaf Dijkgraaf  
Approval Manager

SKIL Europe BV, 4825 BD Breda, NL

19.12.2013

CE11

## LJUD

- Mätt enligt 2000/14/EG (EN/ISO 3744) är den garanterade ljudeffektnivån (LWA) lägre än 113 dB (A) (bedömningsmetod för överensstämmelse enligt bilaga V) Anmält organ: KEMA, Arnhem, NL ID-nummer för anmält organ: 0344

DK

## Kompostkværn

0770

## INLEDNING

- Dette værktøj er ikke beregnet til professionelt brug
- Dette værktøj er beregnet til at skære fiber- og træholdigt haveaffald til kompostering
- Kontroller, om pakken indeholder alle dele som vist på illustrationen ②
- Kontakt venligst din forhandler, hvis dele mangler eller er beskadiget
- Læs denne brugsanvisning omhyggeligt igennem, inden støvsugeren bruges, og gem brugsanvisningen til senere brug ③
- **Vær særlig opmærksom på sikkerhedsinstruktionerne og advarselne; gøres dette ikke, kan det medføre alvorlige skader**

## TEKNISKE DATA ①

- \* Funktionens S6 (P40 = 40%) indeholder en belastningsprofil, som accepterer en belastning på 4 min og et tomløb på 6 min (konstant drift er tilladt i det praktiske arbejde)

## VÆRKTØJETS DELE ②

- A Nøgle (2)
- B Opsamlingspose
- C Udgang
- D Holder til indføringsværktøj
- E Tænd/sluk afbryder
- F Sikringshåndtag
- G Knap til genstart
- H Indtagsåbning
- J Ventilationshuller
- K Indføringsværktøj
- L Sekskantnøgle
- M Metalplade
- N Sikkerhedslås

## SIKKERHED

### SÆRLIGE SIKKERHEDSANVISNINGER FOR KOMPOSTKVÆRNERE

#### FORKLARING TIL SYMBOLERNE PÅ VÆRKTØJET

- ③ Læs instruktionen inden brugen
- ④ Sluk for strømmen og tag stikket ud før rengøring/vedligeholdelse eller hvis ledning eller forlængerledning er beskadiget eller viklet ind i noget
- ⑤ FARE Roterende klinger; hold hænderne væk fra åbninger, når værktøjet kører

- ⑥ **Vær opmærksom på den risiko for skade, der kan forårsages af flyvende affald** (andre personer skal befinde sig sikkert på afstand af arbejdsområdet)
- ⑦ Vent, indtil alle værktøjets bevægelige komponenter er standset helt, før du rører dem
- ⑧ Bær beskyttelseshandsker
- ⑨ Brug beskyttelsesbriller og høreværn
- ⑩ Udsæt ikke værktøjet for regn
- ⑪ Dobbelt isolering (jordforbindelse unødvendig)
- ⑫ Værktøj må ikke bortskaffes som almindeligt affald
- ⑬ Stik og kontakter, der befinder sig i nærheden af arbejdsstedet eller udendøre, skal være af klasse IP X4 af BS 5490 for at yde tilstrækkelig beskyttelse mod indtrængen af vand etc. og kabelindgange kræver effektiv tætning

#### GENERELT

- Dette værktøj er ikke beregnet til brug for personer (herunder børn), der har nedsatte fysiske, sensoriske eller mentale evner eller mangel på erfaring og viden, med mindre disse personer er blevet givet instruktion og supervision i brugen af værktøjet fra en person, som er ansvarlig for deres sikkerhed
- Børn må ikke lege med dette værktøj
- Gør dig bekendt med kontrollerne og den korrekte brug af værktøjet
- Lad aldrig børn eller personer, der ikke er bekendt med brugsanvisningen, bruge værktøjet (lokale bestemmelser kan sætte begrænsninger for operatørens alder)
- Værktøjet må ikke anvendes, når der er andre personer i nærheden; stop værktøjet, hvis der er andre personer (i særdeleshed børn) eller kæledyr i nærheden
- Brugeren er ansvarlig for ulykker eller farer, der kan forekomme i forhold til andre mennesker eller deres ejendom
- Hold alle afskærmninger og skillelægge på plads og i god driftsklar stand
- Sluk altid værktøjer, lad skæreklingen standse og træk stikket ud af stikkontakten
  - når du forlader værktøjet, så det er uden opsyn
  - før du fjerner materiale, der sidder fast
  - før du kontrollerer, rengør eller udfører arbejde på værktøjet

#### ! før montering eller fjernelse af opsamlingsposen

#### ELEKTRISK SIKKERHED

- Kontrollér altid at forsyningsspændingen er den samme som den spænding, der er anført på værktøjets navneskilt
- Undersøg ledningen med mellemrum og få det skiftet ud af en anerkendt fagmand, hvis den er beskadiget
- Kontrollér forlængerledningen med jævne mellemrum, og udskift den, hvis den er ødelagt (**defekte forlængerledninger kan være farlige**)
- Hvis værktøjet anvendes i fugtige omgivelser, skal der bruges en fejlstrømssikring (RCD) med en udløserstrøm på maks. 30 mA
- Anvend kun en forlængerledning af typerne H05VV-F eller H05RN-F, der er egnet til udendørs brug og udstyret med et vandtæt stik og koblingsstikkontakt
- Sluk altid for værktøjet og tag stikket ud af strømkilden, hvis der bliver skåret i strømledningen eller forlængerledningen eller hvis den bliver beskadiget eller viklet ind i noget (**rør ikke ved ledningen, før du har taget stikket ud**)
- En beskadiget ledning skal udskiftes på et SKIL-servicecenter udelukkende for at undgå en fare

- Anvend helt udrullede og sikre forlængerledninger med en kapacitet på 16 A
- Hold (forlænger) ledningen væk fra varme, olie og skarpe kanter
- Gå ikke hen over ledningen, og lad være med at mase eller trække i (forlænger) ledningen
- Anvend kun forlængerledninger med en maksimal længde på 20 meter (1,5 m<sup>2</sup>) eller 50 meter (2,5 m<sup>2</sup>)

#### PERSONLIG SIKKERHED

- Du må ikke betjene værktøjet barfodet eller i åbne sandaler; anvend altid kraftige sko og lange bukser
- Undgå at bære løstsiddende beklædningsgenstande, der hænger løst, eller hængende ledninger eller snore
- Værktøjet må kun betjenes i frit rum (ikke for tæt på en mur eller andre solide genstande) og på en fast, plan overflade
- Opbevar værktøjet **indendørs** på et tørt, aflåst sted, utilgængeligt for børn

#### INDEN BRUG

- Kontrollér, at alle skruer, møtrikker, bolte og andre lukkemekanismer er korrekt fastgjorte, og at afskærmninger sidder på plads
- Kontrollér, at indtagsåbningen er tom

#### UNDER BRUG

- Hold dit ansigt og din krop væk fra indtagsåbningen
- Hænder (eller andre kroppsdele) eller beklædning må ikke komme ind i indtagsåbningen, udløbsåbningen eller komme i nærheden af bevægelige dele.
- Sørg altid for at have god balance og en god fodstilling; undlad at strække dig for langt frem
- Ved indføring af materiale må du aldrig stå på et højere niveau end værktøjets fod
- Hold altid god afstand til udløbsområdet, når du betjener værktøjet
- Når du fører materiale ind i værktøjet, skal du være meget forsigtig med, at der ikke kommer stykker af metal, sten, flasker, dåser eller andre fremmedlegemer med ind
- Hvis skæremekanismen kommer i kontakt med et fremmedlegeme, eller hvis værktøjet skulle begynde at lave usædvanlige lyde eller vibrationer, skal du omgående slukke for enheden, lade skæreklingen stoppe fuldstændigt, tage stikket ud og udføre følgende trin
  - undersøg for skader
  - udskift eller reparer alle beskadigede dele
  - kontroller og stram alle løse dele
- Lad der ikke blive ophobet materiale i udløbsområdet. Dette kan forhindre korrekt afvikling, hvilket kan resultere i, at materialet tilbagekastes gennem indgangsåbningen
- Hvis værktøjet bliver tilstoppet, skal du slukke det og lade skæreklingen stoppe og trække stikket ud af stikkontakten, før du rengør for materialerester
- Hold motorens ventilationsåbninger fri for rester og andre ophobninger for at forhindre skade på motoren eller eventuel brand
- Værktøjet må ikke sættes på skrå eller transporteres, mens motoren kører

#### BETJENING

- Samlingsvejledning <sup>⑭</sup>
  - monter hjulene med de to vedlagte drejenøgler A og samle værktøjet som vist
  - anbring opsamlingsposen B under udløbet C
  - monter holderen til indføringsværktøjet D

- Tænd/sluk <sup>15</sup>
  - start/afbryd værktøjet ved at skubbe afbryderen E i "I"/"O" stilling
  - ! **når værktøjet er slukket, fortsætter bladet med at rotere nogle få sekunder**
  - lad skærebladet stoppe med at rotere, før du tænder igen
  - ! **værktøjet vil ikke starte, medmindre sikringshåndtaget F er helt strammet**
  - ! **lad være med at tænde og slukke hurtigt efter hinanden**
- Genstartsbeskyttelse
  - efter en strømforsyningsfejl vil værktøjet ikke starte igen af sig selv
  - brug knappen E <sup>15</sup> for at genstarte værktøjet
- Beskyttelse mod overbelastning
 

Overbelastning (f.eks. blokering af skærebladene) kan føre til, at værktøjet standser

  - vent et øjeblik, før du tænder værktøjet igen
  - genstart værktøjet ved først at trykke på knappen G <sup>15</sup> og derefter knappen E <sup>15</sup>
- Kompostkværn <sup>16</sup>
  - Indfør det materiale, der skal kværnes, gennem indtagsåbningen H
  - før kun så meget materiale ind, så indtagsåbningen ikke bliver blokeret
  - ! **lange stykker materiale kan slå ud som en pisk, når de skæres**
  - ! **der kan blive kastet små stykker kværnet materiale ud fra indtagsåbningen**
  - ! **bær sikkerhedsbriller, hørevern og beskyttelseshandsker, når du bruger værktøjet**
  - kom ikke blødt affald som køkkenaffald i kompostkværnen
  - kontrollér, at det kværnedede materiale kan falde frit fra udløbet C
  - kontrollér, at ventilationshullerne J <sup>2</sup> ikke bliver dækket af opsamlingsposen eller det kværnedede materiale
  - undgå at blokere udløbet C med kværnet materiale, da det kan resultere i, at materiale kastes tilbage gennem indtagsåbningen H
- Fjerning af blokeringen <sup>17</sup>
  - ! **sluk værktøjet og træk stikket ud af stikkontakten**
  - løsgør sikringshåndtaget F og åben værktøjet som vist
  - rengør klingområdet (fjern kompakte rester med et redskab af træ eller plastik)
  - rengør også udløbet C for eventuelle rester
  - luk værktøjet og stram sikringshåndtaget F grundigt
- Vending/udskiftning af skæreklinge <sup>18</sup>
  - ! **sluk værktøjet og træk stikket ud af stikkontakten**
  - skæreklingen har skærekant på begge sider; så hvis den ene side er blevet sløv, kan den anden side bruges
  - udskift skæreklingen, når begge sider er blevet sløve (SKIL-reservedelsnummer 2610Z02553, markeret YAT 8231-545201)
  - løsgør sikringshåndtaget F og åben værktøjet som vist
  - løsgør begge klingebolte med stiftnøglen L, mens du bruger metalpladen M som støtte
  - vend skæreklingen om og monter den som vist
  - stram begge klingebolte med stiftnøglen L, mens du bruger metalpladen M som støtte
  - luk værktøjet og stram sikringshåndtaget F grundigt

## GODE RÅD

- For at få de bedste resultater skal du kværne friske grene, lige efter de er blevet skåret af
- Brug indføringsværktøjet K til at indføre blødt materiale <sup>19</sup>
- Kværn blødt haveaffald i mindre mængder, særligt når det er vådt
- Blokeringer kan undgås ved kværne grene trinvist

## VEDLIGEHOLDELSE/SERVICE

- Dette værktøj er ikke beregnet til professionelt brug
- Vedligehold værktøjet med omhu og hold det rent
  - sørg altid for, at ventilationsåbningerne er fri for affald
  - ! **træk stikket ud før rensning**
- Kontrollér regelmæssigt for defekter som løse, forkertsiddende eller beskadigede klinger, løse fastgørelser og slidte eller beskadigede komponenter
- Få slidte eller beskadigede dele udskiftet af sikkerhedsmæssige årsager
- Undgå at bøje sikkerhedslåsen N <sup>20</sup>, hvilket kan forårsage fejlfunktion ved værktøjet
- Sluk altid værktøjet, lad skæreklingen stoppe, træk stikket ud af stikkontakten og lad værktøjet afkøle, før du kontrollerer, justerer, udfører service og/eller sætter værktøjet til opbevaring
- Opbevar værktøjet et tørt sted indendøre
- Ved udførelse af service på kværneenheden skal du være opmærksom på, at selv om motoren ikke starter på grund af sikkerhedsskærmens sikkerhedslåsefunktion, kan kværneenheden stadig blive bevæget af hånden
- Skulle el værktøjet trods omhyggelig fabrikation og kontrol holde op med at fungere, skal reparationen udføres af et autoriseret serviceværksted for SKIL-elektroværktøj
  - send den **uskilte** værktøjet sammen med et købsbevis til forhandleren eller nærmeste SKIL serviceværksted (adresser og reservedelstegning af værktøjet findes på [www.skil.com](http://www.skil.com))

## MILJØ

- **Elværktøj, tilbehør og emballage må ikke bortskaffes som almindeligt affald** (kun for EU-lande)
  - i henhold til det europæiske direktiv 2012/19/EF om bortskaftelse af elektriske og elektroniske produkter og gældende national lovgivning, skal brugt elværktøj indsamles separat og bortskaffes på en måde, der skåner miljøet mest muligt
  - symbolet <sup>12</sup> erindrer dig om dette, når udskiftning er nødvendig

## OVERENSSTEMMELSESERKLÆRING CE

- Vi erklærer under almindeligt ansvar, at det produkt, der er beskrevet under "Tekniske data", er i overensstemmelse med følgende standarder eller normative dokumenter: EN 60335, EN 13683, EN 61000, EN 55014 i henhold til bestemmelserne i direktiverne 2006/95/EF, 2004/108/EF, 2006/42/EF, 2000/14/EF, 2011/65/EU

- **Teknisk dossier hos:** SKIL Europe BV (PT-SEU/ENG1), 4825 BD Breda, NL

Marijn van der Hoofden  
Operations & Engineering

Olaf Dijkgraaf  
Approval Manager

SKIL Europe BV, 4825 BD Breda, NL

19.12.2013

CE11

## STØJ

- Måles etter 2000/14/EF (EN/ISO 3744) er det garanterede ydeffektniveau LWA mindre end 113 dB(A) (procedurer for overensstemmelsesvurdering iht. bilag V)
- Underrettet myndighet: KEMA, Arnhem, NL
- Identifikasjonsnummer for underrettet myndighet: 0344

N

**Kvern**

**0770**

## INTRODUKSJON

- Dette verktøyet er ikke beregnet på profesjonell bruk
- Dette verktøyet er beregnet på å kutte fiber- og treavfall fra hagen for kompostering
- Se etter at emballasjen inneholder alle deler, som vist på tegningen ②
- Ta kontakt med forhandleren når deler mangler eller er skadet
- Les denne instruksjonen nøye før bruk, og ta vare på den for fremtidig bruk ③
- **Gjør deg spesielt godt kjent med sikkerhetsveiledningene og advarslene; hvis du unnlater å følge dem, kan du risikere alvorlige skader**

## TEKNISKE DATA ①

- \* Driftstype S6 (P40 = 40%) betegner en belastningsprofil som tåler 4 min belastning og 6 min tomgang (til praktisk bruk er permanent drift mulig)

## VERKTØYELEMENTER ②

- A Nøkkel (2)
- B Oppsamlingspose
- C Utløp
- D Piggholder
- E Av/på bryter
- F Festebryter
- G Knapp for restart
- H Matinntaksåpning
- J Ventilasjonsåpninger
- K Pigg
- L Sekskantnøkkel
- M Metallplate
- N Sikkerhetslås

## SIKKERHET

### SPESIFIKKE SIKKERHETSINSTRUKSJONER FOR KVERNER

#### FORKLARING AV SYMBOLER PÅ VERKTØY

- ③ Les instruksjonsboken før bruk
- ④ Slå av og koble ut støpselet før rengjøring/vedlikehold eller hvis (skjøte-)ledningen er skadet eller floket.
- ⑤ FARE Roterende blader; hold hendene borte fra åpninger når verktøyet er i gang
- ⑥ Vær oppmerksom på risikoen for skade som følge av restmaterialer som kastes ut (hold avstand til forbipasserende)
- ⑦ Vent all alle bevegelige komponenter står helt stille før du berører dem
- ⑧ Bruk vernehansker
- ⑨ Bruk beskyttelsesbriller og hørselsvern
- ⑩ Ikke utsett verktøyet for regn
- ⑪ Dobbeltisolert (ikke nødvendig med jordingsleder)
- ⑫ Kast aldri verktøy i husholdningsavfallet
- ⑬ Kontakter og uttak i nærheten av arbeidsstedet eller utendørs, skal være av klasse IP X4 av BS 5490 for å gi tilstrekkelig beskyttelse mot inntrenging av vann, osv. og kabelinnføringer trenger effektiv tetting

#### GENERELL

- Dette verktøyet må ikke brukes av barn eller personer med fysiske eller sansemessige handicap, eller som er mentalt tilbakestående, eller mangler erfaring og kunnskaper, med mindre de er under tilsyn og får opplæring i bruk av verktøyet av en person som er ansvarlig for sikkerheten deres
  - Sørg for at barn ikke får anledning til å leke med verktøyet
  - Gjør deg kjent med kontrollene og riktig bruk av verktøyet
  - La aldri barn eller personer som ikke er kjent med bruksanvisningene, bruke verktøyet (lokale forskrifter kan begrense hvor gammel føreren kan være)
  - Bruk aldri verktøyet i nærheten av personer; slutt å bruke det når personer (spesielt barn) eller kjæledyr er i nærheten
  - Brukeren er ansvarlig for ulykket eller farer som skjer med andre mennesker eller deres eiendom
  - Hold alle vern og deflektorer på plass og i god stand
  - Slå alltid av verktøyet, la kniven stoppe og trekk ut kontakten
    - når verktøyet forlates uten tilsyn
    - før du fjerner materiale som har satt seg fast
    - før du sjekker, rengjør eller arbeider med verktøyet
  - ! **før du monterer eller fjerner oppsamlingsposen**
- #### ELEKTRISK SIKKERHET
- Sjekk alltid at tilført spenningen er den samme som oppgitt på verktøyets merkeplate
  - Sjekk ledningen regelmessig, og få den skiftet ud af en anerkendt fagmand hvis skadd
  - Inspiser skjøteledningen med jevne mellomrom og skift den hvis den er skadet (**det kan være farlig å bruke uegnede skjøteledninger**)
  - Når verktøyet brukes i fuktige miljøer, bruk en reststrømenhet (RCD) med utløsningsstrøm på maks. 30 mA
  - Bruk bare skjøteledninger av type H05VV-F eller H0FRN-F som er beregnet for bruk utendørs og som er utstyrt med vannrett stikk-kontakt

- Slå alltid av verktøyet og trekk ut støpselet fra strømkilden hvis strømledningen eller skjøteledningen kuttes over, skades eller sammenfiltres (**ikke rør ledningen før du trekker du støpselet**)
- En skadd strømledning skal skiftes på et SKIL-servicesenter bare for å unngå fare
- Bruk helt utrullet og sikker skjøteledning med en kapasitet på 16 A
- Beskytt (skjøte-)ledningen mot varme, olje og skarpe kanter
- Ikke kjør over, knuse eller trekke i (skjøte-)ledningen
- Bruk bare skjøteledning med maks. lengde på 20 meter (1,5 mm<sup>2</sup>) eller 50 meter (2,5 mm<sup>2</sup>)

#### PERSONSIKKERHET

- Ikke bruk verktøyet når du er barfott eller har på deg åpne sandaler; bruk alltid solide sko og langbukser
- Unngå å bruke løstsittende klær, ledninger eller fester som henger
- Bruk verktøyet bare på åpne steder (ikke for nær en vegg eller andre solide gjenstander) og på et fast, jevnt underlag
- Verktøyet skal oppbevares **innendørs** på et tørt sted hvor det er låst inne og er utliggjelig for barn

#### FØR BRUK

- Sjekk at alle skruer, mutrer, bolter og andre fester er riktig festet og at vern og siler er på plass
- Pass på at matinntaket er tomt

#### UNDER BRUK

- Hold ansiktet og kroppen borte fra matinntaket
- Ikke la hender (eller andre deler av kroppen) eller klær komme innenfor matinntaksåpningen, uttaksåpningen eller i nærheten av noen bevegelige deler.
- Hold riktig balanse og fotfeste til enhver tid. Ikke strekk deg for langt
- Stå aldri høyere enn bunnen av verktøyet når du mater inn materiale
- Hold alltid riktig avstand til utløpssonen når du bruker verktøyet
- Når du mater materiale inn i verktøyet, vær ekstremt nøye med at ikke biter med metall, steiner, flasker, bokser eller andre fremmedlegemer er inkludert
- Hvis kuttemekanismen slår mot en fremmed gjenstand eller hvis verktøyet begynner å gi fra seg uvanlige lyder eller vibrasjoner, slå det straks av og vent til kniven stopper, trekk ut kontakten og gjør følgende
  - kontroller for skade
  - bytt ut eller reparer skadede deler
  - kontroller for og stram eventuelle løse deler
- Ikke la bearbeidet materiale samle seg i utløpsområdet. Dette kan forhindre riktig utløp, som kan resultere i tilbakeføring av materiale gjennom mateinntaksåpningen
- Hvis verktøyet tilstoppes, slå av og la kniven stoppe og trekk ut støpselet før restmateriale fjernes
- Hold motorens kjøleåpninger rene for restmateriale og andre akkumulasjoner for å unngå skade på motoren eller mulig brann
- Ikke tipp eller transporter verktøyet mens motoren er i gang

#### BRUK

- Monteringsanvisninger <sup>(14)</sup>
  - monter hjul med de to nøklene A som følger med og monter verktøyet som vist
  - plasser oppsamlingsposen B under utløpet C
  - monter piggholderen D

- Av/på <sup>(15)</sup>
  - slå verktøyet på/av ved å skyve bryteren E i stilling "I"/"O"
  - ! når du har slått av verktøyet, fortsetter knivene å rotere i noen sekunder**
  - la kuttekniven slutte å rotere før du slår det på igjen
  - ! verktøyet starter ikke med mindre festebryteren F er strammet helt**
  - ! ikke slå raskt av og på**
- Beskyttelsen mot starting på nytt
  - verktøyet starter ikke på nytt av seg selv etter et strøbrudd
  - bruk bryter E <sup>(15)</sup> for å starte verktøyet på nytt
- Overlastvern
  - Overbelastning (f.eks. blokkering av skjærebildet) kan føre verktøyet til å gå i stå
  - vent en kort stund før du slår på verktøyet igjen
  - verktøyet startes på nytt ved å trykke knappen G <sup>(15)</sup> og deretter bryteren E <sup>(15)</sup>
- Kverning <sup>(16)</sup>
  - før materialet som skal hakkes gjennom mateinntaket H
  - sett inn bare så mye materiale at mateinntaket ikke vil bli blokkert
  - ! lengre materiale kan slenges ut når det kuttes**
  - ! små biter med kvernet materiale kan støtes ut fra mateinntaket**
  - ! bruk vernebriller, hørselvern og vernehansker når du bruker verktøyet**
  - ikke ha i mykt avfall i kvernen, for eksempel kjøkkenavfall
  - pass på at hakket materiale kan falle fritt fra utløpet C
  - pass på at ventilasjonsåpningene J <sup>(2)</sup> ikke blir tildekket av oppsamlingsposen eller det hakkede materialet
  - unngå å stoppe til utløpet C med kvernet materiale, da dette kan resultere i tilbakeføring av materiale gjennom mateinntaket H
- Fjerning av blokkering <sup>(17)</sup>
  - ! slå av verktøyet og trekk støpslet ut av kontakten**
  - løsne på festebryteren F og åpne verktøyet som vist
  - rengjør knivområdet (fjern restene som er presset sammen med et tre- eller plastredskap)
  - rengjør også utløpet C for alle rester
  - lukk verktøyet og stram festebryteren F godt
- Reversering/ending av kniven <sup>(18)</sup>
  - ! slå av verktøyet og trekk støpslet ut av kontakten**
  - kniven har en skjærekant på begge sider; hvis én side er blitt sløv, kan derfor den andre siden brukes
  - bytt ut kniven når begge sider er sløve (SKIL reservedelnummer 2610Z02553, merket YAT 8231-545201)
  - løsne på festebryteren F og åpne verktøyet som vist
  - løsne begge knivbolter med sekskantnøkkel L mens du bruker metallplaten M som støtte
  - reverser og monter kniven som vist
  - stram begge knivbolter med sekskantnøkkel L mens du bruker metallplaten M som støtte
  - lukk verktøyet og stram festebryteren F godt

#### BRUKER TIPS

- For best resultat, kvern friske grenser straks etter at de er kuttet
- Bruk pigger K for å mate mykt materiale <sup>(19)</sup>
- Kvern mykt hageavfall i mindre mengder, spesielt når det er vått
- Tilstopning kan unngås ved å kverne grener i perioder



## VEDLIKEHOLD / SERVICE

- Dette verktøyet er ikke beregnet på profesjonell bruk
- Sørg for vedlikehold av verktøyet og hold det rent
  - pass alltid på at ventilasjonsåpninger er frie for restmaterialer
- ! **dra ut støpselet før rengjøring**
- Kontroller regelmessig for defekter som løs, forskjøvet eller skadd kniv, løse fester og slitte eller skadede komponenter
- Få slitte eller skadede deler byttet ut av sikkerhetsmessige årsaker
- Unngå å bøye sikkerhetslåsen N 20 som kan føre til dysfunksjon av verktøyet
- Slå alltid av verktøyet, la kniven stoppe, koble fra støpselet og la verktøyet kjøles av før verktøyet inspiseres, justeres, repareres og/eller lagres
- Oppbevar verktøyet innendørs, på et tørt sted
- Når kvernen repareres, vær klar over at kvernenheten kan flyttes for hånd selv om motoren ikke starter på grunn av sikkerhetslåsfunksjonen i vernet.
- Hvis elektroverktøyet til tross for omhyggelige produksjons- og kontrollmetoder en gang skulle svikte, må reparasjonen utføres av et autorisert serviceverksted for SKIL-elektroverktøy
  - send verktøyet i **montert** tilstand sammen med kjøpebevis til forhandleren eller nærmeste SKIL servicesenter (adresser liksom service diagram av verktøyet finner du på [www.skil.com](http://www.skil.com))

## MILJØ

- **Kast aldri elektroverktøy, tilbehør og emballasje i husholdningsavfallet** (kun for EU-land)
  - i henhold til EU-direktiv 2012/19/EF om kasserte elektriske og elektroniske produkter og direktivets iverksetting i nasjonal rett, må elektroverktøy som ikke lenger skal brukes, samles separat og returneres til et miljøvennlig gjenvinningsanlegg
  - symbolet 12 er påtrykt som en påminnelse når utskiftning er nødvendig

## SAMSVARERKLÆRING CE

- Vi erklærer som eneansvarlig at produktet som beskrives under "Tekniske data" stemmer overens med følgende normer eller normative dokumenter: EN 60335, EN 13683, EN 61000, EN 55014 jf. bestemmelsene i direktivene 2006/95/EF, 2004/108/EF, 2006/42/EF, 2000/14/EF, 2011/65/EU
- **Tekniske underlag hos:** SKIL Europe BV (PT-SEU/ENG1), 4825 BD Breda, NL

Marijn van der Hoofden  
Operations & Engineering

Olaf Dijkgraaf  
Approval Manager

SKIL Europe BV, 4825 BD Breda, NL

19.12.2013

CE11

## STØY

- Målt ifølge 2000/14/EF (EN/ISO 3744) er garantert lydstyrkenivået LWA lavere enn 113 dB(A) (samsvarsbedømmelsesmetode jf. vedlegg V)  
Anmeldt organ: KEMA, Arnhem, NL  
ID-nummer hos anmeldt organ: 0344

FIN

## Silppuri

0770

## ESITTELY

- Tämä työkalua ei ole tarkoitettu ammattikäyttöön
- Tämä työkalu on tarkoitettu kuitupitoisen ja puisen puutarhajätteen silppuamiseen kompostointia varten
- Varmista, että pakkaus sisältää kaikki osat, jotka näkyvät piirroksessa 2
- Jos osia puuttuu tai on vioittunut, ota yhteyttä jälleenmyyjään
- Lue tämä ohjekirja huolella ennen käyttöä ja pidä se tallella tulevia tarpeita varten 3
- **Kiinnitä erityistä huomiota turvallisuutta koskeviin ohjeisiin ja varoituksiin; näiden laiminlyönti voi aiheuttaa vakavan vaurioitumisen**

## TEKNISET TIEDOT 1

- \* Käyttötapa S6 (P40 = 40%) kuvaa kuormitusprofiilia, joka syntyy 4 minuutin käytöstä ja 6 minuutin tyhjäkäynnistä (käytännössä on jatkuva käyttö sallittua)

## LAITTEEN OSAT 2

- A Avain (2)
- B Keruupussi
- C Poistoaukko
- D Työkäluapidike
- E Virtakytkin
- F Kiinnitysnuppi
- G Uudelleenkäynnistyspainike
- H Imuaukko
- J Ilmanvaihto-aukot
- K Työkälu
- L Kuusiokoloavain
- M Metallilevy
- N Turvalukko

## TURVALLISUUS

### ERITYISIÄ TURVAOHJEITA SILPPUREIDEN KÄYTTÖÖN

#### TYÖKALUN SYMBOLIEN SELITYKSET

- 3 Lue käyttöohjeet ennen käyttöä
- 4 Katkaise työkalusta virta ja irrota pistoke ennen sen puhdistusta/huoltoa tai jos johto (tai jatkojohto) on vioittunut tai tarttunut kiinni
- 5 VAARA Terät pyörivät; pidä kädet poissa aukoista työkalun ollessa käynnissä

- ⑥ **Huomioi lentävistä roskista johtuva loukkaantumisriski** (pidä sivulliset turvallisen matkan päässä työskentelyalueelta)
- ⑦ Odota, kunnes työkalun kaikki liikkuvat osat pysähtyneet kokonaan, ennen kuin kosket niihin
- ⑧ Käytä suojahanskoja
- ⑨ Käytä suojalaseja ja kuulonsuojaimia
- ⑩ Suojele työkalua sateelta
- ⑪ Kaksoiseristys (ei tarvita maaajohtoa)
- ⑫ Älä hävitä konetassi tavallisen kotitalousjätteen mukana
- ⑬ Työmaan lähellä tai ulkona olevien pistokkeiden ja pistorasioiden tulee vastata standardin BS 5490 luokkaa IP X4 asianmukaisen suojauksen saamiseksi veden sisääntunkeutumiselta jne., ja kaapelisisääntulot tulee tiivistää tehokkaasti

## YLEISTÄ

- Tätä työkalua ei ole tarkoitettu henkilöiden käyttöön (mukaan lukien lapset), joiden fyysinen, sensorinen tai henkinen viireys on rajoittunut tai joilla ei ole kokemusta tai tietämystä, ellei heidän turvallisuudesta vastaava henkilö ole antanut heille ohjausta tai koulutusta työkalun käytössä
- Varmista, etteivät lapset leiki laitteella
- Varmista, että osat varmasti ohjata työkalua ja käyttää sitä asianmukaisesti
- Älä koskaan anna lasten tai muiden käyttöohjeita tuntemattomien käyttäjä työkalua (paikalliset määräykset voivat sisältää käyttäjän ikää koskevia rajoituksia)
- Älä koskaan käytä työkalua ihmisten välittömässä läheisyydessä; keskeytä sen käyttö, kun lähellä on ihmisiä (etenkin lapsia) tai lemmikkieläimiä
- Käyttäjää vastaa tapaturmista tai vaaratilanteista, joita aiheutuu muille ihmisille tai heidän omaisuudelleen
- Pidä kaikki suojukset ja ilmvavirran ohjauslevyt paikoillaan ja hyvässä toimintakunnossa
- Katkaise aina virta työkalusta, anna leikkuuterän pysähtyä ja irrota pistoke
  - kun työkalu jää valvomatta
  - ennen tukoksen muodostaneen materiaalin poistamista
  - ennen työkalun tarkistamista, puhdistusta tai käyttöä
- ! **ennen keruupussin asennusta tai poistamista**

## SÄHKÖTURVALLISUUS

- Tarkista aina, että syöttöjännite on sama kuin työkalun nimilaatan osoittama jännite
- Tarkasta johto ajoittain ja vaan toimita se valtuutettuun huoltoliikkeeseen, kun johto on vioittunut
- Tarkista jatkojohto säännöllisesti ja vaihda se, jos se on vioittunut (**vialiset jatkojohdot voivat olla vaarallisia**)
- Kun käytät työkalua kosteassa ympäristössä, käytä vikavirtakytkintä (RCD), jonka laukaisuvirta on enintään 30 mA
- Käytä vain ulkona käytettävää jatkojohtotyyppiä H05VV-F tai H05RN-F, jotka on varustettu vesitiiviillä pistokkeella ja liittimellä
- Katkaise työkalusta aina virta ja irrota pistoke virtalähteestä, jos virtajohto tai jatkojohto katkeaa, vaurioituu tai jää jumiin (**älä koske johtoon ennen pistokkeen irrottamista**)
- Vioittunut virtajohto tulee aina vaihdattaa SKIL-huoltoliikkeessä vaaratilanteiden välttämiseksi
- Käytä täysin rullaamattomia ja turvallisia jatkejohtoja, joiden kapasiteetti on 16 ampeeria
- Pidä (jatko)johto poissa lämpölähteiden, öljyn ja terävien reunojen läheltä

- Älä juokse (jatko)johdon yli, murskaa sitä tai vedä siitä
- Käytä ainoastaan jatkojohtoja, joiden maksimipituus on 20 metriä (1,5 mm<sup>2</sup>) tai 50 metriä (2,5 mm<sup>2</sup>)

## HENKILÖTURVALLISUUS

- Älä käytä työkalua paljain jaloin tai avoimet sandaalit jalassa; käytä aina tukevia kenkiä ja pitkiä housuja
- Vältä löysiä vaatteita sekä riippuvia nyörejä tai solmioita
- Käytä työkalua vain avoimessa tilassa (ei liian lähellä seinää tai muita kiinteitä esineitä) ja tukevalla, tasaisella pinnalla
- Säilytä työkalu **sisätiloissa** kuivassa ja lukitussa paikassa lasten ulottumattomissa

## ENNEN KÄYTTÖÄ

- Tarkista, että kaikki ruuvit, mutterit, pultit ja muut kiinnikkeet ovat kunnolla paikoillaan ja että kaikki suojukset ja sihdit ovat paikoillaan
- Varmista, että syöttöaukko on tyhjä

## KÄYTÖN AIKANA

- Pidä kasvoja ja kehosi poissa tuloaukon luota
- Älä päästä käsiä (tai muita kehon osia) tai vaatteita tuloaukon tai poistoaukon sisään tai lähelle mitään liikkuvaa osaa
- Säilytä aina kunnollinen tasapaino ja jalansija; älä kurottele liian pitkälle
- Älä koskaan seiso korkeammalla kuin työkalun pohjan tasolla materiaalia syöttäessäsi
- Pysytele aina riittävän kaukana poistoalueelta työkalua käyttäessäsi
- Kun syötät materiaalia työkalun sisään, noudata äärimmäistä varovaisuutta, ettei materiaalin mukana mene sisään metallinpaloja, kiviä, pulloja, astioita tai muita vieraita esineitä
- Jos leikkuumeکانismi osuu vieraaseen esineeseen tai työkalusta alkaa kuulua epätavallista melua tai täriää, katkaise siitä heti virta, anna leikkuuterän pysähtyä, irrota pistoke ja toimi seuraavasti
  - tarkista vaurioiden varalta
  - vaihda tai korjaa vaurioituneet osat
  - tarkista löysien osien varalta ja kiristä ne tarvittaessa
- Älä päästä käsiteltyä materiaalia kertymään poistoalueelle; se voi estää asianmukaisen tyhjentämisen, mistä taas voi seurata materiaalin lentämistä takapotkun mukana tuloaukon läpi
- Jos työkalu tukkeutuu, katkaise siitä virta, anna leikkuuterän pysähtyä ja irrota pistoke ennen roskien poistamista
- Pidä moottorin tuuletusaukot puhtaina roskista ja muusta kertyneestä materiaalista estääksesi moottorin vauriot tai mahdollisen syttymisen
- Älä kallista tai kuljeta työkalua moottorin ollessa käynnissä

## KÄYTTÖ

- Kokoonpano-ohjeet <sup>14</sup>
  - kiinnitä pyörät mukana tulleilla kahdella avaimella A ja kokoa työkalu kuten kuvassa
  - aseta keruupussi B poistoaukon alapolelle C
  - asenna työkalupidike D
- Käynnistys/pysäytys <sup>15</sup>
  - käynnistä tai sammuta kone painamalla kytkin E asentoon "I"/"O"
- ! **kun työkalusta on katkaistu virta, terä pyörii vielä muutaman sekunnin ajan**
  - anna leikkuuterän pysähtyä, ennen kuin käynnistät laitteen uudelleen

**! työkalu ei käynnisty, ellei kiinnitysnuppia F ole kiristetty kokonaan**

**! älä katkaise ja kytkte virtaa nopeasti**

- Käynnistä suojaus uudelleen
- sähkökatkoksen jälkeen työkalu ei käynnisty uudelleen itsestään
- käytä painiketta E <sup>15</sup> työkalun uudelleenkäynnistykseen
- Ylikuormitus suojaus  
Ylikuormitus (esim. leikkuuterän jumittuminen) voi johtaa työkalun pysähtymiseen
- odota hetki ennen työkalun käynnistämistä uudelleen
- käynnistä työkalu uudelleen painamalla painiketta G <sup>15</sup> ja sitten katkaisinta E <sup>15</sup>
- Silppuaminen <sup>16</sup>
- syötä silputtava materiaali laitteeseen tuloaukon kautta H
- syötä kerralla vain sen verran materiaalia kuin on mahdollista ilman tuloaukon tukkeutumista
- ! pidempi materiaali voi osua käyttäjään leikkauksen aikana**
- ! pieniä paloja silputtua materiaalia voi lentää ulos uloaukosta**

**! käytä suojalaseja, kuulosuojaimia ja suojakäsineitä työkalua käyttäessäsi**

- älä laita silppuriin pehmeää jätettä kuten keittiöjätteitä
- varmista, että silputtu materiaali pääsee putoamaan vapaasti poistoaukosta C
- varmista, ettei keruupussi tai silputtu materiaali peitä tuuletusaukkoja J <sup>2</sup>
- vältä poistoaukon tukkimista C silputulla materiaalilla, koska tämän johdosta materiaalia lentäisi takaputkun mukana ulos tuloaukosta H
- Tukoksen poistaminen <sup>17</sup>
- ! sammuta kone ja irrota pistoke pistorasiasta**
- löysää kiinnitysnuppia F ja avaa työkalu kuten kuvassa
- puhdista terien alue (poista sinne pakkautuneet roskat puisella tai muovisella työkalulla
- poista myös poistoaukosta C mahdolliset roskat
- sulje työkalu ja kiristä kiinnitysnuppia F tukevasti
- Leikkuuterän kääntäminen/vaihtaminen <sup>18</sup>

**! sammuta kone ja irrota pistoke pistorasiasta**

- leikkuuterässä on leikkaava terä kummallakin puolella; jos toinen puoli on tylsä, voi käyttää toista puolta
- vaihda leikkuuterä, kun molemmat puolet ovat tylsiä (SKIL-varaosanumero 2610Z02553, merkintä YAT 8231-545201)
- löysää kiinnitysnuppia F ja avaa työkalu kuten kuvassa
- löysää terän molemmat pultit kuusiokoloavaimella L käyttäen metallilevyä M tukena
- käännä ja asenna leikkuuterä kuten kuvassa
- kiristä terän molemmat pultit kuusiokoloavaimella L käyttäen metallilevyä M tukena
- sulje työkalu ja kiristä kiinnitysnuppia F tukevasti

## VINKKEJÄ

- Parhaan tuloksen saat, kun silppuat tuoreet oksat pian niiden katkaisemisen jälkeen
- Käytä työkalua K pehmeän materiaalin syöttämiseen <sup>19</sup>
- Silppua pehmeä puutarhajäte pienempinä erinä, etenkin kun se on märkää
- Tukokset voi välttää silppuamalla välillä oksia

## HOITO / HUOLTO

- Tätä työkalua ei ole tarkoitettu ammattikäyttöön
- Huolla työkalua huolellisesti ja pidä se puhtaana
  - varmista aina, ettei tuuletusaukoissa ole roskia
- ! irrota liitosjohto aina puhdistuksen ajaksi pistorasiasta**
- Tarkista laite säännöllisesti vikojen, kuten löysän, siirtyneen tai vaurioituneen terän, löysien kiinnitysten sekä kuluneiden tai vaurioituneiden osien varalta
- Vaihdata kuluneet tai vaurioituneet osat turvallisuusyistä
- Vältä taivuttamasta turvalukkoa N <sup>20</sup>, sillä siitä voisi seurata työkalun toimintahäiriöitä
- Katkaise työkalusta aina virta, anna leikkuuterän pysähtyä, irrota pistoke ja anna työkalun jäähtyä ennen sen tarkistamista, säätämistä, huoltoa ja/tai varastoon viemistä
- Säilytä työkalu sisällä kuivassa paikassa
- Kun huollat silppuria, huomaa, että vaikka moottori ei käynnisty suojuksen turvalukkoitoinnin vuoksi, silppuria voi silti liikuttaa käsin
- Jos sähkötyökalussa, huolellisesta valmistuksesta ja koestusmenettelystä huolimatta esiintyy vikaa, tulee korjauks antaa SKIL sopimushuollon tehtäväksi
  - toimita työkalu sita osiin **purkamatta** lähimpään SKIL-huoltoon (osoitteet ja työkalun huoltokaava ovat tarjolla web-osoitteessa [www.skil.com](http://www.skil.com)) ostotodiste mukaan liitettynä

## YMPÄRISTÖNSUOJELU

- **Älä hävitä sähkötyökalua, tarvikkeita tai pakkausta tavallisen kotitalousjätteen mukana** (koskee vain EU-maita)
  - vanhoja sähkö- ja elektroniikkalaitteita koskevan EU-direktiivin 2012/19/ETY ja sen maakohtaisten sovelletusten mukaisesti käytetyt sähkötyökalu on toimitettava ongelmajätteen keräyspisteeseen ja ohjattava ympäristöstä välttävään kierrätykseen
  - symboli <sup>12</sup> muistuttaa tästä, kun käytöstä poisto tulee ajankohtaiseksi

## VAATIMUSTEN- MUKAISUUSVAKUUTUS CE

- Vakuutamme yksin vastaavamme siitä, että kohdassa "Tekniset tiedot" selostettu tuote vastaa seuraavia standardeja tai standardoituja asiakirjoja: EN 60335, EN 13683, EN 61000, EN 55014 direktiivien 2006/95/EY, 2004/108/EY, 2006/42/EY, 2000/14/EY, 2011/65/EU määräysten mukaan
- **Tekninen tiedosto kohdasta:** SKIL Europe BV (PT-SEU/ENG1), 4825 BD Breda, NL

Marijn van der Hoofden  
Operations & Engineering

Olaf Dijkgraaf  
Approval Manager

SKIL Europe BV, 4825 BD Breda, NL

19.12.2013

CE11

## MELU

- Mitattuna 2000/14/EY (EN/ISO 3744) mukaan taattu äänenvoimakkuustaso LWA on alle 113 dB(A) (yhteensopivuuden arviointimenetelmä liitteen V mukaan) ilmoitettu tarkastuslaitos: KEMA, Arnhem, NL ilmoitetun tarkastuslaitoksen tunnistenumero: 0344

E

## Trituradora

0770

### INTRODUCCIÓN

- Esta herramienta no está concebida para uso profesional
- Esta herramienta se ha diseñado para el corte de residuos fibrosos y leñosos de jardinería para compostaje
- Compruebe que el paquete contiene todas las piezas según se ilustra en la figura ②
- Cuando faltan piezas o se dañan, póngase en contacto con su distribuidor
- Lea este manual de instrucciones cuidadosamente antes de utilizarlo y guárdelo para consultas futuras ③
- **Preste especialmente atención a las instrucciones y advertencias de seguridad; en caso contrario pueden ocurrir graves lesiones**

### DATOS TÉCNICOS ①

- \* El modo de operación S6 (P40 = 40%) viene determinado por la solicitud que resulta de una operación con 4 min bajo cargay 6 min en vacío (en la práctica es admisible la operación con régimen de trabajo permanente)

### ELEMENTOS DE LA HERRAMIENTA ②

- A Llave (2)
- B Bolsa de recogida
- C Salida
- D Soporte del empujador
- E Interruptor de activación/desactivación
- F Botón de fijación
- G Botón de reactivación
- H Apertura de entrada de alimentación
- J Ranuras de ventilación
- K Empujador
- L Llave hexagonal
- M Placa metálica
- N Bloqueo de seguridad

### SEGURIDAD

#### INSTRUCCIONES DE SEGURIDAD ESPECÍFICAS PARA TRITURADORAS

#### EXPLICACIÓN DE LOS SÍMBOLOS DE LA HERRAMIENTA

- ③ Lea el manual de instrucciones antes de utilizarla
- ④ Apague y desconecte el enchufe antes de realizar tareas de limpieza o mantenimiento o si el cable (de prolongación) se daña o enreda

- ⑤ **PELIGRO** Cuchillas giratorias; mantenga las manos fuera de las aberturas cuando la herramienta está en funcionamiento
- ⑥ **Preste atención al riesgo de lesiones provocadas por la proyección de desechos** (mantenga a los transeúntes a una distancia de seguridad respecto al área de trabajo)
- ⑦ Espere a que todos los componentes móviles de la herramienta se hayan parado por completo antes de tocarlos
- ⑧ Llevar guantes de protección
- ⑨ Utilice gafas de protección y protección para los oídos
- ⑩ No exponga la herramienta a la lluvia
- ⑪ Doble aislamiento (no requiere cable de tierra)
- ⑫ No desheche la herramienta junta con los residuos domésticos
- ⑬ Los enchufes y las tomas situados cerca del lugar de trabajo o en el exterior deben ser de la clase IP X4 de BS 5490 para ofrecer una protección adecuada frente a la entrada de agua, etc. y las entradas de cables requieren una estanqueidad eficaz

#### GENERAL

- Esta herramienta no está pensada para ser utilizada por personas (incluidos niños) con capacidades físicas, sensoriales o mentales disminuidas o falta de experiencia y conocimientos, a menos que estén bajo la supervisión o instrucciones relativas al uso de la herramienta por parte de una persona responsable de su seguridad
- Asegúrese de que los niños no jueguen con la herramienta
- Familiarícese con los controles y con el uso adecuado de la herramienta
- No permita nunca que los niños o las personas no familiarizadas con las instrucciones de funcionamiento utilicen la herramienta (la normativa local puede ser restrictiva respecto a la edad de quien la maneja)
- En ningún caso maneje la herramienta en la proximidad inmediata de personas; deje de usar la herramienta mientras se encuentran alrededor personas (especialmente niños) o animales
- El usuario es responsable de los accidentes o riesgos que sufran otras personas o sus bienes
- Mantenga colocados y en buen estado de funcionamiento todos los deflectores y protecciones
- En todos los casos, apague la herramienta, deje que la cuchilla de corte se detenga y desconecte el enchufe
  - cuando deje desatendida la herramienta
  - antes de retirar material atascado
  - antes de comprobar o limpiar la herramienta, o de trabajar en ella
- ! **antes de montar o extraer la bolsa de recogida**

#### SEGURIDAD ELÉCTRICA

- Compruebe siempre que la tensión de alimentación es la misma que la indicada en la placa de características de la herramienta
- Inspeccione el cable periódicamente y, si estuviera dañado, hágalo cambiar por una persona calificada
- Inspeccione periódicamente el cable de extensión y sustitúyalo si está deteriorado (**los cables de extensión inadecuados pueden ser peligrosos**)
- Al manejar la herramienta en entornos húmedos, utilice un dispositivo de corriente residual (DCR) con una corriente de activación de 30 mA como máximo

- Utilice únicamente un cable de prolongación de los tipos H05VV-F o H05RN-F, adecuados para su uso en el exterior y equipados con toma de acoplamiento y enchufe herméticos
- Apague la herramienta y desconecte el enchufe de la fuente de alimentación siempre que el cable de dicha fuente o el cable de alimentación sufran un corte, se dañen o se enreden (**no toque el cable antes de desconectar el enchufe**)
- Para evitar riesgos, los cables de alimentación deteriorados deben ser sustituidos exclusivamente en un servicio técnico autorizado por SKIL
- Utilice cables de extensión seguros y completamente desenrollados con una capacidad de 16 amperios
- Proteja el cable (de extensión) del calor, el aceite y los bordes afilados
- No atropelle ni aplaste el cable (de extensión), ni tire del mismo
- Use sólo cables de prolongación con una longitud máxima de 20 metros (1,5 mm<sup>2</sup>) o 50 metros (2,5 mm<sup>2</sup>)

### SEGURIDAD DE PERSONAS

- No trabaje con la herramienta si está descalzo o lleva calzado abierto; lleve siempre calzado resistente y pantalones largos
- No lleve ropa holgada que quede suelta o tenga cordones o lazos colgando
- Utilice la herramienta exclusivamente en espacios abiertos (no demasiado cerca de paredes ni de otros objetos sólidos) y en una superficie firme y nivelada
- Guarde la herramienta **dentro de la casa** en un lugar seco y cerrado con llave, lejos del alcance de los niños

### ANTES DEL USO

- Compruebe que todos los tornillos, tuercas, pernos y resto de fijaciones están adecuadamente fijados y que las protecciones y las pantallas se encuentran colocadas
- Asegúrese de que la entrada de alimentación está vacía

### DURANTE EL USO

- Mantenga la cara y el cuerpo alejados de la abertura de entrada de alimentación
- Evite que las manos (u otra parte del cuerpo) o la ropa se introduzcan en la abertura de entrada de alimentación o en la de salida, o se acerquen a cualquier pieza móvil
- Mantenga en todo momento un apoyo y un equilibrio adecuados; evite las posturas forzadas
- No permanezca nunca en un nivel superior al de la base de la herramienta al introducir materiales
- Al manejar la herramienta, mantenga siempre una distancia adecuada respecto a la zona de salida
- Al introducir materiales en la herramienta tenga el máximo cuidado de que no entren fragmentos metálicos, rocas, botellas, latas ni ningún otro objeto extraño
- Si el mecanismo de corte golpea un objeto extraño o si la herramienta emite cualquier ruido o vibración anormal al arrancar, apague inmediatamente, deje que se detenga la cuchilla, desconecte el enchufe y ejecute los siguientes pasos
  - verifique la ausencia de daños
  - sustituya o repare cualquier pieza dañada
  - verifique la ausencia de piezas sueltas y, si hay, apriéte las
- No permita que se acumule en la zona de salida el material procesado; esto puede impedir una descarga adecuada, lo que puede provocar la proyección hacia atrás de material a través de la abertura de entrada de alimentación

- Si se produce un atasco en la herramienta, apague, deje que la cuchilla de corte se detenga y desconecte el enchufe antes de despejar el atasco
- Mantenga las aberturas de refrigeración del motor limpias de residuos y de acumulación de materiales para evitar daños en el motor o un posible incendio
- No incline ni transporte la herramienta cuando el motor está en funcionamiento

## USO

- Instrucciones de montaje <sup>(14)</sup>
  - instale las ruedas con las dos llaves A suministradas y proceda al montaje como figura en la ilustración
  - coloque la bolsa de recogida B bajo la salida C
  - monte el soporte del empujador D
- Encendido/apagado <sup>(15)</sup>
  - encienda/apague la herramienta empujando el interruptor E a la posición "I"/"O"
  - ! **tras apagar la herramienta, la hoja continúa girando durante unos segundos**
  - espere a que la cuchilla de corte deje de girar antes de encender de nuevo
  - ! **la herramienta no arrancará a menos que el botón de fijación F esté totalmente apretado**
  - ! **no encienda y apague rápidamente**
- Protección contra la reactivación
  - después de un corte de corriente, la herramienta no se vuelve a poner en marcha por sí sola
  - utilice el interruptor E <sup>(15)</sup> para volver a activar la herramienta
- Protección contra sobrecarga
 

Una sobrecarga (por ejemplo, por bloqueo de la hoja de corte) puede dar lugar a una parada de la herramienta

  - espere unos instantes antes de volver a encender la herramienta
  - para reiniciar la herramienta, pulse primero el botón G <sup>(15)</sup> y luego el interruptor E <sup>(15)</sup>
- Trituración <sup>(16)</sup>
  - introduzca el material a triturar a través de la abertura de entrada de alimentación H
  - introduzca sólo la cantidad adecuada de material de modo que no se bloquee la entrada de alimentación
  - ! **los materiales de mayor longitud pueden golpear a otros elementos al ser cortados**
  - ! **los fragmentos pequeños de material triturado pueden ser proyectados por la abertura de entrada de alimentación**
  - ! **lleve gafas de seguridad, protección acústica y guantes de seguridad al utilizar la herramienta**
  - no introduzca residuos blandos, como residuos domésticos, en la trituradora
  - asegúrese de que el material triturado puede caer sin obstáculos por la salida C
  - asegúrese de que las ranuras de ventilación J <sup>(2)</sup> no quedan tapadas por la bolsa de recogida o por el material triturado
  - evite el bloqueo de la salida C con material triturado, dado que esto puede provocar la proyección hacia atrás de material a través de la abertura de entrada de alimentación H

- Eliminación de bloqueos <sup>(17)</sup>
  - ! **pare la herramienta y desenchúfela**
  - afloje el botón de fijación F y abra la herramienta como se muestra en la ilustración
  - limpie el área de la cuchilla (retire los restos compactados con un elemento de madera o plástico)
  - limpie también todos los residuos de la salida C
  - cierre la herramienta y apriete firmemente el botón de fijación F
- Inversión/cambio de la cuchilla de corte <sup>(18)</sup>
  - ! **pare la herramienta y desenchúfela**
  - la cuchilla de corte dispone de borde cortante en ambos lados, de modo que si un lado ha quedado desafilado se puede utilizar el otro
  - sustituya la cuchilla de corte cuando estén desafilados ambos lados (pieza de repuesto de SKIL número 2610Z02553, marcada YAT 8231-545201)
  - afloje el botón de fijación F y abra la herramienta como se muestra en la ilustración
  - afloje los pernos de la cuchilla con la llave hexagonal L utilizando a la vez la placa metálica M como soporte
  - dé la vuelta a la cuchilla de corte e instálala como se muestra en la ilustración
  - apriete los pernos de la cuchilla con la llave hexagonal L utilizando a la vez la placa metálica M como soporte
  - cierre la herramienta y apriete firmemente el botón de fijación F

## CONSEJOS DE APLICACIÓN

- Para conseguir mejores resultados, tritura el ramaje fresco, poco después de haber sido cortado
- Utilice el empujador K para alimentar el material blando <sup>(19)</sup>
- Triture los residuos blandos de jardinería en cargas pequeñas, en particular cuando están húmedos
- Se pueden evitar bloqueos triturando ramas de forma intermitente

## MANTENIMIENTO / SERVICIO

- Esta herramienta no está concebida para uso profesional
- Realice adecuadamente el mantenimiento de la herramienta y consérvela limpia
  - asegúrese siempre de que las aberturas de ventilación se mantienen libres de restos
- ! **desenchufar la herramienta antes de limpiar**
- Verifique con regularidad la ausencia de defectos, como hoja suelta, desplazada o dañada, fijaciones aflojadas y componentes desgastados o deteriorados
- Por razones de seguridad, haga que se sustituyan las piezas desgastadas o deterioradas
- Evite que se doble el bloqueo de seguridad N <sup>(20)</sup>, hecho que podría provocar el fallo de funcionamiento de la herramienta
- En todos los casos, apague la herramienta, deje que se detenga la cuchilla de corte, desconecte el enchufe y deje que la herramienta se enfríe antes de realizar tareas de inspección, ajuste, mantenimiento o almacenamiento de la herramienta
- Guarde la herramienta en un lugar interior y seco
- Al realizar tareas de mantenimiento de la trituradora tenga en cuenta que, incluso aunque el motor no vaya a

- arrancar debido a la función de bloqueo de seguridad de la protección, la trituradora se puede aún mover a mano
- Si a pesar de los esmerados procesos de fabricación y control, la herramienta llegase a averiarse, la reparación deberá encargarse a un servicio técnico autorizado para herramientas eléctricas SKIL
  - envíe la herramienta **sin desmontar** junto con una prueba de su compra a su distribuidor o a la estación de servicio más cercana de SKIL (los nombres así como el despique de piezas de la herramienta figuran en [www.skil.com](http://www.skil.com))

## AMBIENTE

- **No deseche las herramientas eléctricas, los accesorios y embalajes junto con los residuos domésticos** (sólo para países de la Unión Europea)
  - de conformidad con la Directiva Europea 2012/19/CE sobre residuos de aparatos eléctricos y electrónicos y su aplicación de acuerdo con la legislación nacional, las herramientas eléctricas cuya vida útil haya llegado a su fin se deberán recoger por separado y trasladar a una planta de reciclaje que cumpla con las exigencias ecológicas
  - símbolo <sup>(12)</sup> llamará su atención en caso de necesidad de tirarlas

## DECLARACIÓN DE CONFORMIDAD CE

- Declaramos bajo nuestra sola responsabilidad que el producto descrito bajo "Datos técnicos" está en conformidad con las normas o documentos normalizados siguientes: EN 60335, EN 13683, EN 61000, EN 55014 de acuerdo con las disposiciones en las directivas 2006/95/CE, 2004/108/CE, 2006/42/CE, 2000/14/CE, 2011/65/UE
- **Expediente técnico en:** SKIL Europe BV (PT-SEU/ENG1), 4825 BD Breda, NL

Marijn van der Hoofden  
Operations & Engineering

Olaf Dijkgraaf  
Approval Manager




SKIL Europe BV, 4825 BD Breda, NL

19.12.2013

CE11

## RUIDOS

- Medido según 2000/14/CE (EN/ISO 3744) el nivel de potencia acústica LWA garantizado es inferior a 113 dB(A) (procedimiento para evaluación de la conformidad según anexo V)
- Entidad acreditada: KEMA, Arnhem, NL
- Número de identificación de la entidad acreditada: 0344



## Triturador

0770

### INTRODUÇÃO

- Esta ferramenta não se destina a utilização profissional
- Esta ferramenta destina-se ao corte de lixo do jardim fibroso e lenhoso para compostagem
- Verifique se a embalagem contém todas as peças conforme apresentado no desenho ②
- Quando faltarem peças ou estiverem danificadas, contacte o revendedor
- Leia este manual de instruções cuidadosamente antes de utilizar e guarde-o para futura referência ③
- **Dê especial atenção às instruções e avisos de segurança; a não observação das respectivas recomendações poderá resultar em lesões graves**

### DADOS TÉCNICOS ①

- \* O tipo de funcionamento S6 (P40 = 40%) denomina um perfil de carga de trabalho, que suporta 4 minutos de carga e 6 minutos de marcha em vazio (para a utilização prática é permitido um funcionamento contínuo)

### ELEMENTOS DA FERRAMENTA ②

- A Chave (2)
- B Saco de recolha
- C Orifício de descarga
- D Suporte do estimulador
- E Interruptor para ligar/desligar
- F Botão de fixação
- G Botão de reinicialização
- H Abertura de entrada de material
- J Aberturas de ventilação
- K Estimulador
- L Chave sextavada
- M Placa metálica
- N Trinco

### SEGURANÇA

#### INSTRUÇÕES DE SEGURANÇA ESPECÍFICAS PARA TRITURADORES

#### EXPLICAÇÃO DOS SÍMBOLOS DA FERRAMENTA

- ③ **Leia o manual de instruções antes de utilizar o equipamento**
- ④ **Desligue e retire a ficha antes da limpeza/manutenção ou se o cabo (extensão) estiver danificado ou emaranhado**
- ⑤ **PERIGO** Lâminas rotativas; mantenha as mãos afastadas das aberturas enquanto a ferramenta está em funcionamento
- ⑥ **Tenha atenção ao risco de lesão provocado pelos resíduos móveis** (mantenha as pessoas a uma distância segura da área de trabalho)
- ⑦ Aguarde até todos os componentes móveis da ferramenta pararem completamente antes de lhes tocar
- ⑧ Usar luvas de protecção
- ⑨ Use óculos de protecção e protectores para os ouvidos

- ⑩ Não exponha a ferramenta à chuva
- ⑪ Isolamento duplo (nenhum fio de terra necessário)
- ⑫ Não deite a ferramenta no lixo doméstico
- ⑬ As fichas e as tomadas existentes junto ao local de trabalho ou à rua devem ser da classe IP X4 da BS 5490 para fornecer protecção adequado contra a entrada da água, etc., e as entradas dos cabos requerem uma vedação eficaz

#### GENERAL

- Esta ferramenta não deve ser utilizada por pessoas (incluindo crianças) com deficiências físicas, sensoriais ou mentais, ou falta de experiência e conhecimentos, excepto se tiverem supervisão ou receberem instrução relacionada com a utilização da ferramenta por uma pessoa responsável pela sua segurança
- Certifique-se de que as crianças não brinquem com a ferramenta
- Familiarize-se com os controlos e a utilização adequada da ferramenta
- Nunca deixe crianças ou pessoas não familiarizadas com as instruções de funcionamento utilizarem a ferramenta (os regulamentos locais podem limitar a idade do operador)
- Nunca utilize a ferramenta junto a pessoas; pare de utilizar a ferramenta enquanto as pessoas (especialmente as crianças) ou os animais estiverem nas redondezas
- O utilizador é responsável pelos acidentes ou perigos que ocorram com outras pessoas ou a sua propriedade
- Mantenha todos os deflectores e as guardas no lugar e em boas condições de funcionamento
- Desligue sempre a ferramenta, deixe a lâmina de corte parar e desligue a ficha
  - quando deixar a ferramenta sem vigilância
  - antes de retirar material encravado
  - antes de verificar, limpar ou trabalhar na ferramenta

#### ! antes de montar ou remover o saco de recolha

#### SEGURANÇA ELÉCTRICA

- Certifique-se sempre de que a tensão de alimentação está de acordo com a tensão indicada na placa de identificação da ferramenta
- Inspeccione periodicamente o fio e mandando-o substituir por pessoal qualificado, se ele estiver danificado
- Inspeccione o cabo de extensão periodicamente e substitua-o, se danificado (**os cabos de extensão inadequados podem ser perigosos**)
- Quando operar a ferramenta em ambientes húmidos, utilize um dispositivo de corrente residual (RCD) com uma corrente de accionamento de 30 mA no máximo
- Utilize apenas um cabo de extensão H05VV-F ou H05RN-F destinado a utilização exterior e equipado com uma ficha impermeável e uma união de tomada
- Desligue sempre a ferramenta e retire a ficha da fonte de alimentação se o cabo de alimentação ou o cabo de extensão estiver cortado, danificado ou emaranhado (**não toque no cabo antes de desligar a ficha**)
- Um cabo de alimentação danificado é substituído no centro de assistência da SKIL apenas para evitar um perigo
- Utilize extensões completamente desenroladas e seguras, com uma capacidade de 16 Amp
- Proteja o cabo (extensão) de fontes de calor, de óleo e de arestas aguçadas

- Não passe por cima, esmague ou puxe o cabo (extensão)
- Utilize apenas cabos de extensão com um comprimento máximo de 20 metros (1,5 mm<sup>2</sup>) ou 50 metros (2,5 mm<sup>2</sup>)

### SEGURANÇA DE PESSOAS

- Não utilize a ferramenta quando estiver descalço ou com sandálias abertas; use sempre sapatos fortes e calças longas
- Evite usar vestuário muito largo, gravatas ou fios pendentes
- Utilize apenas a ferramenta em espaço aberto (não demasiado junto a uma parede ou outros objectos sólidos) e numa superfície nivelada e firme
- Guarde a ferramenta **no interior** num local seco e seguro, fora do alcance das crianças

### ANTES DA UTILIZAÇÃO

- Verifique se todos os parafusos, porcas, Pernos e outros fechos estão fixos correctamente e se todas as anteparas e guardas estão no lugar
- Certifique-se de que a entrada de material está vazia

### DURANTE A UTILIZAÇÃO

- Mantenha a cara e o corpo afastados da abertura da entrada de material
- Não deixe as mãos (ou qualquer outra parte do corpo) ou o vestuário dentro da abertura da entrada de material, da abertura da saída ou junto a qualquer peça móvel
- Mantenha sempre a posição dos pés e o equilíbrio adequados; não se exceda
- Nunca fique num nível mais elevado do que a base da ferramenta quando alimentar material
- Mantenha sempre a distância adequada da zona da saída quando utilizar a ferramenta
- Quando colocar material na ferramenta, tenha muito cuidado para não incluir pedaços de metal, pedras, garrafas, latas ou outros objectos estranhos
- Se mecanismo de corte bater em qualquer objecto estranho ou se a ferramenta começar a fazer vibrações ou ruídos estranhos, desligue imediatamente a ferramenta, deixe a lâmina de corte parar, desligue a ficha e efectue os procedimentos seguintes
  - inspecione se existem danos
  - substitua ou repare quaisquer peças danificadas
  - verifique e aperte quaisquer peças soltas
- Não deixe o material processado acumular-se na zona da saída; isto pode impedir a descarga adequada que pode resultar no retorno do material pela abertura da entrada de material
- Se a ferramenta ficar obstruída, desligue-a, deixe a lâmina de corte parar e desligue a ficha antes de limpar os resíduos
- Mantenha as ventoinhas de arrefecimento do motor sem resíduos e outras acumulações para impedir danos no motor ou possíveis incêndios
- Não incline nem transporte a ferramenta com o motor em funcionamento

### MANUSEAMENTO

- Instruções de montagem <sup>(14)</sup>
  - monte as rodas com as duas chaves A fornecidas e monte a ferramenta conforme ilustrado
  - posicione o saco de recolha B abaixo da saída C
  - monte o suporte do estimulador D

- Ligar/desligar <sup>(15)</sup>
  - ligue/desligue a ferramenta premindo o interruptor E para a posição "I"/"O"
  - ! **depois de desligar a ferramenta, a lâmina continua a rodar durante alguns segundos**
  - deixe a lâmina de corte parar de rodar antes de voltar a ligar
  - ! **a ferramenta não liga, excepto se o botão de fixação F estiver completamente apertado**
  - ! **não ligue e desligue rapidamente**
- Protecção de reinicialização
  - após uma falha de corrente eléctrica, a ferramenta não se liga sozinha
  - prima o interruptor E <sup>(15)</sup> para voltar a ligar a ferramenta
- Protecção contra sobrecargas
 

A sobrecarga (ex. bloqueio da lâmina de corte) pode conduzir a uma paragem da ferramenta

  - aguarde um curto período de tempo antes de voltar a ligar a ferramenta
  - volte a ligar a ferramenta, premindo o botão G <sup>(15)</sup> e, em seguida, o interruptor E <sup>(15)</sup>
- Trituração <sup>(16)</sup>
  - coloque o material a cortar através da abertura da entrada de material H
  - introduza apenas a quantidade de material necessária para não bloquear a entrada de material
  - ! **o material mais longo poderá sair durante o corte**
  - ! **pequenos pedaços de material triturado poderão ser ejectados da abertura da entrada de material**
  - ! **use óculos de protecção, protecção auditiva e luvas de protecção quando utilizar a ferramenta**
  - não coloque lixo leve, como lixo da cozinha no triturador
  - certifique-se de que o material cortado pode cair livremente da saída C
  - certifique-se de que as ranhuras de ventilação J <sup>(2)</sup> não ficam cobertas pelo saco de recolha ou pelo material cortado
  - evite bloquear a saída C com material triturado, porque isto poderá provocar o retorno do material através da abertura da entrada de material H
- Remoção dos bloqueios <sup>(17)</sup>
  - ! **desligue a ferramenta e retire a ficha da tomada**
  - desaperte o botão de fixação F e abra a ferramenta conforme ilustrado
  - limpe a área da lâmina (remova os resíduos compactos com um acessório de plástico ou dispositivo)
  - limoe também qualquer resíduo da C saída
  - feche a ferramenta e aperte o botão de fixação F firmemente
- Inversão/substituição da lâmina de corte <sup>(18)</sup>
  - ! **desligue a ferramenta e retire a ficha da tomada**
  - a lâmina de corte tem uma extremidade de corte em ambos os lados; por conseguinte, se um lado ficar rombo, pode utilizar o outro lado
  - substitua a lâmina de corte quando ambos os lados estiverem rombos (número de peça sobresselente da SKIL 2610Z02553, YAT 8231-545201)
  - desaperte o botão de fixação F e abra a ferramenta conforme ilustrado
  - desaperte ambos os parafusos da lâmina com a chave hexagonal L enquanto utiliza a placa metálica M como suporte



- inverta e monte a lâmina de corte conforme ilustrado
- aperte ambos os parafusos da lâmina com a chave hexagonal L enquanto utiliza a placa metálica M como suporte
- feche a ferramenta e aperte o botão de fixação F firmemente

## CONSELHOS DE APLICAÇÃO

- Para obter melhores resultados, triture os ramos após o corte
- Utilize o estimulador K para colocar o material leve ⑩
- Triture o lixo do jardim suave em pequenas cargas, em especial, quando molhado
- Pode evitar os bloqueios, triturando os ramos intermitentemente

## MANUTENÇÃO / SERVIÇO

- Esta ferramenta não se destina a utilização profissional
- Mantenha a ferramenta com cuidado e limpa
  - certifique-se sempre de que as aberturas de ventilação não têm resíduos
- ! **desligar a ferramenta da fonte de corrente antes de limpar**
- Verifique regularmente se existem defeitos, como lâminas soltas, deslocadas ou danificadas, acessórios soltos e componentes gastos ou danificados
- Mande substituir as peças gastas ou danificadas por razões de segurança
- Evite dobrar o fecho N ⑳ que poderá provocar o mau funcionamento da ferramenta
- Desligue sempre a ferramenta, deixe a lâmina de corte parar, desligue a ficha e deixe a ferramenta arrefecer antes de inspeccionar, ajustar, manter e/ou guardar a ferramenta
- Guarde a ferramenta dentro de casa num local seco
- Quando manter o triturador, certifique-se de que, apesar de o motor não arrancar devido ao fecho da guarda, o triturador pode ainda ser movido manualmente
- Se a ferramenta falhar apesar de cuidadosos processos de fabricação e de teste, a reparação deverá ser executada por uma oficina de serviço autorizada para ferramentas eléctricas SKIL
  - envie a ferramenta **sem desmontar**, juntamente com a prova de compra, para o seu revendedor ou para o centro de assistência SKIL mais próximo (os endereços assim como a mapa de peças da ferramenta estão mencionados no [www.skil.com](http://www.skil.com))

## AMBIENTE

- **Não deite ferramentas eléctricas, acessórios e embalagem no lixo doméstico** (apenas para países da UE)
  - de acordo com a directiva europeia 2012/19/CE sobre ferramentas eléctricas e electrónicas usadas e a transposição para as leis nacionais, as ferramentas eléctricas usadas devem ser recolhidas em separado e encaminhadas a uma instalação de reciclagem dos materiais ecológica
  - símbolo ⑫ lhe avisará em caso de necessidade de arranjar-las

## DECLARAÇÃO DE CONFORMIDADE CE

- Declaramos sob nossa exclusiva responsabilidade que o produto descrito em "Dados técnicos" cumpre as seguintes normas ou documentos normativos: EN 60335, EN 13683, EN 61000, EN 55014 conforme as disposições das directivas 2006/95/CE, 2004/108/CE, 2006/42/CE, 2000/14/CE, 2011/65/UE
- **Processo técnico em:** SKIL Europe BV (PT-SEU/ENG1), 4825 BD Breda, NL

Marijn van der Hoofden      Olaf Dijkgraaf  
Operations & Engineering      Approval Manager

SKIL Europe BV, 4825 BD Breda, NL

19.12.2013

CE11

## RUÍDO

- Medido segundo 2000/14/CE (EN/ISO 3744) o nível de potência acústica garantido é inferior a 113 dB(A) (processo de avaliação da conformidade de acordo com o anexo V)
- Organismo notificado: KEMA, Arnhem, NL
- Número de identificação do organismo notificado: 0344



## Biotrituratore

0770

## INTRODUZIONE

- Questo utensile non è inteso per un uso professionale
- Questo utensile è stato concepito per tagliare rifiuti in legno da giardino per il compostaggio
- Verificare che l'imballo contenga tutte le parti illustrate sul disegno ②
- In caso di parti mancanti o danneggiate, contattare il proprio rivenditore
- Leggere attentamente questo manuale di istruzioni prima dell'impiego, e conservarlo per future consultazioni ③
- **Prestare particolare attenzione alle istruzioni di sicurezza ed alle avvertenze; la mancata osservanza potrebbe causare serie lesioni**

## DATI TECNICI ①

- \* La modalità di funzionamento S6 (P40 = 40%) indica un profilo di carico basato su 4 min di carico e 6 min di funzionamento a vuoto (per l'impiego pratico è ammesso il funzionamento continuo)

## ELEMENTI UTENSILE ②

- A Chiave (2)
- B Sacco di raccolta
- C Uscita
- D Supporto per spingitore
- E Interruttore di acceso/spento

- F Pomello di fissaggio
- G Pulsante per il riavvio
- H Apertura di alimentazione
- J Feritoie di ventilazione
- K Spingitore
- L Chiave esagonale
- M Piastra di metallo
- N Lucchetto di sicurezza

## SICUREZZA

### ISTRUZIONI DI SICUREZZA SPECIFICHE PER BIOTRITURATORI

#### SPIEGAZIONE DEI SIMBOLI PRESENTI SULL'UTENSILE

- ③ Leggere il manuale di istruzioni prima dell'uso
- ④ Spegner e disinserire la spina prima di pulire/fare la manutenzione o se il cavo (di prolunga) è danneggiato o impigliato
- ⑤ **PERICOLO** Lame in movimento; tenere le mani lontane dalle aperture mentre l'utensile è in uso
- ⑥ **Prestare attenzione al rischio di lesioni provocate da detriti proiettati** (mantenere spettatori a distanza di sicurezza dall'area di lavoro)
- ⑦ Assicurarsi che tutte le parti in movimento siano completamente ferme, prima di toccarle
- ⑧ Portare guanti protettivi
- ⑨ Portare occhiali di protezione e protezione dell'udito
- ⑩ Non esporre l'utensile alla pioggia
- ⑪ Doppio isolamento (non è necessario alcun cavo di terra)
- ⑫ Non gettare l'utensile tra i rifiuti domestici
- ⑬ Spine e prese situate vicino al luogo di lavoro o all'esterno dovrebbero essere della classe IP X4 BS 5490, per assicurare una protezione adeguata contro l'acqua ecc. e che i cavi siano sigillati in modo efficace

#### NOTE GENERALI

- Questo utensile non deve essere usato da persone (compresi i bambini) con ridotte capacità fisiche, sensoriali e mentali o con scarsa esperienza e conoscenza specifiche, a meno che le stesse non operino sotto la supervisione di una persona responsabile della loro sicurezza o siano state da essa istruite sull'utilizzo dell'utensile
- Assicurarsi che i bambini non giochino con l'utensile
- Familiarizzare con i controlli e l'uso corretto dell'utensile
- Non lasciare mai che bambini o persone, che non conoscono le istruzioni d'uso, usino l'utensile (disposizioni locali possono imporre restrizioni d'età dell'operatore)
- Non usare mai l'utensile in prossimità di persone; interrompere l'uso quando persone (particolarmente bambini) o animali si trovano in prossimità
- L'utente è responsabile per incidenti o pericoli causati ad altre persone o a proprietà di queste ultime
- Mantenere tutte le protezioni e i deflettori montati e in buone condizioni
- Spegner sempre l'utensile, aspettare che la lama sia ferma e scollegare la spina
  - quando si lascia l'utensile incustodito
  - prima di rimuovere materiale incastrato
  - controllare, pulire o effettuare lavori sull'utensile
- ! **prima di montare o rimuovere il sacco di raccolta**

#### SICUREZZA ELETTRICA

- Controllare che la tensione dell'alimentazione sia la stessa di quella indicata sulla targhetta dell'utensile
- Esaminare il cavo periodicamente e, se danneggiato, farlo sostituire da personale qualificato
- Esaminare il cavo di prolunga periodicamente e, se danneggiato, sostituirlo (**cavi di prolunga inadeguati possono essere pericolosi**)
- In ambienti umidi usare un dispositivo per corrente residua (RCD) con una corrente di scatto di massimo 30 mA
- Usare solamente una prolunga di tipo H05VV-F o H05RN-F per un uso all'esterno e munita di presa e spina a prova di spruzzo
- Spegner sempre l'utensile e disinserire la spina dalla presa di corrente, se il cavo d'alimentazione o il cavo di prolunga è tagliato, danneggiato o impigliato (**non toccare il cavo prima di disinserire la spina**)
- Far sostituire il cavo d'alimentazione danneggiato solo da un punto di assistenza SKIL per evitare pericoli
- Usare cavi di prolunga completamente srotolati e sicure con una capacità di 16 Amp
- Proteggere il cavo (di prolunga) dal calore, dall'olio e da bordi taglienti
- Non passare sopra, schiacciare o tirare il cavo (di prolunga)
- Usare soltanto cavi di prolunga con una lunghezza massima di 20 metri (1,5 mm<sup>2</sup>) o 50 metri (2,5 mm<sup>2</sup>)

#### SICUREZZA DELLE PERSONE

- Non usare l'utensile a piedi nudi o indossando sandali aperti; indossare sempre scarpe robuste e pantaloni lunghi
- Evitare di indossare abiti larghi, collane o cravatte
- Usare l'utensile solo all'aperto (non troppo vicino alle pareti o ad oggetti solidi) su una superficie solida e piana
- Conservare l'utensile **all'interno** in un posto asciutto e chiuso a chiave, distante dalla portata dei bambini

#### PRIMA DELL'USO

- Assicurarsi che tutti i dadi, viti e bulloni e altri dispositivi di fissaggio siano fissati saldamente e che le protezioni e gli scudi siano montati

- Assicurarsi che l'apertura di alimentazione sia libera

#### DURANTE L'USO

- Tenere il viso e il corpo lontani dall'apertura di alimentazione
- Evitare che le mani (o altre parti del corpo) o abiti entrino nell'apertura di alimentazione, nell'apertura dell'uscita o si avvicinino a qualsiasi parte in movimento
- Mantenere sempre un buon equilibrio e una posizione stabile e non sporgersi
- Non stare mai più alti della base dell'utensile mentre si inserisce il materiale nell'alimentazione
- Tenere sempre una distanza adeguata dall'area dell'uscita mentre si usa l'utensile
- Mentre si inserisce il materiale nell'utensile, fare particolare attenzione che non vengano inseriti pezzi di metallo, pietre, bottiglie, lattine o altri oggetti estranei
- Se il meccanismo di taglio colpisce un oggetto estraneo o se l'utensile inizia a fare vibrazioni o rumori strani, spegnerlo immediatamente, aspettare che la lama sia ferma, scollegare la spina ed seguire la seguente procedura
  - verificare che non vi siano danni
  - sostituire o riparare eventuali parte danneggiate
  - controllare che non vi siano parti allentate ed eventualmente serrare

- Evitare che il materiale lavorato si accumuli nell'area di uscita; ciò potrebbe impedire il corretto scarico, causando un rinculo del materiale attraverso l'apertura di alimentazione
- Se l'utensile si intasa, spegnerlo, aspettare che la lama sia ferma e scollegare la spina, prima di rimuovere i detriti
- Tenere le ventole del motore libere da detriti e altri accumuli, per evitare danni al motore o possibili incendi
- Non capovolgere o trasportare l'utensile con il motore acceso

## USO

- Istruzioni di montaggio <sup>14</sup>
  - montare le ruote con le due chiavi A fornite ed assemblare l'utensile come illustrato
  - posizionare il sacco di raccolta B sotto all'uscita C
  - montare il supporto per spingitore D
- Acceso/spento <sup>15</sup>
  - per accendere/spegnere l'utensile, spingere l'interruttore E nella posizione "I"/"O"
  - ! **dopo aver spento l'utensile, la lama continua a muoversi per qualche secondo**
  - aspettare che la lama smetta di ruotare, prima di riaccendere
  - ! **l'utensile non parte finché il pomello di fissaggio F non è completamente serrato**
  - ! **non spegnere e accendere in successione rapida**
- Protezione di riavvio
  - dopo un'interruzione di corrente, l'utensile non si riavvia automaticamente
  - premere l'interruttore E <sup>15</sup> per riavviare l'utensile
- Protezione da sovraccarico
 

Il sovraccarico (per es. blocco la lama di taglio) può causare l'arresto dell'utensile

  - attendere qualche istante prima di accendere nuovamente l'utensile
  - riavviare l'utensile premendo prima il pulsante G <sup>15</sup>, quindi l'interruttore E <sup>15</sup>
- Triturazione <sup>16</sup>
  - inserire il materiale da tagliare nell'apertura di alimentazione H
  - inserire una quantità di materiale tale da non ostruire l'apertura di alimentazione
  - ! **materiale più lungo potrebbe schizzare fuori durante il taglio**
  - ! **parti piccole di materiale triturato potrebbero essere proiettate dall'apertura di alimentazione**
  - ! **indossare occhiali di protezione, cuffie e guanti di sicurezza mentre si usa l'utensile**
  - non inserire nel trituratore rifiuti morbidi, come rifiuti da cucina
  - assicurarsi che il materiale tagliato possa cadere liberamente attraverso l'uscita C
  - assicurarsi che le fessure di ventilazione J <sup>2</sup> non siano coperte dal sacco di raccolta o dal materiale tagliato
  - evitare di bloccare l'uscita C con materiale triturato, poiché ciò potrebbe causare il rinculo di materiale attraverso l'apertura di alimentazione H
- Rimozione del blocco <sup>17</sup>
  - ! **spegnete l'utensile e togliete la spina dalla presa di corrente**
  - allentare il pomello di fissaggio F ed aprire l'utensile come illustrato

- pulire l'area della lama (rimuovere detriti compattati con l'ausilio di un oggetto di legno o di plastica)
- pulire anche l'uscita C dai detriti
- chiudere l'utensile e serrare il pomello di fissaggio F saldamente
- Inversione/sostituzione della lama di taglio <sup>18</sup>
  - ! **spegnete l'utensile e togliete la spina dalla presa di corrente**
  - la lama di taglio è affilata su entrambi i lati; se un lato ha perso il filo, è possibile usare l'altro lato
  - sostituire la lama di taglio quando entrambi i lati hanno perso il filo (ricambio SKIL numero 2610Z02553, marcato YAT 8231-545201)
  - allentare il pomello di fissaggio F ed aprire l'utensile come illustrato
  - allentare entrambi i bulloni della lama con la chiave esagonale L usando la piastra di metallo M come supporto
  - invertire e montare la lama di taglio come illustrato
  - serrare entrambi i bulloni della lama con la chiave esagonale L usando la piastra di metallo M come supporto
  - chiudere l'utensile e serrare il pomello di fissaggio F saldamente

## CONSIGLIO PRATICO

- Per ottenere un risultato migliore, tritare i rami freschi subito dopo averli tagliati
- Usare lo spingitore K per inserire materiale morbido <sup>19</sup>
- Triturare rifiuti morbidi da giardino in quantità piccola, particolarmente quando sono bagnati
- È possibile evitare blocchi alternando la triturazione di rami

## MANUTENZIONE / ASSISTENZA

- Questo utensile non è inteso per un uso professionale
- Mantenere l'utensile in buone condizioni e tenerlo pulito
  - mantenere sempre le aperture di ventilazione libere da detriti
  - ! **prima di pulire estrarre la spina dalla presa**
- Controllare regolarmente se ci sono difetti, come lame allentate, staccate o danneggiate, fissaggi allentati e componenti usurati o danneggiati
- Far sostituire parti usurate o danneggiate per motivi di sicurezza
- Evitare di piegare il lucchetto di sicurezza N <sup>20</sup>, poiché questo potrebbe causare un malfunzionamento dell'utensile
- Spegnerlo sempre l'utensile, assicurarsi che le lame siano ferme, scollegare la spina e far raffreddare l'utensile prima di effettuare ispezioni, regolazioni, manutenzione e/o riporre l'utensile
- Riporre l'utensile in un luogo chiuso e asciutto
- Durante la manutenzione dell'utensile fare attenzione, poiché, anche se il motore non si avvia a causa del lucchetto di sicurezza, l'unità di triturazione può tuttavia essere mossa manualmente
- Se nonostante gli accurati procedimenti di produzione e di controllo l'utensile dovesse guastarsi, la riparazione va fatta effettuare da un punto di assistenza autorizzato per gli elettrotensili SKIL
  - inviare l'utensile **non smontato** assieme alle prove di acquisto al rivenditore oppure al più vicino centro assistenza SKIL (l'indirizzo ed il disegno delle parti di ricambio dell'utensile sono riportati su [www.skil.com](http://www.skil.com))

## TUTELA DELL'AMBIENTE

- **Non gettare l'utensile elettrico, gli accessori e l'imballaggio tra i rifiuti domestici** (solo per paesi UE)
  - secondo la Direttiva Europea 2012/19/CE sui rifiuti di utensili elettrici ed elettronici e la sua attuazione in conformità alle norme nazionali, gli utensili elettrici esausti devono essere raccolti separatamente, al fine di essere reimpiagati in modo eco-compatibile
  - il simbolo ⑫ vi ricorderà questo fatto quando dovrete eliminarle

## DICHIARAZIONE DEI CONFORMITÀ CE

- Assumendone la piena responsabilità, dichiariamo che il prodotto descritto nei "Dati tecnici" è conforme alle seguenti normative ed ai relativi documenti: EN 60335, EN 13683, EN 61000, EN 55014 in base alle prescrizioni delle direttive 2006/95/EG, 2004/108/EG, 2006/42/EG, 2000/14/EG, 2011/65/UE
- **Fascicolo tecnico presso:** SKIL Europe BV (PT-SEU/ENG1), 4825 BD Breda, NL

Marijn van der Hoofden  
Operations & Engineering

Olaf Dijkgraaf  
Approval Manager

SKIL Europe BV, 4825 BD Breda, NL

19.12.2013

CE11

## RUMOROSITÀ

- Misurato secondo 2000/14/EG (EN/ISO 3744) il livello di potenza acustica garantito LWA è inferiore a 113 dB(A) (procedimento di valutazione della conformità secondo appendice V)  
Organismo notificato: KEMA, Arnhem, NL  
Numero identificativo dell'Organismo notificato: 0344

H

## Apritógép

0770

## BEVEZETÉS

- A szerszám nem professzionális használatra készült
- Ez a gép és fás kerti hulladék komposztálásához való aprítására való
- Ellenőrizze, hogy a csomag tartalmazza-e az ábrán látható összes alkatrészt ②
- Hiányzó vagy sérült alkatrész esetén forduljon a kereskedőhöz
- A használat előtt gondosan olvassa el ezt a kézikönyvet és tartsa meg, hogy később is használhassa ③
- **Kísérje különös figyelemmel a biztonsági utasításokat és figyelmeztetéseket; ennek elmulasztása súlyos sérülést okozhat**

## MŰSZAKI ADATOK ①

- \* Az S6 üzemmód (P40 = 40%) egy olyan terhelesi profilt jelöl, amely 4 perc terhelesből és 6 perc üresjáratból áll (a gyakorlati alkalmazásnál a tartós üzem is meg van engedve)

## SZERSZÁMGÉP ELEMEI ②

- A Kulcs (2)
- B Gyűjtőzsák
- C Kímenet
- D Tömőbot tartó
- E Be/ki kapcsológomb
- F Rögzítő gomb
- G Újraindító nyomógomb
- H Adagoló nyílás
- J Szellőzőnyílások
- K Tömőbot
- L Hatszögkulcs
- M Fémlap
- N Biztonsági retesz

## BIZTONSÁG

### APRÍTÓGÉPEKRE VONATKOZÓ SPECIFIKUS BIZTONSÁGI ÖVINTÉZKEDÉSEK

#### A SZERSZÁMON TALÁLHATÓ SZIMBÓLUMOK MAGYARÁZATA

- ③ **Használat előtt olvassa el a használati utasítást**
- ④ **Kapcsolja ki, és áramtalanítsa a berendezést a tisztítás/karbantartás megkezdése előtt, illetve, ha a tápkábel vagy a hosszabbító megsérült, összegubancolódott**
- ⑤ **VESZÉLY** Forgó kések; működés közben ne nyúljon a gép nyílásaiba
- ⑥ **Ügyeljen a szálló hulladékok okozta sérülésveszélyre** (tartsa távol a közelben állókat a munkaterülettől)
- ⑦ Várja meg, amíg a mozgó gépkalkatrészek teljesen leállnak, mielőtt hozzájuk nyúlna
- ⑧ Viseljen védőkesztyűt
- ⑨ Viseljen védőszemüveget és zaj elleni fülvédőt
- ⑩ A gépet óvja a nedvességtől, különösen esőtől
- ⑪ Kettős szigetelés (földelővezeték nem szükséges)
- ⑫ A gépet ne dobja a háztartási szeméttbe
- ⑬ A munkavégzés közelében vagy a kültéren található tápcsatlakozó aljzatoknak IP X4 vagy BS 5490 védettségűeknek kell lenniük, hogy megfelelő védelmet nyújtsanak a víz bejutása stb. ellen, a kábelbemeneteknek pedig kellő tömítettséggel kell rendelkezniük

#### ÁLTALÁNOS TUDNIVALÓK

- Ezt a szerszámot nem tervezték hiányos fizikai, szenzoriális vagy értelmi képességekkel rendelkező személyek (beleértve a gyerekeket), illetve tudással és tapasztalattal nem rendelkező személyek által történő használatra, hacsak ezen személyek számára nem biztosítanak a szerszám használatára vonatkozó kiképzést, illetőleg felügyeletet, egy erre megbízott, a biztonságukért felelős személy által
- Zárja ki annak lehetőségét, hogy a gyerekek játszhatnak a szerszámmal
- Ismerkedjen meg tüzetesen a kezelőszervekkel és a gép megfelelő használatával
- A készüléket ne használják gyerekek vagy olyan személyek, akik nem ismerik a használatát (helyi rendelkezések korlátozhatják a kezelő életkorát).
- Ne működtesse a készüléket emberek közvetlen közelében; ne használja a készüléket, ha emberek (főleg gyerekek) vagy állatok tartózkodnak a közelben

- A balesetekért vagy másokat, illetve anyagi javakat érintő károkért, sérülésekért a felhasználó a felelős
- Tartsa az összes védőburkolatot és terelőlapot a helyén és megfelelő üzemállapotban
- Mindig kapcsolja ki a gépet, várja meg, amíg a vágókések leállnak, és húzza ki a tápcsatlakozó dugót
  - ha a gépet őrizetlenül hagyja
  - mielőtt az elakadt anyag eltávolításába kezd
  - mielőtt a gép ellenőrzésébe, tisztításába vagy rajta végzendő egyéb tevékenységbe kezd

### **! mielőtt felteszi, vagy leszedi a gyűjtőzsákokat**

#### **ELEKTROMOS BIZTONSÁGI ELŐÍRÁSOK**

- Mindig ellenőrizze, hogy a hálózati feszültség megegyezik-e a szerszám adattábláján feltüntetett értékkel
- Rendszeresen vizsgálja meg a kábelt, és cseréltesse ki szakértő által ha sérült
- Vizsgálja meg rendszeresen a hosszabbítót, és cserélje ki, ha megsérült (**a hibás hosszabbító veszélyes lehet**)
- A szerszám nedves környezetben történő használata esetén használjon maximum 30 mA kioldási határértékű FI relét
- Kizárólag H05VV-F vagy H05RN-F típusú, kültéri használatra gyártott hosszabbító kábelt használjon, amely víz ellen védett dugasszal és dugaszolóaljzattal rendelkezik
- Mindig kapcsolja le a gépet és húzza ki a tápcsatlakozó dugaszt a tápforrásból, ha a tápvezeték vagy hosszabbító elszakadt, megsérült vagy összegabalyodott (**ne érjen a tápkábelhez, amíg a dugaszt ki nem húzta**)
- Veszély elkerülése céljából a sérült tápkábelt csak SKIL szervizközpontban szabad kicserélni
- Használjon teljesen letekert és biztonságos hosszabbítókábel, 16 A-es teljesítménnyel
- Tartsa távol a (hosszabbító) vezetéket hőtől, olajtól és éles peremektől
- Ne terhelje túl, ne zúzza össze és ne húzza a (hosszabbító) vezetéket
- Maximum 20 méteres (1,5 mm<sup>2</sup>) vagy 50 méteres (2,5 mm<sup>2</sup>) hosszabbítót használjon

#### **SZEMÉLYI BIZTONSÁGI ELŐÍRÁSOK**

- Ne működtesse a készüléket mezít láb vagy nyitott szandálon; viseljen mindig erős lábbelit és hosszú nadrágot
- Ne laza, lógó pántokkal, szalagokkal rendelkező ruházatot viseljen
- A gépet csak szabad téren, szilárd, vízszintes talajon üzemeltesse, ne túl közel falhoz és más tömör objektumhoz
- A szerszám **beltéri** száraz és zárt helyen tárolja, ahol gyermekek nem férhetnek hozzá

#### **HASZNÁLAT ELŐTT**

- Ellenőrizze az összes csavar és anya meghúzott állapotát, valamint minden védőburkolat és védőrács a helyére felszerelt állapotát
- Ellenőrizze, hogy az adagoló nyílás üres

#### **HASZNÁLAT KÖZBEN**

- Tartsa el arcát és kezeit az adagoló nyílástól
- Ügyeljen arra, hogy kezei (és egyéb testrészei) vagy ruházata ne kerüljön be az adagoló nyílásba, a kimeneti nyílásba, és ne kerüljön mozgó alkatrész közelébe
- Tartsa meg folyamatosan az egyensúlyt, a megfelelő testhelyzetet, ne hajoljon át semmin

- Az aprítandó anyag adagolásakor ne álljon a gép alapjánál magasabb helyen
- A gép működtetésekor mindig tartson megfelelő távolságot a kimeneti zónától
- A gépbe történő adagolás közben különösen ügyeljen arra, hogy ne kerüljön bele fémdarab, kő, palack, konzervdoboz és egyéb idegen objektum
- Ha a vágómechanizmus idegen objektumba ütközik, vagy beindításkor a gép szokatlan zajt bocsát ki, rezegni kezd, azonnal kapcsolja ki, várja meg, amíg leáll a kés, húzza ki a tápcsatlakozó dugót, és végezze el az alábbi lépéseket
  - mérje fel a kárt
  - cserélje ki, vagy javítsa meg a hibás alkatrészeket
  - keresse meg, és húzza meg a kilazult alkatrészeket
- Ne engedje felhalmozódni a feldolgozott anyagot a kimeneti zónában; ez megakadályozhatja a megfelelő ürítést, ami miatt visszarúghat az anyag az adagolónyíláson
- Ha elakadást tapasztal, a megszüntetése előtt kapcsolja ki a gépet, várja meg, amíg a kés leáll, és húzza ki a tápcsatlakozó dugót
- A motor károsodása és az esetleges tűz megelőzése érdekében tartsa tisztán a motor szellőzőnyílásait a felhalmozódó aprítási hulladéktól és egyebektől
- Ne döntse meg, és ne szállítsa a gépet, amíg a motor jár

## **KEZELÉS**

- Összeszerelési útmutató <sup>(14)</sup>
  - szerelje fel a kerekeket a két mellékelt kulccsal A, és szerelje össze a gépet az ábra szerint
  - helyezze a gyűjtőzsákokat B a kimeneti nyílás alá C
  - szerelje fel a tömőbot tartót D
- Be/Ki <sup>(15)</sup>
  - a szerszám ki-/bekapcsolása a E kapcsoló "I"/"O" pozícióba állításával történik
  - ! a készülék kikapcsolása után a vágópenge még néhány másodpercig tovább forog**
  - az ismételt bekapcsolás előtt hagyja, hogy a vágókések teljesen megálljanak
  - ! a gép csak a rögzítő gomb F teljesen meghúzott állapotában indul be**
  - ! ne végezzen gyors be- és kikapcsolást**
  - Újraindulás elleni védelem
    - a tápfeszültség megszakadását követően a gép nem indul újra magától
    - a gép újraindításához használja a E <sup>(16)</sup> kapcsolót
  - Túlterhelés elleni védelem
    - Túlterhelés (pl. a vágókés megszorulása) hatására a gép leállhat
      - a gép újraindítása előtt várjon egy keveset
      - a gép újraindításához először használja a G <sup>(15)</sup> gombot, majd a E <sup>(16)</sup> kapcsolót
  - Aprítás <sup>(16)</sup>
    - töltsse be az aprítani kívánt anyagot az adagoló nyílásba H
    - csak annyit anyagot töltsön be, amittől az adagoló nyílás nem tömődik el
    - ! a hosszabb anyagok vágáskor üthetnek**
    - ! az adagoló nyílásból kisebb felaprított darabok kirepülhetnek**

## ! viseljen védőszemüveget, hallásvédőt és védőkesztyűt a gép használata közben

- ne töltsön lágy hulladékot, például konyhai maradékokat az aprítógépbe
- ügyeljen arra, hogy a felaprított anyag szabadon kihullhasson a kimeneti nyílásból C
- gondoskodjon róla, hogy a szellőzőnyílásokat J ② ne takarja el a gyújtózsák vagy a felaprított anyag
- ügyeljen arra, hogy a kimeneti nyílást C ne töltsse el az apríték, mert így az adagoló nyíláson H betöltött anyag visszarúghat
- Eltömődés megszüntetése ⑰

## ! kapcsolja ki a gépet és húzza ki a csatlakozódugót

- lazítsa meg a rögzítő gombot F, és nyissa ki a gépet az ábra szerint
- tisztítsa meg a kés körüli területet (távolítsa el a tömörödött anyagot egy fa vagy műanyag szerszámmal)
- tisztítsa meg a kimenetet C is a hulladéktól
- csukja be a gépet, és húzza meg a rögzítő gombot F szilárdan
- A vágókés megfordítása/cseréje ⑱

## ! kapcsolja ki a gépet és húzza ki a csatlakozódugót

- a vágókésnek mindkét oldala éles, így amikor az egyik éle eltompul, a másik oldala továbbra is használható
- cserélje ki a vágókést, ha mindkét oldala eltompult (SKIL pótalkatrész szám 2610Z02553, jelölése YAT 8231-545201)
- lazítsa meg a rögzítő gombot F, és nyissa ki a gépet az ábra szerint
- lazítsa meg a pengét tartó két csavart egy imbuszkulccsal L, miközben a fémlémezzel M ellen tart
- fordítsa meg, és szerelje vissza a vágókést az ábra alapján
- húzza meg a pengét tartó két csavart egy imbuszkulccsal L, miközben a fémlémezzel M ellen tart
- csukja be a gépet, és húzza meg a rögzítő gombot F szilárdan

## HASZNÁLAT

- A legjobb eredmény érdekében a friss gallyakat rögtön a levágásuk után aprítsa fel
- A lágyabb anyagok adagolásához használja a tömőbotot K ⑲
- A kerti hulladék aprítását végezze kisebb adagokban, különösen akkor, ha nedvesek
- Az eltömődés a gallyak szakaszos adagolásával elkerülhető

## KARBANTARTÁS / SZERVIZ

- A szerszám nem professzionális használatra készült
- A gépet gondosan tartsa karban, és tartsa tiszta állapotban
- mindig biztosítsa a szellőzőnyílások tisztaságát

## ! tisztítás előtt húzza ki a csatlakozódugót

- Rendszeresen ellenőrizze a gépet olyan hibák szempontjából, mint lazulás, a kés elmozdulása, sérülése, lelazult rögzítések, valamint elhasználódott, károsodott alkatrészek

- Biztonsági okokból cserélje ki a kopott, károsodott alkatrészeket
- Ügyeljen arra, hogy ne görbüljön el a biztonsági retesz N ⑳, mert ez által a gép működésképtelenné válhat
- Ellenőrzés, beállítás, karbantartás és/vagy elrakás előtt mindig kapcsolja ki a gépet, várja meg, amíg leáll a kés, húzza ki a tápcsatlakozó dugót, és hagyja lehűlni a gépet
- A gépet tárolja fedett, száraz helyen
- Az aprító egység szervizeléskor legyen tudatában annak, hogy bár a motor a biztonsági reteszelés miatt nem tud beindulni, az aprító egység kézzel elforgatható
- Ha a gép a gondos gyártási és ellenőrzési eljárás ellenére egyszer mégis meghibásodna, akkor a javítással csak SKIL elektromos kéziszerszám-műhely ügyfélszolgálatát szabad megbízni
- küldje az **összeszerelt** gépet a vásárlást bizonyító számlával együtt a kereskedő vagy a legközelebbi SKIL szervizállomás címére (a címlista és a gép szervizdiagramja a [www.skil.com](http://www.skil.com) címen található)

## KÖRNYEZET

- **Az elektromos kéziszerszámokat, tartozékokat és csomagolást ne dobja a háztartási szemétkébe** (csak EU-országok számára)
- a használt villamos és elektronikai készülékekről szóló 2012/19/EK irányelv és annak a nemzeti jogba való átültetése szerint az elhasznált elektromos kéziszerszámokat külön kell gyűjteni, és környezetbarát módon újra kell hasznosítani
- erre emlékeztet a ⑳ jelzés, amennyiben felmerül az intézkedésre való igény

## MEGFELELŐSÉGI NYILATKOZAT CE

- Egyedüli felelőséggel kijelentjük, hogy a "Műszaki adatok" alatt leírt termék megfelel a következő szabványoknak, illetve irányadó dokumentumoknak: EN 60335, EN 13683, EN 61000, EN 55014 a 2006/95/EK, 2004/108/EK, 2006/42/EK, 2000/14/EK, 2011/65/EU irányelveknek megfelelően
- **A műszaki dokumentáció a következő helyen található:** SKIL Europe BV (PT-SEU/ENG1), 4825 BD Breda, NL

Marijn van der Hoofden Operations & Engineering Olaf Dijkgraaf Approval Manager



SKIL Europe BV, 4825 BD Breda, NL

19.12.2013

CE11

## ZAJ

- A 2000/14/EK (EN/ISO 3744) szabvány szerinti mérések alapján a garantált LWA hangteljesítmény szint alacsonyabb mint 113 dB(A) (a konformitási megállapítási eljárás leírása a V. függelékben található) Bejelentett szervezet: KEMA, Arnhem, NL A bejelentett szervezet azonosítószáma: 0344

## ÚVOD

- Tento nástroj není určen k profesionálnímu použití
- Tento nástroj slouží k drčení vláknitého a dřevěného zahradního odpadu ke kompostování
- Zkontrolujte, zda balení obsahuje všechny součásti, jak je zobrazeno na schématu ②
- Pokud některé součásti chybí nebo jsou poškozené, obraťte se na prodejce
- Před použitím si pečlivě přečtěte tento návod s pokyny a si uschovejte jej pro budoucí potřebu ③
- **Zvláštní pozornost věnujte bezpečnostním pokynům a výstrahám; při jejich nedodržení se vystavujete nebezpečí vážného úrazu**

## TECHNICKÁ DATA ①

- \* Druh provozu S6 (P40 = 40%) charakterizuje zatěžkávací profil, jež předpokládá 4 min. zatížení a 6 min. běhu naprázdno (pro praktické nasazení je dovolený trvalý provoz)

## SOUČÁSTI NÁSTROJE ②

- A Klíč (2)
- B Sběrný pytel
- C Výstup
- D Držák na postrkovač
- E Spínač "zapnuto/vypnuto"
- F Pojistný knoflík
- G Tlačítko pro opětné spuštění
- H Podávací otvor
- J Větrací šterbiny
- K Postrkovač
- L Šestihranný klíč
- M Kovová deska
- N Bezpečnostní pojistka

## BEZPEČNOST

### SPECIFICKÉ BEZPEČNOSTNÍ POKYNY PRO DRTIČE

#### VYSVĚTLENÍ SYMBOLŮ NA NÁŘADÍ

- ③ **Před použitím si přečtěte návod k použití**
- ④ **Před čištěním či údržbou nebo při poškození či zamotání prodlužovacího kabelu nástroj vždy vypněte a odpojte od napájení**
- ⑤ **NEBEZPEČÍ** Otočné nože; pokud je stroj spuštěný, nevstupujte ruce do otvorů stroje
- ⑥ **Chraňte se před zraněními způsobenými poletujícími částicemi materiálu** (zajistěte, aby se osoby v okolí nacházely v bezpečné vzdálenosti od pracovního prostoru)
- ⑦ **Před manipulací počkejte, dokud se všechny pohyblivé části úplně nezastaví**
- ⑧ Noste ochranné rukavice
- ⑨ Noste ochranné brýle a ochranu sluchu
- ⑩ Nevystavujte nářadí dešti
- ⑪ Dvojitá izolace (není nutný zemnicí drát)
- ⑫ Nářadí nevyhazujte do komunálního odpadu

- ⑬ Zástrčky a zásuvky v blízkosti pracovního místa nebo venku by měly mít krytí IP X4 podle normy BS 5490, aby byly dostatečně chráněny před průnikem vody apod. a vstupy kabelů musí být dostatečně utěsněny

#### OBECNĚ

- Tento nástroj není určen pro používání osobami (včetně dětí) s omezenými fyzickými, smyslovými či mentálními schopnostmi, nebo s nedostatkem zkušeností a vědomostí, pokud na ně není dohlédnuto nebo nedostaly pokyny týkající se zacházení s nástrojem od osoby zodpovědné za jejich bezpečnost
- Postarejte se, aby si děti nehrály s nástrojem
- Seznamte se s ovládacími prvky a správným použitím nástroje
- Nikdy nedovolte, aby nástroj používaly děti či osoby neobeznámené s provozním návodem (místní předpisy možná předepisují minimální věk obsluhující osoby)
- Nikdy nepracujte s nástrojem v bezprostřední blízkosti osob; vypněte nástroj, pokud jsou v blízkosti osoby (především děti) a domácí zvířata
- Uživatel je odpovědný za nehody a nebezpečí hrozcí jiným osobám a jejich majetku
- Všechny kryty a vodící části mějte vždy na místě a v dobrém provozním stavu
- Před odpojením ze sítě vždy stroj vypněte a nechte řezací čepele zastavit
  - kdykoli ponecháváte nástroj bez dozoru
  - před čištěním uvíznutého materiálu
  - před kontrolou, čištěním nebo prací na přístroji

#### ! před nasazováním nebo snímáním sběrného pytle

#### ELEKTRICKÁ BEZPEČNOST

- Vždy zkontrolujte, zda je napájecí napětí stejné jako napětí uvedené na typovém štítku nástroje
- Pravidelně kontrolujte šňůru a v případě poškození nechte si je kvalifikovaným pracovníkem vyměnit
- Prodlužovací šňůru pravidelně kontrolujte, a pokud je poškozená, vyměňte ji (**nehodné prodlužovací šňůry mohou být nebezpečné**)
- Při práci s nářadím ve vlhkém prostředí používejte proudový chránič se spouštěcím proudem maximálně 30 mA
- Používejte pouze prodlužovací šňůru typu H05VV-F nebo H05RN-F, která je určena k venkovnímu použití a je vybavena vodotěsnou zástrčkou a spojovací zásuvkou
- Dojde-li k přeseknutí, poškození nebo zamotání prodlužovacího kabelu napájení, nástroj vždy vypněte a odpojte od zdroje napájení (**před odpojením od napájení se kabelu nedotýkejte**)
- Poškozenou napájecí šňůru nechte vyměnit jedině v servisním středisku SKIL, abyste zamezili riziku
- Používejte zcela rozvinuté a bezpečné prodlužovací šňůry o kapacitě 16 ampér
- Chraňte (prodlužovací) šňůru před žárem, olejem a ostrými hranami
- Přes (prodlužovací) šňůru nepřejíždějte, nezatěžujte ji ani za ni netahejte
- Používejte pouze prodlužovací kabely s maximální délkou 20 metrů (1,5 mm<sup>2</sup>) nebo 50 metrů (2,5 mm<sup>2</sup>)

#### BEZPEČNOST OSOB

- S nástrojem nepracujte bosí nebo v otevřených sandálech; noste vždy plnou obuv a dlouhé kalhoty
- Nenoste volné oděvy, oděvy se šňůrkami ani tkaničkami

- Použijte stroj pouze v otevřeném prostoru (ne v blízkosti stěn nebo jiných pevných předmětů) a na pevném, rovném povrchu
- Nástroj skladujte **uvnitř budov** na suchém a uzamčeném místě mimo dosah dětí

## PŘED POUŽITÍM

- Zkontrolujte, zda jsou všechny vruty, matky a šrouby a další spojovací materiály řádně dotaženy a zda jsou nasazena vodička a chrániče
- Zkontrolujte, zda je podávací otvor prázdný

## BĚHEM POUŽITÍ

- Nenaklánejte se tvář ani tělem nad podávací otvor
- Dbejte na to, aby se vaše ruce (ani žádná jiná část těla) či oděv nedostaly do podávacího otvoru, výstupního otvoru ani do blízkosti jakékoli pohyblivé části
- Vždy stůjte pevně na nohách a udržujte rovnováhu. Nenatahujte se ke stroji
- Při podávání materiálu nikdy nestůjte výše, než je základna stroje
- Při práci se strojem vždy dodržujte vhodnou vzdálenost od výstupní zóny
- Při podávání materiálu do stroje buďte extrémně opatrní, aby se do stroje nedostaly kousky kovu, kameny, lahve, plechovky a další cizí předměty
- Pokud řezací mechanismus narazí na jakýkoli cizí předmět nebo pokud začne vydávat neobvyklé zvuky či vibrovat, ihned jej vypněte a nechte řezací čepel zastavit, odpojte stroj ze sítě a proveďte následující kroky
  - zkontrolujte, zda není stroj poškozen
  - vyměňte nebo opravte poškozené části
  - zkontrolujte a dotáhněte uvolněné části
- Nenechte zpracovaný materiál hromadit se ve výstupní zóně. Mohlo by to zabránit odvádění materiálu a jeho následnému zpětnému pronikání do podávacího otvoru
- Pokud se stroj zanese, před odstraněním nečistot jej vypněte, nechte řezací čepel zastavit a odpojte jej ze sítě
- Udržujte ventilační otvory motoru volné a bez nánosů nečistot, jinak by mohlo dojít k poškození motoru nebo jeho vznícení
- Pokud je motor spuštěný, nenaklánejte stroj ani jej nepřemisťujte

## OBSLUHA

- Montážní návod <sup>14</sup>
  - namontujte kolečka podle obrázku pomocí dvou dodaných klíčů A a montážního nástroje
  - umístěte sběrný pytel B pod výstupní otvor C
  - namontujte držák na postrkovač D
- Zapnuto/vypnuto <sup>15</sup>
  - zapněte/vypněte nářadí přepnutím vypínače E do poloh "I"/"O"
- ! **po vypnutí nástroje se čepel ještě několik sekund otáčí**
  - před dalším zapnutím nechte řezací čepel úplně zastavit
- ! **stroj se nespustí, pokud není pojistný knoflík F zcela dotažený**
- ! **nástroj rychle nezapínáte a nevypínáte**
- Ochrana při opětovném spuštění
  - po výpadku napájení se nástroj samostatně znovu nespustí
  - chcete-li nástroj znovu spustit, použijte přepínač E <sup>16</sup>

- Ochrana proti přetížení  
Přetížení (např. zablokování stříhací čepel) může vést k zastavení nástroje
  - před opětovným spuštěním stroje chvíli počkejte
  - nástroj znovu spusťte nejdříve tlačítkem G <sup>15</sup> a pak přepínačem E <sup>16</sup>

- Drcení <sup>16</sup>
  - materiál, který chcete drtit, podávejte do podávacího otvoru H
  - vkládejte pouze tolik materiálu, aby se podávací otvor neucpal

! **delší kusy by vás při řezání mohly uhodit**

! **při drcení materiálu mohou z podávacího otvoru vylétávat malé kousky drceného materiálu**

! **při práci se strojem noste bezpečnostní brýle, ochranu sluchu a ochranné rukavice**

- nepodávejte do stroje měkké materiály, jako je kuchyňský odpad
- dbejte na to, aby nadrcený materiál mohl volně vypadávat výstupním otvorem C
- dbejte na to, aby ventilační otvory J <sup>2</sup> nebyly zakryty sběrným pytlem nebo rozdrceným materiálem
- neblokujte výstup C rozdrceným materiálem, protože by to mohlo vést k jeho zpětnému pronikání do podávacího otvoru H

- Odstraňování blokujícího materiálu <sup>17</sup>

! **vypněte nářadí a odpojte zástrčku**

- uvolněte pojistný knoflík F a otevřete stroj, jak je znázorněno na obrázku
- očistěte oblast čepelí (odstraňte stlačené nečistoty pomocí dřevěného nebo plastového nástroje)
- odstraňte nečistoty také z výstupu C
- zavřete stroj a pevně dotáhněte pojistný knoflík F
- Otočení/výměna řezací čepel <sup>18</sup>

! **vypněte nářadí a odpojte zástrčku**

- řezací čepel má ostří na obou stranách; když se jedna strana ztupí, můžete použít druhou stranu
- až se utopí obě ostří, vyměňte čepel (náhradní díl SKIL, číslo 2610Z02553, označení YAT 8231-545201)
- uvolněte pojistný knoflík F a otevřete stroj, jak je znázorněno na obrázku
- uvolněte oba šrouby čepel imbusovým klíčem L, kovovou desku M použijte jako oporu
- otočte čepel a namontujte ji podle obrázku
- utáhněte oba šrouby čepel imbusovým klíčem L, kovovou desku M použijte jako oporu
- zavřete stroj a pevně dotáhněte pojistný knoflík F

## NÁVOD K POUŽITÍ

- Nejlepších výsledků dosáhnete, když budete drtit čerstvé větve brzy po jejich odříznutí
- K podávání měkkého materiálu použijte postrkovač K <sup>19</sup>
- Měkký zahradní materiál drtíte v menších dávkách, zejména pokud je mokrý
- Zablokování můžete zabránit tím, že budete větve drtit přerušovaně

## ÚDRŽBA / SERVIS

- Tento nástroj není určen k profesionálnímu použití
- Řádně o stroj pečujte a udržujte jej v čistotě
  - vždy se ujistěte, zda nejsou ventilační otvory zanesené
- ! **před čištěním odpojte zástrčku**



- Pravidelně kontrolujte možné závady, jako jsou uvolněné, posunuté nebo poškozené čepele, uvolněné spoje a opotřebované nebo poškozené části
- Z bezpečnostních důvodů nechejte opotřeбенé nebo poškozené části opravit
- Dbejte na to, abyste nezohlnuli bezpečnostní pojistku N ②, což by mohlo způsobit nefunkčnost stroje
- Před prováděním kontroly, úprav, servisu nebo před uložením stroj vždy vypněte, nechejte řezací čepel zastavit a odpojte jej ze sítě, aby vychladnul
- Skladujte nástroj pod přístřeším na suchém místě
- Při provádění servisu drtící jednotky mějte na paměti, že i když se motor nespustí kvůli bezpečnostní funkci krytu, lze drtící jednotku otáčet rukou
- Pokud dojde i přes pečlivou výrobu a náročné kontroly k poruše nástroje, svěřte provedení opravy autorizovanému servisnímu středisku pro elektronářadí firmy SKIL
  - zašlete nástroj **nerozebraný** spolu s potvrzením o nákupu své prodejně nebo nejbližšímu servisu značky SKIL (adresy a servisní schema nástroje najdete na [www.skil.com](http://www.skil.com))

## ŽIVOTNÍ PROSTŘEDÍ

- **Elektrické nářadí, doplňky a balení nevyhazujte do komunálního odpadu** (jen pro státy EU)
  - podle evropské směrnice 2012/19/EG o nakládání s použitými elektrickými a elektronickými zařízeními a odpovídajících ustanovení právních předpisů jednotlivých zemí se použitá elektrická nářadí, musí sbírat odděleně od ostatního odpadu a podrobit ekologicky šetrnému recyklování
  - symbol ⑫ na to upozorňuje

## PROHLÁŠENÍ O SHODĚ CE

- Prohlašujeme v plné naší zodpovědnosti, že v odstavci "Technická data" popsany výrobek je v souladu s následujícími normami nebo normativními dokumenty: EN 60335, EN 13683, EN 61000, EN 55014 podle ustanovení směrnice 2006/95/ES, 2004/108/ES, 2006/42/ES, 2000/14/ES, 2011/65/EU
- **Technická dokumentace** u: SKIL Europe BV (PT-SEU/ENG1), 4825 BD Breda, NL

Marijn van der Hoofden  
Operations & Engineering

Olaf Dijkgraaf  
Approval Manager

SKIL Europe BV, 4825 BD Breda, NL

19.12.2013

CE11

## HLUČNOSTI

- Měřeno podle 2000/14/ES (EN/ISO 3744) zaručená dávka hlučnosti LWA je nižší než 113 dB(A) (metoda posouzení shody podle dodatku V)  
Ohlašovací orgán : KEMA, Arnhem, NL  
Identifikační číslo ohlašovacího orgánu : 0344

## Öğütücü

0770

## GİRİS

- Bu alet profesyonel kullanıma yönelik değildir
- Bu alet kompostlamak üzere lifli ve odunsu bahçe atıklarını kesmek için geliştirilmiştir
- Ambalajın içinde, çizim ②'de gösterilen tüm parçaların bulunup bulunmadığını kontrol edin
- Parçaların eksik veya hasarlı olması durumunda bayinizle temasa geçin
- Kullanmadan önce bu kılavuzu dikkatli bir şekilde okuyun ve ileride ihtiyacınız olduğunda kullanmak için saklayın ③
- **Güvenlik talimatlarına ve uyarılarına özel bir dikkat gösterin; bunlara uyulmaması ciddi yaralanmalarına neden olabilir**

## TEKNİK VERİLER ①

- \* İşturu S6 (P40 = 40%) 4 dakikalık yüklenmeyi ve 6 dakikalık boşta çalışmayı kapsayan bir yüklenme profilini karakterize eder (pratik kullanımda sürekli işleme de müsaade vardır)

## ALET BİLEŞENLERİ ②

- A Anahtar (2)
- B Toplama torbası
- C Çıkış
- D İtici tutucusu
- E Açma/kapama şalteri
- F Sabitleme düğmesi
- G Yeniden çalıştırma düğmesi
- H Giriş deliği
- J Havalandırma yuvaları
- K İtici
- L Altigen anahtar
- M Metal plaka
- N Emniyet kilidi

## GÜVENLİK

### ÖĞÜTÜCÜLERE YÖNELİK ÖZEL GÜVENLİK TALİMATLARI

#### ALET ÜZERİNDEKİ SİMGELERİN AÇIKLAMASI

- ③ **Kullanmadan önce kılavuzu okuyun**
- ④ **Temizleme/bakım işleminden önce veya (uzatma) kablosu hasar görmüşse ya da dolaşmışsa aleti kapatın fişini çekin**
- ⑤ **TEHLİKE** Dönen bıçaklar; alet çalışırken ellerinizi deliklerden uzak tutun
- ⑥ **Fırlayan çöpler tarafından meydana gelebilecek yaralanma tehlikelerine dikkat edin** (seyredenleri çalışma alanında güvenli bir uzaklıkta tutun)
- ⑦ Parçaları dokunmadan önce tüm hareketli alet parçalarını tam olarak durmasını bekleyin
- ⑧ Cihazı kullanırken eldiven giyin
- ⑨ Koruyucu gözlük ve koruyucu kulaklık giyin
- ⑩ Aleti yağmura maruz bırakmayın
- ⑪ Çift yalıtım (topraklama kablosu gerekli değildir)

- ⑫ Aleti evdeki çöp kutusuna atmayınız
- ⑬ Su vs. girişine karşı yeterli koruma sağlamak üzere çalışma alanının yakınındaki veya dış alandaki fiş ve prizler BS 5490 IP X4 sınıfından olmalı ve kablo girişleri etkili bir şekilde mühürlenmelidir

## GENEL

- Bu alet, güvenliklerinden sorumlu bir kişi tarafından aletin kullanımını ile ilgili gözetim ve açıklama sağlanmadığı takdirde fiziksel, duymusal ya da zihinsel olarak gelişmemiş ya da yeterli bilgi ve deneyime sahip olmayan kişiler (çocuklar dahil) tarafından kullanılmamalıdır
  - Çocukların aletle oynamasını engelleyin
  - Aletin kumandalarını ve doğru şekilde kullanımını öğrenin
  - Çocukların ve kullanma talimatları konusunda bilgisi olmayan kişilerin bu aleti kullanmalarına asla izin vermeyin (bölgesel yönetmelikler kullanıcının yaşına sınırlama getirebilir)
  - Aleti asla doğrudan insanların yakınında kullanmayın; yakında insanlar (özellikle çocuklar) veya evcil hayvanlar bulunuyorsa aleti kullanmayın
  - İnsanların yaralanmalarından veya nesnelere oluşan zararlardan kullanıcı sorumludur
  - Tüm koruyucu başlıklarını ve saptırcıların yerinde ve çalışır durumda olmasını sağlayın
  - Her zaman aleti durdurun, kesme bıçağının durmasını bekleyin ve aletin fişini çekin
    - aleti her gözetimsiz bırakışınızda
    - sıkışan maddeleri temizlemeden önce
    - alet üzerinde kontrol, temizlik işlemi veya çalışma gerçekleştirilmeden önce
- ! toplama torbasını yerleştirmeden veya çıkarmadan önce**

## ELEKTRİKSEL GÜVENLİK

- Güç geriliminin, aletin özellik plakasında belirtilen voltaj değeriyle aynı olduğunu sık sık kontrol edin
- Düzenli aralıklarla kablosunu kontrol edin ve hasar gören kısımlarını yetkili servis personeli tarafından değiştirilmesini sağlayın
- Düzenli aralıklarla uzatma kablosunu inceleyin ve hasar varsa değiştirin (**uygun olmayan uzatma kabloları tehlikeli olabilir**)
- Aleti nemli ortamlarda kullanırken, en fazla 30 mA tetikleyici akıma sahip bir artık akım cihazı (AKC) kullanın
- Yalnızca dış ortamlarda kullanılmak üzere tasarlanmış ve su geçirmez bir fişi olan ek prizli H05VV-F veya H05RN-F türünde uzatma kablosu kullanın
- Elektrik veya uzatma kablosunun kesilmesi, zarar görmesi veya karışması durumunda aleti kapatın ve fişini elektrik kaynağından çekin (**fişi çekmeden önce kabloya dokunmayın**)
- Tehlikeyi önlemek için hasarlı bir elektrik kablosu bir SKIL servis merkezinde değiştirilmelidir
- Tamamen kusursuz ve güvenli 16 Amp uzatma kabloları kullanın
- Kabloyu (uzatma) ısıya, yağa ve sivri cisimlere karşı koruyun
- Kabloyu (uzatma) basmayın, ezmeyin veya çekmeyin
- Sadece en fazla 20 metre (1,5 mm<sup>2</sup>) veya 50 metre (2,5 mm<sup>2</sup>) uzunluğa sahip uzatma kabloları kullanın

## KİŞİLERİN GÜVENLİĞİ

- Çıplak ayakla veya açık ayakla giyerken aleti kullanmayın; her zaman sağlam ayakkabılar ve uzun pantolonlar giyin
- Bol giysiler giymekten, bağcıklarınızı çözmekten ve kravat takmaktan kaçının

- Aleti sadece açık alanda (duvarlara veya diğer sert nesnelere fazla yaklaşmadan) ve sağlam düz yüzeyde çalıştırın
- Aleti, çocukların erişemeyeceği, **iç mekanlarda** kilitle ve kuru bir yerde saklayın

## KULLANMADAN ÖNCE

- Tüm vida, somun, civata ve kilitletlerin sıkılığını kontrol edin ve koruyucu başlıklar ile izgaraların yerinde olduğundan emin olun
- Giriş deliğinin boş olduğundan emin olun

## KULLANIM SIRASINDA

- Yüzünüzü ve vücudunuzu giriş deliğinden uzak tutun
- Ellerinizi (veya diğer vücut parçalarınızı) ya da giysilerinizi giriş deliği veya çıkış deliği içine sokmayın veya herhangi bir hareketli parçaya yaklaştırmayın
- Her zaman dengeyi ve doğru duruşunuzu koruyun; aşırı uzanmayın
- Malzemeyi atarken aletin temelinden yüksek bir seviyede durmayın
- Aleti çalıştırırken çıkış alanı ile aranızda uygun mesafe bırakın
- Alete malzeme atarken metal parçaları, taşlar, şişeler, teneye kutular veya diğer yabancı maddeler içermemesine son derece dikkat edin
- Kesici mekanizma herhangi bir yabancı cisme çarparsa veya alet anormal ses çıkarmaya ya da titremeye başlarsa, aleti derhal kapatın, kesme bıçağının durmasını bekleyin, aletin fişini çekin ve aşağıdaki adımları izleyin
  - hasar bakımından kontrol edin
  - hasal parçaları değiştirin veya tamir edin
  - gevşemiş parçalar varsa bunları sıkın
- İşlenmiş malzemenin çıkış alanında birikmesine izin vermeyin; bu, malzemenin doğru bir şekilde boşaltılmamasına ve giriş deliğinden çıkmasına neden olabilir
- Alet tikanırsa, atıkları temizlemeden önce aleti kapatın, kesme bıçağının durmasını bekleyin ve aletin fişini çekin
- Motorun zarar görmesini veya olası yangını önlemek için motorun soğutma deliklerini atıklardan ve diğer birikimlerden temiz tutun
- Motor çalışırken aleti eğmeyin veya başka bir yere taşımayın

## KULLANIM

- Montaj talimatları ⑭
  - resimde gösterildiği üzere diskleri temin edilen iki A anahtarları ve montaj aleti kullanarak takın
  - B toplama torbasını C çıkışının altına yerleştirin
  - D itici tutucusunu takın
- Açma/kapama ⑮
  - aleti E düğmesini "I"/"O" konumuna getirerek açıp çalıştırın/kapatın
- ! aleti kapattıktan sonra bıçak birkaç saniye daha dönmeye devam eder**
- aleti yeniden çalıştırmadan önce kesme bıçaklarının durmasını bekleyin
- ! sabitleme düğmesi F tam olarak sıkılmadan alet çalışmayacaktır**
- ! aleti hızlı şekilde açıp kapatmayın**
- Yeniden çalışma koruması
  - güç kaynağının arızalanması durumunda alet kendiliğinden başlamayacaktır
  - aleti yeniden çalıştırmak için E ⑮ düğmesini basın

- Aşırı yük koruma  
Aşırı yüklenme (ör: kesici bıçağın tıkanması) aletin durmasına neden olabilir
  - aleti yeniden çalıştırmadan önce kısa bir süre bekleyin
  - ilk önce G 15 tuşuna basarak aleti yeniden başlatın ve daha sonra E 15 düğmesine basın
- Öğütme 16
  - parçalanacak malzemeyi H girişi deliğinden atın
  - sadece giriş deliğinin tıkanmasına yol açmayacak miktarda malzeme atın
  - ! **uzun malzeme kesilirken sıçrayabilir**
  - ! **öğütülen malzemenin küçük parçaları giriş deliğinden geri çıkabilir**
  - ! **aleti kullanırken koruyucu gözlük, işitem koruması ve koruyucu eldiven takın**
  - mutfak atıkları gibi yumuşak çöpleri öğütücüyü atmayın
  - parçalanmış malzemenin C çıkışından kolayca çıktığından emin olun
  - J 2 havalandırma yuvalarının toplama torbası veya parçalanmış malzeme ile tıkanmadığından emin olun
  - C çıkışının öğütülmüş malzeme ile tıkanmasını önleyin, çünkü bu malzemenin H girişi deliğinden geri çıkmasına neden olabilir
- Tıkanıklığın temizlenmesi 17
  - ! **aleti kapatın ve fişi prizden çekin**
  - gösterildiği üzere F sabitleme düğmesini gevşetin ve aleti açın
  - bıçak alanını temizleyin (sıkışmış atıkları bir sopa veya plastik bir aletle temizleyin)
  - ayrıca C çıkışındaki atıkları temizleyin
  - aleti kapatın ve F sabitleme düğmesini iyice sıkın
- Bıçakların çevrilmesi/değiştirilmesi 18
  - ! **aleti kapatın ve fişi prizden çekin**
  - kesme bıçağının her iki tarafında keskin kenarları vardır; dolayısıyla, bir tarafı körleştirdiğinde öbür tarafı kullanılabilir
  - her iki taraf körleştirdiğinde kesme bıçağını değiştirin (SKIL yedek parça numarası 2610Z02553, YAT 8231-545201 şeklinde işaretlenmiştir)
  - gösterildiği üzere F sabitleme düğmesini gevşetin ve aleti açın
  - her iki bıçak civatasını L altıgen anahtarla gevşetin ve M metal plakasını destek olarak kullanın
  - gösterildiği üzere kesme bıçağını ters çevirerek takın
  - her iki bıçak civatasını L altıgen anahtarla sıkın ve M metal plakasını destek olarak kullanın
  - aleti kapatın ve F sabitleme düğmesini iyice sıkın

## UYGULAMA

- En iyi sonuçlar için kısa süre önce kesilmiş taze dalları parçalayın
- K iticiyi yumuşak malzemeyi atarken kullanın 19
- Yumuşak bahçe atıklarını özellikle ıslak olduklarında küçük miktarlarda parçalayın
- Dalları aralıklı olarak parçalayarak tıkanıklıkları önleyebilirsiniz

## BAKIM / SERVİS

- Bu alet profesyonel kullanıma yönelik değildir
- Aletin dikkatli bir şekilde bakımını yapın ve temiz tutun
  - havalandırma deliklerinin her zaman temiz kalmasını sağlayın
- ! **temizlemeden önce, cihazın fişini prizden çekin**

- Gevşek, yerinden çıkmış veya hasar görmüş bıçaklar, gevşek bağlantılar ve aşınmış veya hasar görmüş parçalar gibi arızalara karşı düzenli aralıklarda kontrol edin
- Emniyeti sağlamak için aşınmış veya hasar görmüş parçaları değiştirin
- N 20 emniyet kilidinin eğrilmesini önleyin, çünkü eğrilmesi aletin hatalı çalışmasına yol açabilir
- Aleti kontrol etmeden, ayarını ya da bakımını yapmadan ve/veya depolamadan önce aleti durdurun, kesme bıçağının durmasını bekleyin, aletin fişini çekin ve soğumasını bekleyin
- Aleti kapalı ve kuru bir yerde saklayın
- Öğütme ünitesinin bakımını yaparken, koruyucu başlığın emniyet kilidi özelliği sayesinde motor çalışmasa bile, öğütme ünitesinin hala elle hareket ettirilebilir olduğunu unutmayın
- Dikkatli biçimde yürütülen üretim ve test yöntemlerine rağmen aleti arıza yapacak olursa, onarım SKIL elektrikli aletleri için yetkili bir serviste yapılmalıdır
  - aleti ambalajıyla birlikte satın alma belgenizde ekleyerek satıcınıza veya en yakın SKIL servise ulaştırın (adresler ve aletin servis şemaları [www.skil.com](http://www.skil.com) adresinde listelenmiştir)

## ÇEVRE

- Elektrikli aletlerini, aksesuarları ve ambalajları evdeki çöp kutusuna atmayınız** (sadece AB ülkeleri için)
  - kullanılmış elektrikli aletleri, elektrik ve elektrikli eski cihazlar hakkındaki 2012/19/EC Avrupa yönergelerine göre ve bu yönergeler ulusal hukuk kurallarına göre uyarlanarak, ayrı olarak toplanmalı ve çevre şartlarına uygun bir şekilde tekrar değerlendirmeye gönderilmelidir
  - sembol 12 size bunu anımsatmalıdır

## UYGUNLUK BEYANI CE

- Tek sorumlu olarak "Teknik veriler" bölümünde tanımlanan ürünün aşağıdaki norm veya normatif belgelere uygunluğunu beyan ederiz: EN 60335, EN 13683, EN 61000, EN 55014 yönetmeliği hükümleri uyarınca 2006/95/EG, 2004/108/EG, 2006/42/EG, 2000/14/EG, 2011/65/EU
- Teknik belgelerin bulunduğu merkez:** SKIL Europe BV (PT-SEU/ENG1), 4825 BD Breda, NL

Marijn van der Hoofden  
Operations & Engineering

Olaf Dijkgraaf  
Approval Manager

SKIL Europe BV, 4825 BD Breda, NL

19.12.2013

CE11

## GÜRÜLTÜ

- Ölçülen 2000/14/EG (EN/ISO 3744) göre güvenceli ses gücü düzeyi LWA 113 dB(A) değerinden daha düşüktür (uygunluğa ilişkin değerlendirme yöntemi Ek V'e göredir)  
Onaylayan kuruluş: KEMA, Arnhem, NL  
Onaylayan kuruluşun sicil numarası: 0344

## WSTĘP

- Narzędzie nie jest przeznaczone do zastosowań profesjonalnych
- Narzędzie jest przeznaczone do cięcia i kompostowania włóknistych i drewnianych odpadów ogrodowych
- Należy sprawdzić, czy opakowanie zawiera wszystkie części pokazane na rysunku ②
- W razie braku lub uszkodzenia części, skontaktuj się dealerm
- Proszę dokładnie przeczytać niniejszą instrukcję przed rozpoczęciem eksploatacji i zachować ją na przyszłość ③
- Proszę zwrócić szczególną uwagę na instrukcje i ostrzeżenia odnoszące się do bezpieczeństwa obsługi; ich nieprzestrzeganie może prowadzić do poważnego uszkodzenia**

## DANE TECHNICZNE ①

- \* Tryb pracy S6 (P40 = 40%) to rodzaj obciążalności urządzenia, zakładający 4 min pracy pod obciążeniem i 6 min pracy na biegu jałowym (w zastosowaniach praktycznych możliwa jest praca ciągła)

## ELEMENTY NARZĘDZIA ②

- A Klucz (2)
- B Worek na odpady
- C Wylot
- D Uchwyt na popychacz
- E Właznik/wyłaznik
- F Pokrętko zabezpieczające
- G Przycisk ponownego uruchamiania
- H Włot
- J Szczeliny wentylacyjne
- K Popychacz
- L Klucz sześciokątny
- M Metalowa tabliczka
- N Blokada bezpieczeństwa

## BEZPIECZEŃSTWO

### INFORMACJE O BEZPIECZEŃSTWIE DOTYCZĄCE ROZDRABNIACZA

#### OBJAŚNIENIE SYMBOLI NA NARZĘDZIU

- ③ **Przed użyciem przeczytaj instrukcję obsługi**
- ④ **Narzędzie należy wyłączyć oraz wyjąć wtyczkę z gniazda sieciowego przed przystąpieniem do czyszczenia/konserwacji lub w przypadku uszkodzenia bądź zaplątania się kabla (przedłużacza)**
- ⑤ **NIEBEZPIECZEŃSTWO** Obracające się ostrza; gdy narzędzie jest uruchomione, nie wolno zbliżać ręki do otworów narzędzia
- ⑥ **Należy zwrócić uwagę na ryzyko obrażeń ciała spowodowane unoszącymi się w powietrzu odpadami** (osoby postronne powinny znajdować się w bezpiecznej odległości od obszaru roboczego narzędzia)

- ⑦ Przed dotknięciem któregośkolwiek elementu należy poczekać, aż wszystkie ruchome elementy całkowicie się zatrzymają
- ⑧ Stosować rękawice ochronne
- ⑨ Należy stosować okulary ochronne i ochraniacze suchu
- ⑩ Narzędzia nie należy narażać na działanie opadów atmosferycznych
- ⑪ Podwójna izolacja (brak uziemienia)
- ⑫ Nie wyrzucaj narzędzie wraz z odpadami z gospodarstwa domowego
- ⑬ Gniazda i wtyczki znajdujące się w pobliżu miejsca pracy lub poza pomieszczeniami powinny być klasy IP X4 / BS 5490, zapewni to odpowiedni poziom zabezpieczeń (wodoszczelność itp.), i miejsca wprowadzania kabli muszą być odpowiednio uszczelnione

#### OGÓLNE

- To urządzenie nie może być obsługiwane przez osoby (włącznie z dziećmi) o obniżonych zdolnościach fizycznych, sensorycznych lub umysłowych, nieposiadające stosownego doświadczenia i wiedzy, chyba że używają go pod nadzorem osoby odpowiedzialnej za ich bezpieczeństwo lub zostały przez nią odpowiednio poinstruowane w zakresie obsługi urządzenia
  - Upewnić się, że dzieci nie bawią się urządzeniem
  - Należy zapoznać się z elementami sterującymi narzędzia i zasadami jego prawidłowej obsługi
  - Nigdy nie zezwalać na korzystanie z narzędzia dzieciom ani osobom, które nie zapoznały się z instrukcją obsługi (prawo lokalne może stanowić o minimalnym wieku osoby obsługującej urządzenie)
  - Nie należy korzystać z narzędzia w pobliżu innych osób. Jeśli w pobliżu znajdują się inne osoby (zwłaszcza dzieci) lub zwierzęta, należy zaprzestać korzystania z urządzenia
  - Użytkownik ponosi odpowiedzialność za wypadki lub sytuacje zagrożenia dotyczące innych osób lub ich mienia
  - Wszystkie osłony ochronne i deflektory muszą być zainstalowane na swoim miejscu i być w dobrym stanie
  - Zawsze należy wyłączyć narzędzie, poczekać na zatrzymanie się ostrza i odłączyć wtyczkę
    - gdy narzędzie jest pozostawiane bez nadzoru
    - przed usunięciem zakleszczonego materiału
    - przed wykonaniem kontroli, przystąpieniem do czyszczenia lub rozpoczęciem pracy nad narzędziem
  - ! przed zamontowaniem lub zdjęciem worka**
- #### BEZPIECZEŃSTWO ELEKTRYCZNE
- Każdorazowo należy sprawdzać, czy napięcie zasilania jest zgodne z napięciem podanym na tabliczce znamionowej urządzenia
  - Regularnie sprawdzać kabel i zlec jego wymianę wykwalifikowanej osobie w przypadku uszkodzenia
  - Należy regularnie sprawdzać przedłużacz i wymienić go w razie stwierdzenia uszkodzeń (**wadliwe przedłużacze mogą stwarzać zagrożenie**)
  - Podczas pracy w otoczeniu o wysokiej wilgotności należy używać wyłącznika różnicowoprądowego z natężeniem prądu wyzwalającego wynoszącym maksymalnie 30 mA
  - Należy stosować wyłącznik przedłużacza typu H05VV-F lub H05RN-F przystosowane do użycia na zewnątrz, wyposażone w wodoszczelne gniazdo sprzęgające

- Narzędzie należy wyłączyć i wyjąć wtyczkę z gniazda sieciowego, jeśli kabel zasilający lub przedłużacz został przecięty, uszkodzony lub się zaplałat (kabela nie wolno dotykać przed wyjęciem wtyczki)
- Uszkodzony kabel zasilający może być wymieniony tylko w centrum serwisowym SKIL; pozwoli to uniknąć zagrożeń
- W przypadku korzystania z kabla przedłużającego należy zwrócić uwagę, aby był maksymalnie nawinięty na bęben oraz był przystosowany do przewodzenia prądu o natężeniu przynajmniej 16 A
- Należy trzymać przewód (przedłużacz) z dala od źródeł ciepła, oleju oraz ostrych krawędzi
- Nie należy deptać ani zgniatać przewodu (przedłużacza), jak również ciągnąć za niego
- Należy używać wyłącznie przedłużaczy o maksymalnej długości 20 m (1,5 mm<sup>2</sup>) lub 50 m (2,5 mm<sup>2</sup>)

#### BEZPIECZEŃSTWO OSÓB

- Nie należy używać narzędzia bez obuwia lub w sandałach; należy zawsze nosić solidne obuwie i spodnie z długimi nogawkami
- Nie wolno nosić luźnych ubrań (z luźnymi sznurkami itp.) ani krawata
- Narzędzie może być używane tylko na zewnątrz, nie w pomieszczeniach, w odpowiedniej odległości od ściany i innych stałych obiektów, na stabilnej, płaskiej powierzchni
- Przechowywać urządzenia **wewnątrz w suchym, zamkniętym pomieszczeniu z dala od dzieci**

#### PRZED UŻYCIEM

- Należy sprawdzić, czy wszystkie śruby, nakrętki i inne mocowania są w dobrym stanie oraz czy elementy ochronne i osłony są na swoim miejscu
- Należy sprawdzić, czy wlot jest pusty

#### PODCZAS UŻYWANIA

- Nie wolno zbliżać twarzy ani innych części ciała do wlotu urządzenia
- Nie wolno wkładać części ubrania ani rąk czy innych części ciała do wlotu lub wylotu ani zbliżać ich do którejkolwiek ruchomej części
- Przez cały czas należy dbać o utrzymanie odpowiedniej postawy i równowagi ciała; nie wolno sięgać za daleko
- Podczas wkładania rzeczy do rozdrabniacza nie wolno stać wyżej niż podstawa narzędzia
- Podczas pracy z narzędziem należy zawsze zachowywać odpowiednią odległość od wylotu
- Podczas wkładania rzeczy do narzędzia należy zwrócić uwagę, aby nie było tam kamieni, metalu, butelek, puszek ani innych przedmiotów mogących uszkodzić urządzenie
- Jeśli mechanizm tnący uderzy w obcy obiekt lub narzędzie znacznie wydawać nietypowe dźwięki albo wibrować, należy natychmiast je wyłączyć, poczekać na zatrzymanie się ostrza, odłączyć wtyczkę i wykonać poniższe czynności
  - należy sprawdzić, czy urządzenie nie jest uszkodzone
  - wszystkie uszkodzone elementy trzeba wymienić lub naprawić
  - należy sprawdzić, czy żadna część nie jest poluzowana; jeśli tak, należy ją dokręcić
- Nie wolno pozwolić na gromadzenie się przy wylocie rozdrobnionego materiału; może to uniemożliwić prawidłowy wyrzut rozdrobnionego materiału, co z kolei grozi gwałtownym odrzuceniem rzeczy wkładanych do wlotu

- Jeśli narzędzie zablokuje się, przed rozpoczęciem czyszczenia należy je wyłączyć, poczekać na zatrzymanie się ostrzy i odłączyć wtyczkę
- Otwory wentylacyjne silnika powinny być czyste i musza być wolne od śmieci i innych odpadów; pozwoli to uniknąć zniszczenia silnika i pożaru
- Gdy silnik jest uruchomiony, nie wolno przechylać ani przenosić narzędzia

## UŻYTKOWANIE

- Instrukcja montażu <sup>(14)</sup>
  - kółka należy montować przy użyciu dwóch dołączonych kluczy A oraz dołączonego narzędzia, zgodnie z przedstawioną ilustracją
  - worek na odpady B należy umieścić pod wylotem C
  - mocowanie uchwyty popychacza D
- Włącznik/wyłącznik <sup>(15)</sup>
  - włączenie/wyłączenie narzędzia następuje poprzez ustawienie przycisku E w pozycji "I"/"O"
  - ! **po włączeniu narzędzia nóż będzie się obracać przez kilka sekund**
  - przed ponownym włączeniem urządzenia należy zaczekać na zatrzymanie ostrza
  - ! **narzędzie nie zostanie uruchomione, jeśli pokrętko zabezpieczające F nie jest całkowicie dokręcone**
  - ! **nie należy zbyt szybko włączać i wyłączać urządzenia**
- Ochrona przed niespodziewanym ponownym uruchomieniem
  - po awarii zasilania nie nastąpi automatyczne ponowne uruchomienie się narzędzia
  - aby uruchomić ponownie narzędzie, naciśnij przelącznik E <sup>(15)</sup>
- Zabezpieczenie przed przecięciem
  - Przeladowanie (np. zablokowanie noża tnącego) może doprowadzić do zatrzymania narzędzia
  - odczekaj krótką chwilę przed ponownym włączeniem narzędzia
  - uruchom ponownie narzędzie, naciskając przycisk G <sup>(15)</sup> i przelącznik E <sup>(15)</sup>
- Rozdrabnianie <sup>(16)</sup>
  - materiał do rozdrobnienia należy włożyć do wlotu H
  - należy wkładać jednocześnie tylko taką ilość materiału, jaka nie spowoduje zablokowania wlotu
  - ! **dłuższy materiał może się podczas rozdrabniania gwałtownie przesuwać na boki**
  - ! **małe elementy mogą być odrzucane z wlotu**
  - ! **podczas obsługi narzędzia należy nosić okulary ochronne, nauszники i rękawice**
  - nie wolno wkładać do rozdrabniacza miękkich materiałów, takich jak odpady kuchenne
  - należy upewnić się, czy rozdrobniony materiał może swobodnie wydostać się z rozdrabniacza przez wylot C
  - należy upewnić się, że otwory wentylacyjne J <sup>(2)</sup> nie są zasłonięte przez worek lub rozdrobniony materiał
  - należy unikać blokowania wylotu C rozdrobnionym materiałem. Może to spowodować gwałtowne odrzucenie rzeczy wkładanych do wlotu H
- Usuwanie elementów blokujących <sup>(17)</sup>
  - ! **wyłącz narzędzie i wyciągnij wtyczkę z gniazdka**
  - poluzuj pokrętko zabezpieczające F i otwórz narzędzie, tak jak to pokazano na ilustracji

- wyczyścić obszar ostrza (zbite odpady wyjmij przy użyciu plastikowego lub drewnianego narzędzia)
- pamiętaj także o wyczczeniu wylotu C
- zamknij narzędzie i dokładnie dokręć pokrętko zabezpieczające F
- Odwracanie lub zmiana ostrza tnącego 18
  - ! **wyłącz narzędzie i wyciągnij wtyczkę z gniazdka**
  - ostrze tnące jest ostrzone obustronnie; kiedy jedna strona ulegnie stępieniu, należy przelożyć je na drugą stronę
  - gdy obie strony ulegną stępieniu, należy wymienić ostrze (numer części zamiennej SKIL 2610Z02553, oznaczenie YAT 8231-545201)
  - poluzuj pokrętko zabezpieczające F i otwórz narzędzie, tak jak to pokazano na ilustracji
  - poluzuj obie śruby ostrza kluczem sześciokątnym L, używając jako podkładki metalowej płyty M
  - odwróć i zamocuj ostrze, tak jak to pokazano na ilustracji
  - dokręć obie śruby ostrza kluczem sześciokątnym L, używając jako podkładki metalowej płyty M
  - zamknij narzędzie i dokładnie dokręć pokrętko zabezpieczające F

## WSKAZÓWKI UŻYTKOWANIA

- Najlepsze efekty uzyskuje się, rozdrabniając świeże gałęzie, zaraz po ich odcięciu
- Do podawania miękkiego materiału należy użyć popychacza K 19
- Odpady ogrodowe o miękkiej konsystencji należy wkładać do urządzenia mniejszymi porcjami, zwłaszcza gdy są mokre
- Aby uniknąć blokowania się urządzenia, należy podawać gałęzie mniejszymi partiami

## KONSERWACJA / SERWIS

- Narzędzie nie jest przeznaczone do zastosowań profesjonalnych
- Urządzenie należy regularnie czyścić i konserwować
  - należy zawsze upewnić się, że w otworach wentylacyjnych nie znajdują się żadne elementy
- ! **przed przystąpieniem do czyszczenia należy wyjąć wtyk z gniazda sieciowego**
- Należy regularnie sprawdzać, czy ostrze nie jest poluzowane, przesunięte lub uszkodzone oraz czy mocowania nie są poluzowane i czy nie ma zużytych lub uszkodzonych części
- Aby zapewnić bezpieczną pracę, zużyte lub uszkodzone części należy wymienić
- Należy unikać gięcia blokady zabezpieczającej N 20; może to spowodować awarię narzędzia
- Przed inspekcją, regulacją, konserwacją lub dłuższym okresem nieużywania urządzenia, należy je wcześniej wyłączyć, poczekać na zatrzymanie się ostrza, odłączyć wtyczkę i poczekać, aż urządzenie zostanie schłodzone
- Narzędzie należy przechowywać w suchym pomieszczeniu
- Podczas serwisowania rozdrabniacza należy pamiętać, że mimo blokady zabezpieczającej przed uruchomieniem silnika, część rozdrabniająca nadal może być poruszana ręcznie
- Jeśli narzędzie, mimo dokładnej i wszechstronnej kontroli produkcyjnej ulegnie kiedykolwiek awarii, naprawę powinien przeprowadzić autoryzowany serwis elektronarzędzi firmy SKIL

- odesłać **nierozebrany** narzędzie, wraz z dowodem zakupu, do dealera lub do najbliższego punktu usługowego SKIL (adresy oraz diagram serwisowy narzędzenia znajdują się na stronach [www.skil.com](http://www.skil.com))

## ŚRODOWISKO

- **Nie wyrzucaj elektronarzędzi, akcesoriów i opakowania wraz z odpadami z gospodarstwa domowego** (dotyczy tylko państw UE)
  - zgodnie z Europejską Dyrektywą 2012/19/WE w sprawie zużytego sprzętu elektrotechnicznego i elektronicznego oraz dostosowaniem jej do prawa krajowego, zużyte elektronarzędzia należy posegregować i zutylizować w sposób przyjazny dla środowiska
  - w przypadku potrzeby pozbycia się narzędzia, akcesoriów i opakowania - symbol 22 przypomni Ci o tym

## DEKLARACJA ZGODNOŚCI CE

- Oświadczamy z pełną odpowiedzialnością, że produkt, przedstawiony w "Dane techniczne", odpowiada wymaganiom następujących norm i dokumentów normatywnych: EN 60335, EN 13683, EN 61000, EN 55014 zgodnie z wymaganiami dyrektyw 2006/95/EU, 2004/108/EU, 2006/42/EU, 2000/14/EU, 2011/65/EU
- **Dokumentacja techniczna:** SKIL Europe BV (PT-SEU/ENG1), 4825 BD Breda, NL

Marijn van der Hoofden  
Operations & Engineering

Olaf Dijkgraaf  
Approval Manager

SKIL Europe BV, 4825 BD Breda, NL

19.12.2013

CE11

## HAŁASU

- Gwarantowany poziom mocy akustycznej LWA mierzony zgodnie z normą 2000/14/WE (EN/ISO 3744) jest niższy niż 113 dB(A) (sposób oceny zgodności wg załącznika V) Urząd zatwierdzający: KEMA, Arnhem, NL  
Numer identyfikacyjny urzędu zatwierdzającego: 0344

RU

## Измельчитель

0770

## ВВЕДЕНИЕ

- Данный инструмент не подходит для промышленного использования
- Этот инструмент предназначен для резки волокнистых и древесных садовых отбросов для компостирования
- Проверьте наличие в упаковке всех частей, показанных на рисунке 2
- В случае отсутствия или повреждения деталей обращайтесь в магазин, где был приобретен инструмент

- Перед использованием прибора внимательно ознакомьтесь с данной инструкцией и сохраните ее для последующего использования ③
- **Обратите особое внимание на инструкции по безопасности и предупреждения; нарушение этих инструкций и предупреждений может привести к серьезным повреждениям**

## ТЕХНИЧЕСКИЕ ДАННЫЕ ①

- \* Режим работы S6 (P40 = 40%) обозначает профиль нагрузки: 4 минуты нагрузка и 6 минут холостой ход (для практического применения допускается продолжительный режим)

## ДЕТАЛИ ИНСТРУМЕНТА ②

- A Ключ (2)
- B Мешок для мусора
- C Выпускное отверстие
- D Держатель зонда
- E Выключатель вкл/выкл
- F Предохранительная ручка
- G Кнопка для повторного запуска
- H Впускное отверстие для подачи
- J Вентиляционные отверстия
- K Зонд
- L Ключ-шестигранник
- M Металлическая пластина
- N Предохранительный фиксатор

## БЕЗОПАСНОСТЬ

### ИНСТРУКЦИИ ПО ТЕХНИКЕ БЕЗОПАСНОСТИ ДЛЯ ИЗМЕЛЬЧИТЕЛЕЙ

#### ПОЯСНЕНИЕ К УСЛОВНЫМ ОБОЗНАЧЕНИЯМ НА ИНСТРУМЕНТЕ

- ③ **Перед использованием ознакомьтесь инструкцию по применению**
- ④ **В случае, если повредился или запутался (удлинительный) шнур, перед тем, как распутать или отремонтировать его, отключите устройство и выньте вилку из розетки**
- ⑤ **ОПАСНО!** Вращающиеся ножи; во время работы инструмента держите руки на безопасном расстоянии от отверстий
- ⑥ **Остерегайтесь отлетающих осколков** (окружающие должны находиться на безопасном расстоянии от места уборки)
- ⑦ **Дождитесь, пока все движущиеся детали инструмента полностью не остановятся, прежде чем прикасаться к ним**
- ⑧ **Надевайте защитные перчатки**
- ⑨ **Одевайте защитные очки и средства защиты волос**
- ⑩ **Исключите возможность попадания на инструмент дождя**
- ⑪ **Двойная изоляция (заземляющий провод не требуется)**
- ⑫ **Не выкидывайте инструмент вместе с бытовым мусором**
- ⑬ **Вилки и розетки, находящиеся рядом с рабочим местом, должны соответствовать классу IP X4**

стандарта BS 5490 для обеспечения необходимой защиты от проникновения воды и т.д., кабельные вводы должны иметь надлежащую изоляцию

### ОБЩЕЕ

- Этот инструмент не должен использоваться лицами (включая детей) с ограниченными физическими, сенсорными или умственными способностями, или лицами, не имеющими достаточного опыта и знаний, за исключением случаев, когда они работают под надзором или проинструктированы в вопросах использования инструмента лицом, ответственным за их безопасность
- Убедитесь, что дети не имеют возможности играть с инструментом
- Ознакомьтесь со средствами управления и порядком работы с инструментом
- Никогда не допускайте к работе с устройством детей или людей, не ознакомленных с инструкцией по эксплуатации этого инструмента (возраст оператора может ограничиваться в соответствии с местным нормами)
- Категорически запрещено использовать инструмент в непосредственной близости от людей (особенно детей) и животных
- За несчастные случаи с людьми или повреждение их имущества, а также угрозу для них отвечает пользователь
- Следите за тем, чтобы щитки и дефлекторы находились в рабочем состоянии
- Всегда выключайте инструмент, дожидаясь остановки режущих ножей и извлекайте вилку из розетки
  - если оставляете инструмент без присмотра
  - перед тем, как убирать застрявшие предметы
  - перед тем, как осматривать, очищать инструмент или проводить с ним другие операции
- ! **перед установкой или снятием мешка для мусора**

### ЭЛЕКТРИЧЕСКАЯ БЕЗОПАСНОСТЬ

- Обязательно убедитесь, что напряжение питания соответствует напряжению, указанному на фирменном штемпеле инструмента
- Периодически осматривайте шнур и необходимо, чтобы квалифицированный специалист заменил сетевой шнур в случае повреждения
- Периодически осматривайте удлинительный шнур и заменяйте его в случае повреждения (**использование несоответствующих удлинительных шнуров небезопасно**)
- При работе во влажных условиях используйте устройство защитного отключения (УЗО) с максимальным пусковым током 30 мА
- Используйте только удлинительные кабели марки H05VV-F или H05RN-F, предназначенные для работ на открытом воздухе и оснащенные водонепроницаемыми штепсельными разъемами и розетками
- В случае разрезания, повреждения или запутывания силового или удлинительного шнура, выключите инструмент и вытяните вилку с розетки (**не касайтесь шнура, пока вилка вставлена в розетку**)
- Поврежденный шнур питания необходимо заменить в сервисном центре SKIL, чтобы избежать опасных последствий

- Используйте полностью размотанные и безопасные удлинители, рассчитанные на ток не менее 16 А
- Защищайте (удлинительный) шнур от источников тепла, масла и острых краев
- Не наступайте на (удлинительный) шнур, не надавливайте на него и не тяните его
- Не используйте удлинительные шнуры длиной больше, чем 20 м (1,5 мм<sup>2</sup>) или 50 м (2,5 мм<sup>2</sup>)

### ЛИЧНАЯ БЕЗОПАСНОСТЬ

- Не работайте с инструментом босиком или в сандалиях с открытым верхом; всегда носите прочную обувь и длинные брюки
- Не работайте в свободной одежде, с поясами или галстуками
- Используйте инструмент только на открытом пространстве (подальше от стен или других твердых предметов) и на ровной твердой поверхности
- Храните инструмент **в помещении** в сухом, запираемом, не доступном для детей месте

### ПЕРЕД ИСПОЛЬЗОВАНИЕМ

- Убедитесь, что все винты, гайки, болты и другие крепежные детали надежно закреплены, а щитки и экраны установлены на своих местах
- Убедитесь, что отверстие для подачи пустое

### ВО ВРЕМЯ ИСПОЛЬЗОВАНИЯ

- Соблюдайте безопасное расстояние между лицом и другими частями тела и впускным отверстием для подачи
- Не допускайте попадания рук (или других частей тела) или одежды внутрь впускного отверстия для подачи и выпускного отверстия, а также соблюдайте безопасное расстояние от движущихся деталей
- Соблюдайте равновесие, займите устойчивое положение; не перенапрягайтесь
- При подаче материала запрещается находиться выше основания инструмента
- При работе с инструментом соблюдайте надлежащее расстояние от зоны выпускного отверстия
- При подаче материала в инструмент будьте исключительно осторожны, могут попадаться куски металла, камни, осколки бутылок, жестяные банки или другие посторонние предметы
- Если режущий механизм наткнулся на посторонний предмет и инструмент начал издавать необычный шум или вибрировать, немедленно выключите инструмент, дождитесь остановки режущих ножей, извлеките вилку из розетки и выполните следующие действия
  - проверьте на наличие повреждений
  - замените или отремонтируйте поврежденные детали
  - проверьте и затяните незакрепленные детали
- Не допускайте скапливания обрабатываемого материала в зоне выпускного отверстия; это может помешать нормальному выходу материала и привести к его обратному выбросу через впускное отверстие для подачи
- Если инструмент загрязнен, то прежде чем его очистить, выключите его, дождитесь остановки режущих ножей и извлеките вилку из розетки
- Чтобы избежать повреждение двигателя и возникновения пожара, не допускайте скапливания мелких частиц в отверстиях для охлаждения двигателя
- Не наклоняйте и не транспортируйте инструмент во время работы двигателя

## ИСПОЛЬЗОВАНИЕ

- Указания по сборке <sup>(14)</sup>
  - с помощью двух ключей установите прилагаемые колеса А и соберите инструмент, как показано на рисунке
  - расположите мешок для мусора В под выпускным отверстием С
  - закрепите держатель зонда D
- Включение/выключение <sup>(15)</sup>
  - инструмент включается/выключается перемещением переключателя E в положение "I"/"O"
  - ! **нож остановится только спустя несколько секунд после отключения устройства**
  - перед повторным включением инструмента дождитесь остановки режущих ножей
  - ! **инструмент не начнет работу до тех пор, пока предохранительная ручка F не будет полностью затянута**
  - ! **не включайте и не выключайте инструмент быстро**
- Защита от повторного запуска
  - инструмент не начнет снова работать, если он прекратил работу вследствие отказа питания
  - нажмите выключатель E <sup>(15)</sup> для повторного запуска инструмента
- Защита от перегрузки
  - Перегрузка (например, вследствие блокирования режущего лезвия) может привести к остановке инструмента
  - немного подождите, прежде чем снова включить инструмент
  - снова запустите инструмент, сперва нажав кнопку G <sup>(16)</sup>, а затем выключатель E <sup>(15)</sup>
- Измельчение <sup>(16)</sup>
  - подайте материал для измельчения через впускное отверстие для подачи H
  - поместите такое количество материала, чтобы отверстие для подачи не засорилось
  - ! **при резке длинномерного материала он может внезапно ударить**
  - ! **небольшие куски измельченного материала могут вылетать из впускного отверстия для подачи**
  - ! **при работе с инструментом надевайте защитные очки и перчатки, а также используйте средства защиты слуха**
  - не подавайте в измельчитель мягкие бытовые отходы, например кухонные
  - убедитесь, что измельченный материал свободно выходит из выпускного отверстия С
  - убедитесь, что мешок для мусора и измельченный материал не перекрывают вентиляционные отверстия J <sup>(2)</sup>
  - избегайте засорения выпускного отверстия С измельченным материалом, так как это может привести к его обратному выбросу через впускное отверстие для подачи H
- Устранение засора <sup>(17)</sup>
  - ! **выключите инструмент и отсоедините сетевой шнур**
  - ослабьте предохранительную ручку F и откройте инструмент, как показано на рисунке



- очистите зону ножа (удалите утрамбованный мусор с помощью деревянного или пластмассового инструмента)
- также очистите выпускное отверстие С от мусора
- закройте инструмент и надежно затяните предохранительную ручку F
- **Переворот/замена режущего ножа ⑱**
- ! **выключите инструмент и отсоедините сетевой шнур**
- если режущее лезвие находится на обеих сторонах режущего ножа, то при затуплении одной стороны можно использовать другую сторону
- замените режущий нож, если обе его стороны затупились (номер запасной части SKIL 2610Z02553, маркированный YAT 8231-545201)
- ослабьте предохранительную ручку F и откройте инструмент, как показано на рисунке
- ослабьте оба болта ножа с помощью ключа-шестигранника L, используя металлическую пластину M как опору
- переверните и установите режущий нож, как показано на рисунке
- затяните оба болта ножа с помощью ключа-шестигранника L, используя металлическую пластину M как опору
- закройте инструмент и надежно затяните предохранительную ручку F

## СОВЕТЫ ПО ИСПОЛЬЗОВАНИЮ

- Для достижения наилучших результатов измельчайте свежие ветки непосредственно после их срезания
- Используйте зонд К для подачи мягкого материала ⑲
- Измельчайте мягкие садовые отходы небольшими партиями, особенно, если они влажные
- Засоры можно избежать, если периодически измельчать ветки

## ТЕХОБСЛУЖИВАНИЕ / СЕРВИС

- Данный инструмент не подходит для промышленного использования
- Ухаживайте за инструментом и содержите его в чистоте
  - не допускайте попадания осколков в вентиляционные отверстия
- ! **перед чисткой инструмента выньте вилку из розетки**
- Регулярно проверяйте инструмент на наличие неисправностей, например, ослабленных, смещенных или поврежденных ножей, ослабленных креплений, изношенных или поврежденных деталей
- В целях безопасности своевременно заменяйте изношенные или поврежденные детали
- Избегайте изгибания предохранительного фиксатора N ⑳, так как это может привести к неисправности инструмента
- Перед осмотром, регулировкой, обслуживанием и/или хранением инструмента всегда выключайте его, дождитесь остановки режущих лезвий, извлеките вилку из розетки и дайте инструменту остыть
- Храните инструмент в сухом помещении
- При обслуживании измельчителя помните, что даже если двигатель не запустится вследствие функции

- предохранительной фиксации щитка, измельчитель тем не менее можно передвигать вручную
- Если инструмент, несмотря на тщательные методы изготовления и испытания, выйдет из строя, то ремонт следует производить силами авторизованной сервисной мастерской для электроинструментов фирмы SKIL
  - отправьте **неразобранный** инструмент со свидетельством покупки Вашему дилеру или в ближайшую станцию обслуживания фирмы SKIL (адреса и схема обслуживания инструмента приведены в вебсайте [www.skil.com](http://www.skil.com))

## ОХРАНА ОКРУЖАЮЩЕЙ СРЕДЫ

- **Не выкидывайте электроинструмент, принадлежности и упавшую вместе с бытовым мусором** (только для стран ЕС)
  - во исполнение европейской директивы 2012/19/ЕС об утилизации отслужившего свой срок электрического и электронного оборудования и в соответствии с действующим законодательством, утилизация электроинструментов производится отдельно от других отходов на предприятиях, соответствующих условиям экологической безопасности
  - значок ⑳ напомним Вам об этом, когда появится необходимость сдать электроинструмент на утилизацию

## ДЕКЛАРАЦИЯ О СООТВЕТСТВИИ СТАНДАРТАМ С €

- С полной ответственностью мы заявляем, что описанный в разделе "Технические данные" продукт соответствует нижеследующим стандартам или нормативным документам: EN 60335, EN 13683, EN 61000, EN 55014 согласно положениям директив 2006/95/EC, 2004/108/EC, 2006/42/EC, 2000/14/EC, 2011/65/EC
- **Техническая документация у:** SKIL Europe BV (PT-SEU/ENG1), 4825 BD Breda, NL

Marijn van der Hoofden  
Operations & Engineering

Olaf Dijkstra  
Approval Manager

SKIL Europe BV, 4825 BD Breda, NL

19.12.2013

CE11

- Информация о сертификате соответствия расположена на последней странице настоящей Инструкции
- Сертификаты соответствия хранятся по адресу: ООО "Роберт Бош" ул. Акад. Королёва, 13, стр. 5 Россия, 129515, Москва
- **С января 2014 г.** Вашутинское шоссе, влад. 36 Россия, 141446 г.о. Химки
- **Дата производства** указана на последней странице настоящей инструкции
- Информацию об **импортере** изделия можно найти на упаковке

## ШУМНОСТИ

- Гарантированный уровень звуковой мощности LWA, измеренный согласно стандарту 2000/14/EC (EN/ISO 3744) ниже 113 дБ(А) (способ оценки соответствия согласно Приложению V)  
Уполномоченный орган: KEMA, Arnhem, NL  
Идентификационный номер уполномоченного органа: 0344

UA

## Подрібнювач

0770

### ВСТУП

- Цей інструмент не придатний для промислового використання
- Цей інструмент призначено для розрізання волокнистого та дерев'яного садового сміття для використання у якості компосту
- Перевірте наявність у упаковці всіх частин, показаних на малюнку ②
- У разі відсутності чи пошкодження деталей просимо звертатися в магазин, де було придбано інструмент
- Перед використанням приладу уважно прочитайте дану інструкцію з експлуатації й збережіть її для подальшого використання ③
- Зверніть особливу увагу на правила і попередження з техніки безпеки; їх недотримання може призвести до серйозної травми**

### ТЕХНІЧНІ ДАНІ ①

- \* Режим роботи S6 (P40 = 40%) означає режим навантаження, при якому через кожні 4 хвил. роботи під навантаженням прилад працює протягом 6 хвил. на холостому ході (на практиці допускається безперервна експлуатація)

### ЕЛЕМЕНТИ ІНСТРУМЕНТА ②

- A Ключ (2)
- B Мішок для сміття
- C Випускний отвір
- D Тримач проштовхувача
- E Вимикач живлення
- F Затискна ручка
- G Кнопка повторного старту
- H Всмоктувальний отвір
- J Вентиляційні отвори
- K Простовхувач
- L Шестигранний ключ
- M Металева пластина
- N Запобіжний замок

## БЕЗПЕКА

### ІНСТРУКЦІ З ТЕХНІКИ БЕЗПЕКИ ДЛЯ ПОДРІБНЮВАЧІВ

#### ПОЯСНЕННЯ ДО УМОВНИХ ПОЗНАЧОК НА ІНСТРУМЕНТІ

- ③ **Перед використанням прочитайте інструкцію із застосування**
- ④ **У разі, якщо пошкодився або заплутався подовжувач або силовий шнур, перед тим, як розплутувати чи ремонтувати його, вимкніть пристрій та витягніть вилку з розетки**
- ⑤ **НЕБЕЗПЕКА** В цьому інструменті використовуються леза, що обертаються, тому рекомендовано не підносити руки до отворів інструменту під час його роботи
- ⑥ **Остерігайтесь осколків, які відлітають** (люди довкола мають перебувати на безпечній відстані від місця прибирання)
- ⑦ **Зачекайте, поки повністю не зупиняться всі рухомі частини інструменту, перш ніж торкатися їх**
- ⑧ **Надягайте захисні рукавички**
- ⑨ **Одягайте захисні окуляри та засоби захисту волосся**
- ⑩ **Виключіть можливість потрапляння на інструмент дощу**
- ⑪ **Подвійна ізоляція (заземлюючий провід не потрібен)**
- ⑫ **Не викидайте інструмент разом зі звичайним сміттям**
- ⑬ **Штекери та розетки, розташовані поблизу місця роботи або на вулиці, повинні відповідати класу IP X4 BS 5490, щоб мати надійний захист від потрапляння води тощо, а кабельні підключення мають бути герметичними**

#### ЗАГАЛЬНЕ

- Цей інструмент не може використовуватись особами (включаючи дітей) з обмеженими фізичними, сенсорними або розумовими здібностями, або особами, які не мають достатньо досвіду та знань за виключенням випадків, коли вони працюють під наглядом або пройшли інструктаж щодо використання інструменту з боку особи, яка відповідає за їх безпеку
- Переконайтеся, що діти не мають змоги гратися з інструментом
- Ознайомтесь із засобами керування та порядком роботи з інструментом
- Ніколи не допускайте до роботи з пристроєм дітей або людей, які не ознайомились з інструкцією експлуатування (місцеві закони можуть обмежувати вік оператора)
- Категорично заборонено використовувати інструмент безпосередньо поблизу інших людей (особливо дітей) і тварин
- За нещасні випадки з людьми або пошкодження їх майна, а також загрозу для них відповідає користувач
- Не знімайте захисні щитки та дефлектори, і тримайте їх у доброму стані
- Завжди вимикайте інструмент, чекайте доки ріжуче лезо не зупиниться та відключайте вилку з розетки
  - коли залишаєте інструмент без нагляду
  - перед тим, як виймати застрягли предмети
  - перед тим, як оглядати, очищувати інструмент або проводити з ним інші операції
- ! перш ніж встановлювати або знімати мішок для сміття**

## ЕЛЕКТРИЧНА БЕЗПЕКА

- Перед роботою перевірте відповідність струму в мережі із струмом, позначені на інструменті
- Періодично оглядайте шнур та зйого повинен замінити кваліфікований фахівець у випадку пошкодження
- Періодично оглядайте подовжувач та замініть його у разі пошкодження (**використовувати невідповідний подовжувач небезпечно**)
- Під час роботи у вологих умовах використовуйте пристрій захисного вимикання (ПЗВ) з максимальним пусковим струмом 30 мА
- Використовуйте тільки подовжувач типу H05VV-F або H05RN-F, який призначено для зовнішніх робіт та обладнано водозахисною штепсельною розеткою
- У разі розрізання, пошкодження або заплутування силового шнура чи продовжувача, вимкніть інструмент і витягніть вилку з розетки (**не торкайтесь шнура, доки вилка вставлена у розетку**)
- З метою запобігання виникнення небезпечних ситуацій пошкоджений шнур живлення слід замінювати лише в авторизованій сервісній майстерні SKIL
- Використовуйте повністю розгорнений шнур подовжувача, який може витримувати навантаження в 16 Ампер
- Захищайте продовжувач від джерел тепла, оливи та гострих країв
- Не наступайте на подовжувач, не натискайте на нього та не тягніть його
- Не використовуйте продовжувачі завдовжки більше, як 20 м (1,5 мм<sup>2</sup>) або 50 м (2,5 мм<sup>2</sup>)

## БЕЗПЕКА ЛЮДЕЙ

- Не працюйте з інструментом босоніж або у відкритих сандалях; завжди одягайте міцне взуття та довгі штани
- Не одягайте широкий одяг, що вільно сидить на фігурі, ланцюжки або краватки
- Використовуйте інструмент лише на відкритому просторі (подалі від стін або інших твердих предметів) та на твердій і рівній поверхні
- Зберігайте інструмент у приміщенні в сухому, не доступному для дітей місці

## ПЕРЕД ВИКОРИСТАННЯМ

- Перевіряйте, щоб всі гвинти, гайки, болти та інші кріпильні деталі були надійно зафіксовані, і щоб захисні щитки та екрани були встановлені
- Переконайтесь, що всмоктувальний отвір пустий
- Тримайте обличчя та тіло подалі від всмоктувального отвору
- Слідуйте за тим, щоб руки (або інші частини тіла) або одяг не потрапляли у всмоктувальний отвір, випускний отвір або поблизу будь-яких рухомих частин
- Завжди тримайте рівновагу і не перенапружуйтеся
- Ніколи не стійте вище за основу інструменту, коли він всмоктує матеріал
- Завжди тримайтесь на відповідній відстані від зони випуску під час використання інструменту
- Під час всмоктування матеріалу в інструмент будьте дуже обережні, щоб всередину не потрапили шматки металу, каміння, пляшки, банки або інші сторонні предмети

## ПІД ЧАС ВИКОРИСТАННЯ

- Якщо в ріжучий механізм потрапить будь-який сторонній предмет, або якщо інструмент почне видавати якісь незвичні звуки або вібрації, негайно вимкніть його, зачекайте доки не зупиниться ріжуче лезо, відключіть вилку з розетки та зробіть наступне
  - огляньте на наявність пошкоджень
  - замініть або відремонтуйте пошкоджені частини
  - перевірте та затягніть недостатньо затягнуті частини
- Не дозволяйте обробленому матеріалу накопичуватися в зоні випуску, оскільки це може зашкодити нормальному виходу матеріалу та призвести до його викидання через всмоктувальний отвір
- Якщо інструмент забився, перш ніж прибирати з нього сміття вимкніть інструмент, зачекайте доки ріжуче лезо не зупиниться та відключіть вилку з розетки
- Тримайте охолоджувальні отвори вільними від сміття та інших матеріалів для запобігання пошкодженню двигуна або виникненню пожежі
- Не нахиляйте та не транспортуйте інструмент, якщо працює двигун

## ВИКОРИСТАННЯ

- Інструкції зі збирання <sup>14</sup>
  - встановіть колеса за допомогою двох ключів А, що йдуть у комплекті, та зберіть інструмент як показано на малюнку
  - встановіть мішок для сміття В під випускним отвором С
  - встановіть тримач проштовхувача D
- Вмикання/вимкнення <sup>15</sup>
  - вкл/викл. інструмент поставивши вимикач Е у положення "I"/"O"
  - ! після вмикання інструмента лезо продовжує рухатися протягом кількох секунд
  - перш ніж знову вмикати інструмент, почекайте, доки зупиниться ріжуче лезо
  - ! інструмент не увімкнеться, якщо повністю не затягнути затискну ручку F
  - ! не вмикайте та не вимикайте інструмент швидко
- Захист від повторного увімкнення
  - інструмент не почне працювати знову, якщо він вимкнувся через переривання живлення
  - скористайтесь вимикачем Е <sup>15</sup> для повторного увімкнення інструменту
- Захист від перенавантаження
  - Перенавантаження (напр., блокування різального леза) може призвести до зупинки інструмента
  - перш ніж знову вмикати інструмент, трохи зачекайте
  - знову увімкніть інструмент, спочатку натиснувши кнопку G <sup>16</sup>, а потім вимикач Е <sup>15</sup>
- Подрібнення <sup>16</sup>
  - подавайте матеріал для подрібнення у всмоктувальний отвір Н
  - подавайте тану кількість матеріалу, щоб всмоктувальний отвір не забивався
  - ! довгомірний матеріал під час розрізання може різко смикатися
  - ! маленькі частки подрібненого матеріалу можуть вилітати зі всмоктувального отвору
  - ! під час використання інструменту одягайте захисні окуляри, засоби захисту слуху та захисні рукавички

- не заправляйте в подрібнювач м'яке сміття, таке як кухонні відходи
- слідуйте за тим, щоб подрібнений матеріал виходив з випускного отвору вільно С
- переконайтесь, що вентиляційні отвори J ② не закриті мішком для сміття або подрібненим матеріалом
- слідуйте, щоб вихідний отвір С не закривався подрібненим матеріалом, оскільки це може призвести до викидання матеріалу через всмоктувальний отвір Н
- Усунення забивання ⑰
  - ! **вимкніть інструмент і витягніть вилку з розетки**
  - розкрутіть затискну ручку F та відкрийте інструмент, як показано на малюнку
  - почистіть область леза (приберіть утрамбоване сміття за допомогою дерев'яного або пластмасового знаряддя)
  - також приберіть сміття з вихідного отвору С
  - закрийте інструмент та надійно затягніть затискну ручку F
- Зміна/заміна ріжучого леза ⑱
  - ! **вимкніть інструмент і витягніть вилку з розетки**
  - різальне лезо має ріжучий край з обох боків; тож, якщо один ріжучий край притупився, можна використовувати інший край
  - замінійте ріжуче лезо, якщо притупились обидва ріжучі краї (номер запасної частини SKIL 2610Z02553, позначка YAT 8231-545201)
  - розкрутіть затискну ручку F та відкрийте інструмент, як показано на малюнку
  - послабте обидва болти леза за допомогою шестигранного ключа L, використовуючи металеву пластину M у якості опори
  - переверніть та встановіть ріжуче лезо, як показано на малюнку
  - закрутіть обидва болти леза за допомогою шестигранного ключа L, використовуючи металеву пластину M у якості опори
  - закрийте інструмент та надійно затягніть затискну ручку F

## ПОРАДИ ПО ВИКОРИСТАНЮ

- Для досягнення найкращого результату подрібнюйте свіжі гілки недовзі після зрізання
- Використовуйте проштовхувач K для подачі м'якого матеріалу ⑲
- Подрібнюйте м'яке садове сміття малими порціями, особливо якщо воно вологе
- Забивання можна уникнути, якщо час від часу подрібнювати гілки

## ДОГЛЯД/ОБСЛУГОВУВАННЯ

- Цей інструмент не придатний для промислового використання
- Добре доглядайте за інструментом та чистіть його
  - не допускайте потрапляння осколків у вентиляційні отвори

! **перед чисткою інструменту необхідно роз'єднати штепсельний роз'єм**

- Регулярно перевіряйте інструмент на наявність дефектів, таких як послаблення, зсування або пошкодження леза, послаблення кріплень, зношення або пошкодження частин
- Задля безпеки своєчасно замінійте зношені або пошкоджені частини
- Не згинайте запобіжний замок N ⑳, оскільки це може призвести до неправильної роботи інструменту
- Перш ніж оглядати, регулювати, ремонтувати та/або зберігати інструмент, обов'язково вимкніть його, зачекайте доки не зупиниться лезо, відключіть вилку з розетки та зачекайте, поки інструмент не охолоне
- Зберігайте інструмент у сухому приміщенні
- Під час ремонту подрібнювача пам'ятайте, що хоча двигун не увімкнеться через використання запобіжного замка, рухомі частини подрібнювача можна рухати руками
- Якщо незважаючи на ретельну технологію виготовлення і перевірки інструмент все-таки вийде з ладу, його ремонт дозволяється виконувати лише в авторизованій сервісній майстерні для електроприладів SKIL
  - надішліть **нерозібраний** інструмент разом з доказом купівлі до Вашого дилера або до найближчого центру обслуговування SKIL (адреси, а також діаграма обслуговування пристрою, подаються на сайті [www.skil.com](http://www.skil.com))

## ОХОРОНА НАВКОЛИШНЬОЇ СЕРЕДИ

- **Не викидайте електроінструмент, належності та упакову разом зі звичайним сміттям** (тільки для країн ЄС)
  - відповідно до європейської директиви 2012/19/ЄС щодо утилізації старих електричних та електронних приладів, в залежності з місцевим законодавством, електроінструмент, який перебував в експлуатації повинен бути утилізований окремо, безпечно для навколишнього середовища шляхом
  - малюнок ⑫ нагадає вам про це

## ДЕКЛАРАЦІЯ ПРО ВІДПОВІДНІСТЬ СТАНДАРТАМ СЕ

- Ми заявляємо під нашу виключну відповідальність, що описаний в "Технічні дані" продукт відповідає таким нормам або нормативним документам: EN 60335, EN 13683, EN 61000, EN 55014 у відповідності до положень директив 2006/95/EG, 2004/108/EG, 2006/42/EG, 2000/14/EG, 2011/65/EC
- **Технічні документи в:** SKIL Europe BV (PT-SEU/ENG1), 4825 BD Breda, NL

Marijn van der Hoofden  
Operations & Engineering

Olaf Dijkstra  
Approval Manager




SKIL Europe BV, 4825 BD Breda, NL

19.12.2013

CE11

## ШУМ

- Гарантований рівень звукової потужності LWA, який виміряно згідно зі стандартом 2000/14/EG (EN/ISO 3744) нижчий за 113 дБ(А) (процедура оцінки відповідності згідно з Додатком V)  
Уповноважений орган: KEMA, Arnhem, NL  
Ідентифікаційний номер уповноваженого органу: 0344

GR

## Κλαδοτεμαχιστής

0770

### ΕΙΣΑΓΩΓΗ

- Αυτό το εργαλείο δεν προορίζεται για επαγγελματική χρήση
- Αυτό το εργαλείο προορίζεται για την κοπή ινωδών και ξυλωδών φυτικών υπολειμμάτων για κομποστοποίηση
- Βεβαιωθείτε ότι η συσκευασία περιέχει όλα τα εξαρτήματα που απεικονίζονται στο σχέδιο ②
- Όταν κάποια εξαρτήματα λείπουν ή έχουν φθορές, παρακαλούμε επικοινωνήστε με τον αντιπρόσωπό σας
- Διαβάστε προσεκτικά τις οδηγίες πριν από τη χρήση και φυλάξτε τις για μελλοντική αναφορά ③
- Δώστε ιδιαίτερη προσοχή στις οδηγίες ασφαλείας και στις προειδοποιήσεις - η μη τήρηση αυτών των οδηγιών και προειδοποιήσεων θα μπορούσε να προκαλέσει σοβαρές σωματικές βλάβες**

### ΤΕΧΝΙΚΑ ΧΑΡΑΚΤΗΡΙΣΤΙΚΑ ①

- \* Οτρίπος λειτουργίας S6 (P40 = 40%) οαρκτηρίζει μια τομή φόρτου που σχηματίζεται εναλλακτικά από επιβάρυνση 4 min und 6 min λειτουργίας χωρίς φορτίο (στην πράξη επιτρέπεται μόνο η διαρκής λειτουργία)

### ΜΕΡΗ ΤΟΥ ΕΡΓΑΛΕΙΟΥ ②

- A Κλειδί (2)
- B Σάκος συλλογής
- C Εξαγωγή
- D Υποδοχή προωθητή
- E Διακόπτης εκκίνησης/στάσης
- F Πόμολο ασφάλισης
- G Μπουτόν επανεκκίνησης
- H Άνοιγμα εισαγωγής τροφοδοσίας
- J Σχισμές αερισμού
- K Προωθητής
- L Εξάγωνο κλειδί
- M Μεταλλικό έλασμα
- N Κλειδαριά ασφαλείας

### ΑΣΦΑΛΕΙΑ

#### ΕΙΔΙΚΕΣ ΟΔΗΓΙΕΣ ΑΣΦΑΛΕΙΑΣ ΓΙΑ ΤΕΜΑΧΙΣΤΕΣ

#### ΕΠΕΞΗΓΗΣΗ ΤΩΝ ΣΥΜΒΟΛΩΝ ΣΤΟ ΕΡΓΑΛΕΙΟ

- ③ Διαβάστε το εγχειρίδιο οδηγιών πριν από τη χρήση
- ④ Σβήστε να αποσυνδέστε το φιν πριν από τον καθαρισμό / συντήρηση ή εάν η μπαλαντζά είναι χαλασμένη ή κουβαριασμένη

- ⑤ **ΚΙΝΔΥΝΟΣ** Περιστρεφόμενες λεπίδες - φροντίστε να μην πλησιάσετε τα χέρια σας στα ανοίγματα όταν το εργαλείο είναι σε λειτουργία
- ⑥ **Προσέξτε για τον κίνδυνο τραυματισμού λόγω εκτοξευόμενων σκουπιδιών** (φροντίστε οι παριστάμενοι να βρίσκονται σε ασφαλή απόσταση από την περιοχή εργασίας)
- ⑦ Περιμένετε να σταματήσουν τελείως όλα τα κινούμενα μέρη του εργαλείου, προτού τα αγγίξετε
- ⑧ Φοράτε προστατευτικά γάντια
- ⑨ Να φοράτε προστατευτικά γυαλιά και προστατευτικά μέσα ακοής
- ⑩ Μην εκθέτετε το εργαλείο στη βροχή
- ⑪ Διπλή μόνωση (δεν απαιτείται καλώδιο γείωσης)
- ⑫ Μην πετάτε το εργαλείο στον κάδο οικιακών απορριμμάτων
- ⑬ Τα φιν και οι πρίζες που βρίσκονται κοντά στο σημείο εργασίας ή στο ύπαιθρο, θα πρέπει να είναι κλάσης IP X4 κατά BS 5490, για να εξασφαλίζεται επαρκής προστασίας έναντι της διείσδυσης νερού κλπ. και οι εισοδοί των καλωδίων χρειάζονται αποτελεσματική στεγανοποίηση

#### ΓΕΝΙΚΑ

- Το εργαλείο αυτό δεν προορίζεται για χρήση από άτομα (συμπεριλαμβανομένων παιδιών) με μειωμένες φυσικές, αισθητικές ή νοητικές ικανότητες, ή από άτομα χωρίς εμπειρία ή γνώση, εκτός και αν επιβλέπονται ή εάν τους έχουν δοθεί οδηγίες σχετικά με τη χρήση του εργαλείου από άτομα υπεύθυνα για την ασφάλειά τους
- Βεβαιωθείτε ότι τα παιδιά δεν παίζουν με το εργαλείο
- Να εξοικειωθείτε με τα χειριστήρια και τη σωστή χρήση του εργαλείου
- Ποτέ μην αφήνετε να χρησιμοποιείται το εργαλείο από παιδιά ή άτομα που δεν έχουν εξοικειωθεί με τις οδηγίες λειτουργίας του (η επιτρεπόμενη ηλικία του χειριστή μπορεί να προσδιορίζεται και από κατά τόπους κανονισμούς)
- Ποτέ μη χειρίζεστε το εργαλείο πολύ κοντά σε άλλα άτομα και να διακόπτετε τη χρήση του εργαλείου όταν πλησιάζουν άλλα άτομα (ειδικά παιδιά) ή κατοικίδια ζώα
- Ο χρήστης είναι υπεύθυνος για ατυχήματα ή κινδύνους που μπορεί να συμβούν σε άλλα άτομα ή ιδιοκτησίες
- Φροντίστε όλα τα καλύμματα προστασίας και οι εκτροπές να είναι στη θέση τους και σε καλή κατάσταση λειτουργίας
- Πάντα να σβήνετε το εργαλείο, να αφήνετε τη λεπίδα κοπής να σταματά και να αποσυνδέετε το φιν
  - οποτεδήποτε αφήνετε το εργαλείο χωρίς επιτήρηση
  - πριν από τον καθαρισμό των σφηνωμένων υλικών
  - πριν από τον έλεγχο, τον καθαρισμό ή την εργασία με το εργαλείο
- ! πριν από την τοποθέτηση ή την αφαίρεση του σάκου συλλογής**

#### ΗΛΕΚΤΡΙΚΗ ΑΣΦΑΛΕΙΑ

- Βεβαιωθείτε ότι η τάση του παρεχόμενου ρεύματος είναι ίδια με την τάση που υποδεικνύεται στην πινακίδα δεδομένων του εργαλείου
- Ελέγχετε τακτικά το καλώδιο και σε περίπτωση βλάβης, φροντίστε να αντικατασταθούν από εξειδικευμένο άτομο
- Να επιθεωρείτε κατά διαστήματα τόν καλώδιο προέκτασης και να το αντικαταστήσετε εάν έχει ζημιά (το ακατάλληλο καλώδιο προέκτασης κρύβει κινδύνους)

- Κατά το χειρισμό του εργαλείου σε υγρό περιβάλλον, να χρησιμοποιείτε συσκευή προστασίας από διαρροή ρεύματος (RCD) με ρεύμα ενεργοποίησης 30 mA το μέγιστο
- Χρησιμοποιείτε μόνο προέκταση καλωδίου τύπου H05VV-F ή H05RN-F κατάλληλη για υπαίθρια χρήση και εξοπλισμένη με αδιάβροχο φικ και πρίζα σύνδεσης
- Πάντα να σβήνεται το εργαλείο και να αποσυνδέεται το φικ από την τροφοδοσία ρεύματος εάν το καλώδιο τροφοδοσίας ρεύματος ή η μπαλαντέζα είναι κομμένη, φθαρμένη ή κουβαριασμένη (**μην ακουμπάτε το καλώδιο πριν από την αποσύνδεση του φικ**)
- Το καλώδιο ρεύματος που έχει ζημιά, θα πρέπει να αντικαθίσταται μόνο από κέντρο σέρβις της SKIL για την αποφυγή κινδύνου
- Χρησιμοποιείτε ασφαλείς, τελειώς ξετυλιγμένες προεκτάσεις καλωδίου με χωρητικότητα 16 Amps
- Προστατέψτε το καλώδιο (προέκτασης) από θερμότητα, τα λάδια και τα αιχμηρά άκρα
- Μην πατάτε, μην συμπιέζετε και μην τραβάτε το καλώδιο (προέκτασης)
- Να χρησιμοποιείτε μόνο μπαλαντέζες με μέγιστο μήκος 20 μέτρων (1,5 mm<sup>2</sup>) ή 50 μέτρων (2,5 mm<sup>2</sup>)

#### ΑΣΦΑΛΕΙΑ ΠΡΟΣΩΠΩΝ

- Μη χρησιμοποιείτε το εργαλείο ξυπόλητοι ή φορώντας σανδάλια - πάντα να φοράτε υποδήματα βαρέως τύπου και μακριά παντελόνια
- Αποφύγετε να φοράτε φαρδιά ρούχα ή ρούχα από τα οποία κρέμονται π.χ. κρόσια, ή γραβάτες
- Να χειρίζεστε το εργαλείο μόνο σε ανοικτούς χώρους (όχι υπερβολικά κοντά σε τοίχους ή άλλα σταθερά αντικείμενα) και επάνω σε σταθερή και επίπεδη επιφάνεια
- Αποθηκεύστε το εργαλείο σε εσωτερικούς χώρους σε μέρος δροσερό και κλειδωμένο, μακριά από παιδιά

#### ΠΡΙΝ ΑΠΟ ΤΗ ΧΡΗΣΗ

- Βεβαιωθείτε ότι όλες οι βίδες, παξιμαδία, μπουλόνια και άλλα εξαρτήματα σύνδεσης είναι καλά σφιγμένα και ότι όλα τα καλώδια προστασίας και πετάσματα είναι στις θέσεις τους
- Βεβαιωθείτε ότι η εισαγωγή τροφοδοσίας είναι άδεια

#### ΚΑΤΑ ΤΗ ΧΡΗΣΗ

- Φροντίστε το πρόσωπο και το σώμα σας να βρίσκονται μακριά από το άνοιγμα της εισαγωγής τροφοδοσίας
- Μην αφήνετε τα χέρια σας (και γενικά κάθε μέρος του σώματος) ή ρούχα να μπαίνουν μέσα στο άνοιγμα εισαγωγής τροφοδοσίας, το άνοιγμα της εισαγωγής ή κοντά σε οποιοδήποτε κινούμενο εξάρτημα
- Να έχετε την ισορροπία σας και να πατάτε σταθερά σε κάθε περίπτωση, και να μην τεντώνετε
- Ποτέ μη στέκεστε σε επίπεδο υψηλότερο από τη βάση του εργαλείου, κατά την τροφοδοσία υλικού
- Πάντα να βρίσκεστε σε επαρκή απόσταση από τη ζώνη εξόδου, κατά το χειρισμό του εργαλείου
- Κατά την τροφοδοσία υλικού μέσα στο εργαλείο, να προσέχετε πάρα πολύ να μην εισχωρήσουν σ' αυτό κομμάτια μετάλλου, πετραδάκια, μπουκάλια, αλουμιένια κουτιά και άλλα ξένα σώματα
- Εάν ο μηχανισμός κοπής κτυπήσει κάποιο ξένο αντικείμενο ή εάν το εργαλείο αρχίσει να κάνει ασυνήθιστο θόρυβο ή κραδασμούς, σβήστε το αμέσως, αφήστε να σταματήσει το μαχαίρι κοπής, βγάλτε το από την πρίζα και ενεργήστε ως ακολούθως

- επιθεωρήστε για βλάβες
- αντικαταστήστε ή επισκευάστε τυχόν κατεστραμμένα εξαρτήματα
- ελέγξτε για λασκαρισμένα εξαρτήματα και αν υπάρχουν, σφίξτε τα
- Μην αφήνετε να συσσωρεύεται κατεργασμένο υλικό στο σημείο εξαγωγής - έτσι είναι πιθανό η έξοδος υλικού να μη γίνεται σωστά και η συνέπεια να είναι το κλότσημα υλικού από το άνοιγμα τροφοδοσίας
- Εάν βουλώσει το εργαλείο, σβήστε το, αφήστε να σταματήσει το μαχαίρι κοπής και βγάλτε το από την πρίζα, προτού καθαρίσετε τα ξένα αντικείμενα
- Φροντίστε οι γρίλιες εξαερισμού του μοτέρ να είναι καθαρές από σκουπίδια και άλλα συσσωρευμένα υλικά για να αποφευχει ζημιά στο μοτέρ ή ενδεχομένως και πυρκαγιά
- Μην γέρνετε και μη μεταφέρετε το εργαλείο όταν το μοτέρ είναι σε λειτουργία

## ΧΡΗΣΗ

- Οδηγίες συναρμολόγησης <sup>(14)</sup>
  - τοποθετήστε τους τροχούς με τα δύο κλειδιά A που παρέχονται, και συναρμολογήστε το εργαλείο όπως εικονίζεται
  - τοποθετήστε το σάκο συλλογής B κάτω από την εξαγωγή C
  - τοποθετήστε την υποδοχή προωθητήρα D
- Εκκίνηση/Σταση <sup>(15)</sup>
  - ξεκινάτε/σταματάτε το εργαλείο πιέζοντας το διακόπτη E στη θέση "I"/"O"
- ! **μετά το σβήσιμο του εργαλείου, η λεπίδα θα συνεχίσει να περιστρέφεται για μερικά δευτερόλεπτα**
  - αφήστε να σταματήσει το μαχαίρι την περιστροφή του πριν από το εκ νέου άναμμα
- ! **το εργαλείο δε θα ξεκινήσει παρά μόνο αν σφίγγει τελειώς F το πόμολο ασφάλισης**
- ! **μη αναβοσβήνετε απότομα το εργαλείο**
- Επανεκκινήστε την προστασία
  - μετά από διακοπή του ρεύματος το εργαλείο δεν ξαναξεκινά μόνο του
  - χρησιμοποιήστε το διακόπτη E <sup>(15)</sup> για να γίνει επανεκκίνηση του εργαλείου
- Προστασία από υπερφόρτωση
 

Η υπερφόρτωση (π.χ. το μπλοκάρισμα της κοπτικής λεπίδας) μπορεί να προκαλέσει κράτηση του εργαλείου

  - περιμένετε ένα μικρό χρονικό διάστημα προτού ανάψετε και πάλι το εργαλείο
  - επανεκκινήστε το εργαλείο κατ' αρχήν πατώντας το κουμπι G <sup>(16)</sup> και μετά το διακόπτη E <sup>(15)</sup>
- Τεμαχισμός <sup>(16)</sup>
  - τροφοδοτήστε το προς τεμαχισμό υλικό διαμέσου του ανοίγματος εισαγωγής τροφοδοσίας H
  - να εισάγετε τόση ποσότητα υλικού ώστε να μη φρακάρει ή εισαγωγή τροφοδοσίας
- ! **τα μακρύτερα κομμάτια μπορεί να τιναχτούν με δύναμη κατά το κόψιμό τους**
- ! **μικρά κομμάτια τεμαχισμένου υλικού μπορεί να εκτοξευτούν από το άνοιγμα εισαγωγής τροφοδοσίας**
- ! **να φοράτε προστατευτικά γυαλιά, γυαλιά ασφαλείας και γάντια προστασίας κατά τη χρήση του εργαλείου**

- μην εισάγετε στον κλαδοτεμαχιστή μαλακά υπολείμματα όπως υπολείμματα τροφών
- φροντίστε το τεμαχισμένο υλικό να μπορεί να πέφτει ελεύθερα από την έξοδο C
- φροντίστε οι θυρίδες εξεαρισμού J <sup>2</sup> να μην καλύπτονται από το σάκο συλλογής ή το τεμαχισμένο υλικό
- αποφύγετε την παρεμπόδιση της εξαγωγής C με τεμαχισμένο υλικό το οποίο θα μπορούσε να προκαλέσει κλότσημα υλικού από το άνοιγμα εισαγωγής τροφοδοσίας H
- Αφαίρεση σφηνωμένου υλικού <sup>17</sup>
  - ! **απενεργοποιήστε το εργαλείο και βγάλτε το φικ από την πρίζα**
  - λύστε το πόμολο ασφάλισης F και ανοίξτε το εργαλείο όπως εικονίζεται
  - καθαρίστε το χώρο του μαχαιριού (αφαιρέστε τα συμπυκνωμένα υπολείμματα με ξύλινο ή πλαστικό βούρτσισμα)
  - επίσης καθαρίστε τυχόν C υπολείμματα από την εξαγωγή
  - κλείστε το εργαλείο και σφίγγετε καλά το F πόμολο ασφάλισης
- Αναστροφή κίνησης/αλλαγή μαχαιριού κοπής <sup>18</sup>
  - ! **απενεργοποιήστε το εργαλείο και βγάλτε το φικ από την πρίζα**
  - το μαχαιρί κοπής έχει κοπτική ακμή και από τις δύο μεριές - εάν λοιπόν στομώσει η μία πλευρά, μπορείτε να χρησιμοποιήσετε την άλλη
  - αντικαταστήστε το μαχαιρί κοπής όταν στομώσουν και οι δύο πλευρές (κωδικός ανταλλακτικού SKIL 2610Z02553, με ένδειξη YAT 8231-545201)
  - λύστε το πόμολο ασφάλισης F και ανοίξτε το εργαλείο όπως εικονίζεται
  - λύστε και τα δύο μπουλόνια του μαχαιριού με το εξάγωνο κλειδί L χρησιμοποιώντας μαζί το μεταλλικό έλασμα M σαν στήριγμα
  - αναστρέψτε και τοποθετήστε το μαχαιρί κοπής, όπως εικονίζεται
  - σφίγγετε και τα δύο μπουλόνια του μαχαιριού με το εξάγωνο κλειδί L χρησιμοποιώντας μαζί το μεταλλικό έλασμα M σαν στήριγμα
  - κλείστε το εργαλείο και σφίγγετε καλά το F πόμολο ασφάλισης

## ΟΔΗΓΙΕΣ ΕΦΑΡΜΟΓΗΣ

- Για άριστα αποτελέσματα, να τεμαχίζετε τα νωπά κλαδιά σύντομα μετά το κόψιμό τους
- Χρησιμοποιήστε τον προωθητήρα K για την τροφοδοσία μαλακού υλικού <sup>19</sup>
- Να τεμαχίζετε τα μαλακά υπολείμματα κήπου σε μικρότερα φορτία, ιδιαίτερα όταν είναι βρεγμένα
- Μπορείτε να αποφύγετε τα φραξίματα εάν κάνετε μικρές διακοπές κατά τον τεμαχισμό κλαδιών

## ΣΥΝΤΗΡΗΣΗ / ΣΕΡΒΙΣ

- Αυτό το εργαλείο δεν προορίζεται για επαγγελματική χρήση
- Να συντηρείτε με προσοχή το εργαλείο και να το διατηρείτε καθαρό
  - να φροντίζετε πάντα τα ανοίγματα εξεαρισμού να παραμένουν καθαρά από σκουπίδια

### ! αφαιρέστε την πρίζα πριν το καθαρίσμα

- Να ελέγχετε τακτικά για ατέλειες όπως λασκαρισμένο, μετατοπισμένο ή φθαρμένο μαχαιρί, λασκαρισμένα συνδετήρια, και φθαρμένα ή κατεστραμμένα εξαρτήματα
- Φροντίστε για την αντικατάσταση των φαρμαμένων ή χαλασμένων εξαρτημάτων για λόγους ασφαλείας
- Αποφύγετε το λύγισμα της κλειδαριάς ασφαλείας N <sup>20</sup> διότι ενδέχεται να προκληθεί δυσλειτουργία του εργαλείου
- Πάντα να σβήνετε το εργαλείο, να αφήνετε να σταματά το μαχαιρί κοπής, να απουσυνδέτε το φικ και να αφήνετε το εργαλείο να κρυώσει πριν από την επιθεώρηση, ρύθμιση, σέρβις και / ή αποθήκευση του εργαλείου
- Να αποθηκεύετε το εργαλείο σε κλειστό και στεγνό χώρο
- Κατά το σέρβις του κλαδοτεμαχιστή, να έχετε υπόψη ότι, έστω και αν το μοτέρ δεν ξεκινά λόγω επενέργειας του κλειδώματος του καλύμματος προστασίας, ο κλαδοτεμαχιστής και τότε μπορεί να κινηθεί με το χέρι
- Αν παρ' όλες τις επιμελημένες μεθόδους κατασκευής και ελέγχου το εργαλείο σταματήσει κάποτε να λειτουργεί, τότε η επισκευή του πρέπει να ανατεθεί σ' ένα εξουσιοδοτημένο συνεργείο για ηλεκτρικά εργαλεία της SKIL
  - στείλτε το εργαλείο **χωρίς να το απουσναρμολογήσετε** μαζί με την απόδειξη αγοράς στο κατάστημα από το οποίο το αγοράσατε ή στον πλησιέστερο σταθμό τεχνικής εξυπηρέτησης της SKIL (θα βρείτε τις διευθύνσεις και το διάγραμμα συντήρησης του εργαλείου στην ιστοσελίδα [www.skil.com](http://www.skil.com))

## ΠΕΡΙΒΑΛΛΟΝ

- **Μην πετάτε τα ηλεκτρικά εργαλεία, εξαρτήματα και συσκευασία στον κάδο οικιακών απορριμμάτων** (μόνο για τις χώρες της ΕΕ)
  - σύμφωνα με την ευρωπαϊκή οδηγία 2012/19/EK περί ηλεκτρικών και ηλεκτρονικών συσκευών και την ενσωμάτωσή της στο εθνικό δίκαιο, τα ηλεκτρικά εργαλεία πρέπει να συλλέγονται ξεχωριστά και να επιστρέφονται για ανακύκλωση με τρόπο φιλικό προς το περιβάλλον
  - το σύμβολο <sup>12</sup> θα σας το θυμίσει αυτό όταν έλθει η ώρα να πετάξετε τις

## ΔΗΛΩΣΗ ΣΥΜΜΟΡΦΩΣΗΣ CE

- Δηλώνουμε υπευθύνως ότι το προϊόν που περιγράφεται στα "Τεχνικά χαρακτηριστικά" εκπληρώνει τους εξής κανονισμούς ή κατασκευαστικές συστάσεις: EN 60335, EN 13683, EN 61000, EN 55014 σύμφωνα με τις διατάξεις των οδηγιών 2006/95/EK, 2004/108/EK, 2006/42/EK, 2000/14/EK, 2011/65/EE

- **Τεχνικός φάκελος από:** SKIL Europe BV (PT-SEU/ENG1), 4825 BD Breda, NL

Marijn van der Hoofden  
Operations & Engineering

Olaf Dijkgraaf  
Approval Manager

SKIL Europe BV, 4825 BD Breda, NL

19.12.2013

CE11

## ΟΡΥΘΟ

- Μέτρηση σύμφωνα με το 2000/14/EC (EN/ISO 3744) η εγγυημένη στάθμη ηχητικής ισχύος LWA είναι χαμηλότερη των 113 dB(A) (διαδικασία αξιολόγησης της Δήλωσης συμβατότητας σύμφωνα με το παράρτημα V) Αρμόδιος φορέας : KEMA, Arnhem, NL Αρ. πρωτοκόλλου αρμόδιου φορέα : 0344

RO

**Μάρυνθιτορ**

**0770**

## INTRODUCERE

- Această sculă nu este destinată utilizării profesionale
- Acest instrument este destinat tăierii deșeurilor de grădină fibroase și lemnoase pentru transformare în îngrășământ
- Verificați dacă ambalajul conține toate componentele așa cum se ilustrează în desenul ②
- În cazul în care lipsesc piese sau acestea sunt deteriorate, contactați distribuitorul
- Citiți cu atenție acest manual de instrucțiuni înainte de utilizare și păstrați-l pentru consultare ulterioară ③
- **Acordați o atenție specială instrucțiunilor de securitate și avertizare; neglijarea acestora poate duce la vătămări grave**

## DATE TEHNICE ①

- \*) Regimul de funcționare S6 (P40 = 40%) definește un profil de încărcare care presupune 4 min. de funcționare sub sarcină și 6 min. de mers în gol (pentru utilizarea practică se admite regimul de funcționare continuă)

## ELEMENTELE SCULEI ②

- A Cheie (2)
- B Sac de colectare
- C Ieșire
- D Suport dispozitiv de compactare
- E Întrerupător pornit/oprit
- F Buton de siguranță
- G Buton de repornire
- H Deschidere de alimentare
- J Fantele de ventilație
- K Dispozitiv de compactare
- L Cheia hexagonală
- M Placă metalică
- N Blocaj de siguranță

## SIGURANȚA

### INSTRUCȚIUNI DE SIGURANȚĂ SPECIFICE PENTRU MĂRUNȚITOARE

#### EXPLICAȚIA SIMBOLURILOR DE PE INSTRUMENT

- ③ **Citiți manual de instrucțiuni înainte de utilizare**
- ④ **Opriti instrumentul și decuplați ștecherul înainte de curățare/întreținere sau dacă este deteriorat sau incurcat cablul (prelungitor)**
- ⑤ **PERICOL** Lame rotative; țineți mâinile la distanță de deschideri când instrumentul este în funcțiune
- ⑥ **Acordați atenție pericolului de rănire din cauza reziduurilor proiectate** (persoanele din apropiere trebuie să stea la o distanță sigură de zona de lucru)
- ⑦ **Așteptați până când toate componentele mobile ale instrumentului s-au oprit complet înainte de a le atinge**
- ⑧ **Purtați mănuși de protecție**
- ⑨ **Purtați ochelari de protecție și căști antifonice**
- ⑩ **Nu expuneți instrumentul la ploaie**
- ⑪ **Izolajie dublă (nu este necesar fir de împământare)**
- ⑫ **Nu aruncați instrumentul direct la pubelele de gunoi**
- ⑬ **Mufe și prizele aflate lângă locul de lucru sau în aer liber trebuie să fie de clasa IP X4 sau BS 5490 pentru a asigura protecție adecvată împotriva pătrunderii apei etc., iar intrările de cablu necesită izolare eficientă**

#### GENERALITĂȚI

- Această sculă nu este destinată utilizării de către persoane (inclusiv copii) cu capacități reduse fizice, senzoriale sau mentale, sau fără experiență și cunoștințe, cu excepția cazului în care sunt supravegheați sau instruiți în privința folosirii sculei de către o persoană responsabilă pentru siguranța lor
- Asigurați-vă că copii nu se joacă cu scula
- Familiarizați-vă cu comenzile și cu utilizarea corespunzătoare a instrumentului
- Nu lăsați niciodată copiii sau persoanele care nu cunosc instrucțiunile de utilizare să folosească scula (reglementările locale pot restricționa vârsta operatorului)
- Nu utilizați niciodată instrumentul în imediata apropiere a persoanelor; opriti utilizarea unelei când se află în apropiere persoane (în special copii) sau animale de companie
- Utilizatorul este responsabil de accidente sau pericolele în care sunt puse alte persoane sau bunurile acestora
- Mențineți toate dispozitivele de protecție la locurile corespunzătoare și în stare bună de funcționare
- Opriti întotdeauna instrumentul, așteptați să se oprească lama de tăiere și scoateți-l din priză
  - oricând lăsați instrumentul nesupravegheat
  - înainte de a curăța materialele prinse în instrument
  - înainte de a verifica instrumentul, de a-l curăța sau de a lucra la acesta

#### ! înainte de a monta sau demonta sacul colector SECURITATE ELECTRICĂ

- Verificați întotdeauna dacă tensiunea de alimentare este aceeași cu tensiunea indicată pe plăcuța de identificare a sculei
- Verificați periodic cordonul și dacă este deteriorat cereți unei persoane calificate să le înlocuiască
- Verificați periodic cablul prelungitor și înlocuiți-l dacă este deteriorat (**cordoanele de racord necorespunzătoare pot fi periculoase**)



- Atunci când folosiți instrumentul în medii cu umiditate crescută, utilizați un dispozitiv de curent rezidual (RCD) cu un curent de declanșare de maxim 30 mA
- Folosiți doar un cablu prelungitor de tipul H05VV-F sau H05RN-F destinat utilizării în aer liber și echipat cu un ștecher și o priză protejate contra stropirii
- Opriti întotdeauna instrumentul și decuplați ștecherul de la sursa de alimentare în cazul în care cablul de alimentare sau cablul prelungitor este tăiat, deteriorat sau încărcat (**nu atingeți cablul înainte de a decupla ștecherul**)
- Un cablu de alimentare deteriorat se va înlocui numai la un centru de service SKIL pentru a evita pericolele
- Folosiți cabluri de prelungire derulate complet, protejate/izolate, cu o capacitate de 16 amperi
- Protejați cablul prelungitor de căldură, ulei și contactul cu muchii ascuțite
- Nu călcați, nu striviți și nu trageți de cablul prelungitor
- Utilizați numai cabluri prelungitoare cu o lungime maximă de 20 de metri (1,5 mm<sup>2</sup>) sau 50 de metri (2,5 mm<sup>2</sup>)

### SECURITATEA PERSOANELOR

- Nu utilizați instrumentul dacă sunteți desculț(ă) sau purtați sandale; purtați întotdeauna încălțăminte solidă și pantaloni lungi
- Evitați să purtați îmbrăcăminte largă care nu se potrivește pe corp, cu șnururi sau șireturi care atarnă
- Utilizați instrumentul numai în spații deschise (nu în apropierea unui zid sau a altor obiecte masive) și pe o suprafață solidă și plană
- Depozitați scula în interior, într-un loc uscat și încluiat, la care copiii să nu aibă acces

### ÎNAINTEA UTILIZĂRII

- Verificați dacă toate șuruburile, piulițele, bolțurile și alte dispozitive de fixare sunt montate corespunzător și dacă dispozitivele de protecție și ecranele sunt la locurile corespunzătoare
- Asigurați-vă că deschiderea de alimentare este liberă

### ÎN TIMPUL FUNCȚIONĂRII

- Țineți fața și corpul la distanță de deschiderea de alimentare
- Nu permiteți ca mâinile (sau orice altă parte a corpului) sau îmbrăcăminte să ajungă în interiorul deschiderii de alimentare, deschiderii de ieșire sau în apropierea oricărei piese mobile
- Păstrați-vă permanent un echilibru și o susținere corespunzătoare; nu încercați să ajungeți prea departe
- Nu stați niciodată la un nivel mai înalt decât baza instrumentului la alimentarea cu materiale
- Mențineți întotdeauna o distanță corespunzătoare de zona de ieșire când utilizați instrumentul
- La alimentarea instrumentului cu materiale accordați atenție sporită să nu pătrundă bucăți de metal, pietre, sticle, conserve sau alte corpuri străine
- Dacă mecanismul de tăiere se lovește de orice corp străin sau dacă instrumentul începe să producă zgomote sau vibrații neobișnuite, opriți-l imediat, așteptați să se oprească lama de tăiere, scoateți-l din priză și urmați pașii de mai jos
  - inspectați dacă nu sunt deteriorați
  - înlocuiți sau reparați orice piese deteriorate
  - verificați și strângeți orice piese slăbite

- Nu lăsați materialele procesate să se acumuleze în zona de ieșire; acest lucru poate împiedica evacuarea corespunzătoare, ceea ce poate duce la returnul materialelor prin deschiderea de alimentare
- Dacă instrumentul se înfundă, opriți-l, așteptați să se oprească lama de tăiere și scoateți-l din priză înainte de a îndepărta reziduurile
- Mențineți orificiile de ventilație pentru răcirea motorului fără reziduuri și alte acumulări pentru a preveni deteriorarea motorului sau posibilitatea de incendiu
- Nu înclinați și nu transportați instrumentul când motorul este în funcțiune

## UTILIZAREA

- Instrucțiuni de asamblare <sup>(14)</sup>
  - montați roțile cu cele două chei A furnizate și asamblați instrumentul cum este ilustrat
  - poziționați sacul colector B sub ieșirea C
  - montați suportul dispozitivului de compactare D
- Pornit/oprit <sup>(15)</sup>
  - conectați/deconectați aparatul, prin împingerea comutatorului E în poziția "I"/"O"

**! după oprirea instrumentului, lama continuă să se rotească timp de câteva secunde**

  - așteptați ca lama de tăiere să se oprească din rotire înainte de a porni din nou instrumentul

**! instrumentul nu pornește decât butonul de siguranță F este strâns complet**

  - **! nu porniți și nu opriți rapid instrumentul**
- Protecția la repornire
  - după o întrerupere a alimentării instrumentul nu repornește singur
  - utilizați comutatorul E <sup>(15)</sup> pentru a reporni instrumentul
- Protecție la suprasarcină
 

Supraîncărcarea (de ex. blocarea lamei de tăiere) poate duce la oprirea instrumentului

  - așteptați puțin înainte de a porni din nou instrumentul
  - reporniți instrumentul apăsând mai întâi butonul G <sup>(15)</sup> și apoi comutatorul E <sup>(15)</sup>
- Mărunțirea <sup>(16)</sup>
  - alimentați materialele de tocat prin deschiderea de alimentare H
  - introduceți numai cantități de materiale care să nu blocheze deschiderea de alimentare

**! materialele mai lungi pot sări în timpul tăierii**

**! bucățile mai mici de materiale mărunțite pot fi evacuate prin deschiderea de alimentare**

**! purtați ochelari de protecție, căști antifonice și mănuși de protecție când utilizați instrumentul**

  - nu alimentați mărunțitorul cu reziduuri moi, cum ar fi deșeuri alimentare
  - asigurați-vă că materialele tocate pot cădea liber de la ieșirea C
  - asigurați-vă că fantele de ventilație J <sup>(2)</sup> nu sunt acoperite de sacul colector sau de materialele tocate
  - evitați blocarea ieșirii C cu materiale tocate, deoarece acest lucru poate duce la returnul materialelor prin deschiderea de alimentare H
- Îndepărtarea blocajelor <sup>(17)</sup>

**! opriți scula și scoateți-l din priză**

  - slăbiți butonul de siguranță F și deschideți instrumentul cum este ilustrat

- curățați zona lamei (îndepărtați reziduurile compactate cu un instrument din lemn sau plastic)
- de asemenea, curățați ieșirea C de orice reziduuri
- închideți instrumentul și strângeți bine butonul de siguranță F
- Inversarea/schimbarea lamei de tăiere ⑱
- ! **opriți scula și scoateți-I din priză**
- lama de tăiere are câte o muchie de tăiere pe ambele părți; în felul acesta, dacă una din părți se tocește, poate fi utilizată cealaltă parte
- înlocuiți lama de tăiere când s-au tocit ambele părți (cod de componentă de schimb SKIL 2610Z02553, marcaj YAT 8231-545201)
- slăbiți butonul de siguranță F și deschideți instrumentul cum este ilustrat
- slăbiți ambele șuruburi ale lamei cu o cheie hexagonală L și utilizați placa metalică M pentru susținere
- inversați și montați lama de tăiere cum este ilustrat
- strângeți ambele șuruburi ale lamei cu o cheie hexagonală L și utilizați placa metalică M pentru susținere
- închideți instrumentul și strângeți bine butonul de siguranță F

## SFATURI PENTRU UTILIZARE

- Pentru cele mai bune rezultate, mărunțiți ramuri proaspete la scurt timp după ce au fost tăiate
- Folosiți dispozitivul de compactare K pentru a alimenta materiale moi ⑲
- Mărunțiți deșeurile de grădină moi în cantități mai mici, în special când sunt ude
- Blocajele pot fi evitate mărunțind ramurile intermitent

## ÎNTREȚINERE / SERVICE

- Această sculă nu este destinată utilizării profesionale
- Întrețineți instrumentul cu grijă și mențineți-l curat
  - asigurați-vă întotdeauna că nu sunt prinse reziduuri în orificiile de ventilare
- ! **deconectați de la priză înainte de a curăța**
- Verificați periodic dacă nu au apărut defecte, cum ar fi slăbirea, dislocarea sau deteriorarea lamei, slăbirea dispozitivelor de fixare și uzura sau deteriorarea componentelor
- Solicitați înlocuirea pieselor uzate sau deteriorate din motive de siguranță
- Evitați îndoirea blocajului de siguranță N ⑳ care poate produce defectarea instrumentului
- Opriți întotdeauna instrumentul, așteptați să se oprească lama de tăiere, scoateți-I din priză și lăsați instrumentul să se răcească înainte de a inspecta, regla, întreține și/ sau depozita instrumentul
- Depozitați instrumentul în interior într-un loc uscat
- Când faceți service la unitatea de mărunțire luați în calcul faptul că, deși motorul nu pornește datorită funcției de blocare de siguranță a dispozitivului de protecție, unitatea de mărunțire tot poate fi pusă în mișcare manual
- Dacă în ciuda procedurilor de fabricație și control riguroase scula are totuși o pană, repararea acesteia se va face numai la un atelier de asistență service autorizat pentru scule electrice SKIL

- trimiteți scula **în totalitatea lui** cu bonul de cumpărare la distribuitorul sau la centrul de service SKIL cel mai apropiat (adrese și diagrame de service se găsesc la [www.skil.com](http://www.skil.com))

## MEDIUL

- **Nu aruncați sculele electrice, accesoriile sau ambalajele direct la pubelele de gunoi** (numai pentru țările din Comunitatea Europeană)
- Directiva Europeană 2012/19/EC face referire la modul de aruncare a echipamentelor electrice și electronice și modul de aplicare a normelor în conformitate cu legislația națională; sculele electrice în momentul în care au atins un grad avansat de uzură și trebuie aruncate, ele trebuie colectate separat și reciclate într-un mod ce respectă normele de protecție a mediului inconjurător
- simbolul ⑫ vă va reaminti acest lucru

## DECLARAȚIE DE CONFORMITATE CE

- Declaram pe proprie răspundere că produsul descris la paragraful "Date tehnice" este în conformitate cu următoarele standarde și documente normative: EN 60335, EN 13683, EN 61000, EN 55014 conform prevederilor directivelor 2006/95/CE, 2004/108/CE, 2006/42/CE, 2000/14/CE, 2011/65/UE
- **Documentație tehnică la:** SKIL Europe BV (PT-SEU/ENG1), 4825 BD Breda, NL

Marijn van der Hoofden      Olaf Dijkgraaf  
Operations & Engineering      Approval Manager




SKIL Europe BV, 4825 BD Breda, NL

19.12.2013

CE11

## ZGOMOT

- Măsurat în conformitate cu 2000/14/CE (EN/ISO 3744) nivelul garantat de putere a sunetului (LWA) este mai mic de 113 dB(A) (procedeu de evaluare al conformității potrivit anexei V)
- Autoritatea competentă: KEMA, Arnhem, NL
- Numărul de identificare al autorității competente: 0344

BG

Клонотрошачка

0770

## УВОД

- Този инструмент не е предназначен за професионална употреба
- Този инструмент е предназначен за раздробяване на влакнести и дървесни отпадъци от домашни градини до размери, подходящи за компостиране
- Проверете дали в опаковката се намират всички части, както е показано на чертежа ②

- Когато има липсващи или повредени части, моля, свържете се с Вашия дилър
- Прочетете внимателно това ръководство преди употреба и го запазете за справки в бъдеще ③
- **Обърнете специално внимание на инструкциите за безопасност и предупрежденията; неспазването им може да доведе до сериозно увреждане**

## ТЕХНИЧЕСКИ ДАННИ ①

- \* Продължителност на включване S6 (P40 = 40%) означава, че работният цикъл е 4 минути работа и 6 минути работа на празен ход (при работа в реални условия е допустимо непрекъснато натоварване)

## ЕЛЕМЕНТИ НА ИНСТРУМЕНТА ②

- A Гаечен ключ (2)
- B Торба за събиране
- C Отвор за изхвърляне
- D Държач на пластината за подаване
- E Прекъсвач за включване/изключване
- F Осигурителна ръкохватка
- G Бутон за повторно включване
- H Отвор за подаване на материал
- J Вентилационните отвори
- K Пластина за подаване
- L Шестостенен ключ
- M Метална плоча
- N Обезопасителна блокировка

## БЕЗОПАСНОСТ

### СПЕЦИФИЧНИ ИНСТРУКЦИИ ЗА БЕЗОПАСНОСТ ПРИ РАБОТА С КЛОНОТРОШАЧКИ

#### ОБЯСНЕНИЕ НА СИМВОЛИТЕ ПО ИНСТРУМЕНТА

- ③ **Преди употреба прочетете ръководството с указания**
- ④ **Изключете от бутона и от контакта преди почистване/поддръжка или ако кабелът (удължителят) е повреден или заплетен**
- ⑤ **ОПАСНОСТ** Въртящи се ножове; не поставяйте ръцете си в отворите, докато електроинструментът работи
- ⑥ **Внимавайте за опасността от нанасяване от летящи отпадъци** (държте околните на безопасно разстояние от работната площ)
- ⑦ Преди да докосвате въртящите се части на електроинструмента, изчакайте движението им да спре напълно
- ⑧ Носете защитни ръкавици
- ⑨ Носете защитни очила и тапи за уши
- ⑩ Не излагайте инструмента на дъжд
- ⑪ Двойна изолация (не се изисква кабел за заземяване)
- ⑫ Не изхвърляйте инструмента заедно с битови отпадъци
- ⑬ Намиращите се в близост до работното място или градината щепсели и контакти трябва да са от клас IP X4 на BS 5490, за да се осигури подходяща защита срещу проникване на вода и т.н., и входовете на кабелите се нуждаят от надеждно уплътняване

## ОБЩИ

- Този инструмент не е предназначен за употреба от страна на лица (включително деца) с намалена физически, сетивни или умствени способности, или такива, които нямат нужните опит и знания, освен ако те не са под компетентно ръководство, или ако не са били съответно инструктирани по отношение употребата на инструмента от страна на лицето - отговарящо за тяхната безопасност
  - Не позволявайте деца да играят с инструмента
  - Запознайте се с управлението и правилното ползване на инструмента
  - Никога не позволявайте на деца или възрастни, които не са запознати с ръководството за експлоатация, да използват инструмента (местните разпоредби може да налагат ограничение върху възрастта на оператора)
  - Никога не работете с инструмента, когато се намирате в непосредствена близост с хора; спрете използването на инструмента, докато наоколо има хора (особено деца) или домашни любимци
  - Потребителят носи отговорност за злополуки и вреди, причинени на други хора или на тяхна собственост
  - Работете винаги с монтирани и изправни предпазни съоръжения и направляващи прегради
  - Винаги изключвайте електроинструмента, изчаквайте режещия нож да спре и изваждайте щепсела от контакта
    - когато оставяте инструмента без надзор
    - преди да почиствате заседнали материали
    - преди да проверявате, почиствате или работите по инструмента
  - ! **Преди поставяне или сваляне на торбата за събиране на отпадъците**
- ### БЕЗОПАСНОСТ ПРИ РАБОТА С ЕЛЕКТРИЧЕСКИ ТОН
- Преди включване на инструмента в контакта се уверете, че мрежовото напрежение отговаря на напрежението, обозначено на фирмената табелка на инструмента
  - Периодично проверявайте връзките на кабела и в случай, че са повредени, се обърнете към квалифициран специалист за подмяна
  - Периодично проверявайте удължителя и го подменете, ако е повреден (**неподходящите удължители може да са опасни**)
  - Когато ползвате инструмента на влажно място, ползвайте устройство за остатъчен ток (RCD) с ток на задействане 30 mA максимум
  - Използвайте само удължители от тип H05VV-F или H05RN-F, предназначени за употреба на открито и снабдени с водоустойчиви щепсели и контакти
  - Изключете инструмента и извадете щепсела от контакта, ако захранващият кабел или удължителят бъде срязан, повреден или заплетен (**не пипайте кабела преди да извадите щепсела от контакта**)
  - Преведеният захранващ кабел трябва да се смени в само сервиза на SKIL, за да се избегне рискът
  - Използвайте напълно развити и обезопасени разклонители с капацитет 16 A
  - Пазете кабела (удължителя) от горещи предмети, масло и остри ръбове

- Не настъпвайте, не премазвайте и не дърпайте кабела (удължителя)
- Ползвайте само удължители с дължина до 20 метра (1,5 mm<sup>2</sup>) или до 50 метра (2,5 mm<sup>2</sup>)

### БЕЗОПАСЕН НАЧИН НА РАБОТА

- Не работете с косачката боси или с отворени сандали; винаги носете здрави обувки и дълги панталони
- Не работете с широки дрехи, висящи украшения или вратовръзки
- По време на работа поставяйте електроинструмента на равна и стабилна основа, с достатъчно място около него (не го поставяйте в близост до стена или други масивни предмети)
- Съхранявайте инструмента **на закрито** в сухи и сигурни помещения, недостъпни за деца

### ПРЕДИ УПОТРЕБА

- Проверете дали всички винтове, гайки, болтове и други крепежни елементи са монтирани здраво и дали предпазните съоръжения и направляващите прегради са на местата си
- Уверете се, че фунията за подаване е празна

### ПРИ УПОТРЕБА

- Дръжте лицето и ръцете си на безопасно място от входящия отвор
- Внимавайте ръцете (или други части от тялото) или дрехите Ви да не попадат в близост до фунията за подаване, отвора за пълнене или до други движещи се елементи на електроинструмента
- Винаги по време на работа заемайте стабилно положение на тялото; не се навеждайте много напред
- По време на пълнене не стойте на ниво, по-високо от основата на машината
- Когато работите с електроинструмента, се дръжте на разстояние от зоната на изхвърляне
- Когато подавате на електроинструмента материал за рязане, бъдете особено внимателни в него да не попаднат парчета от метал, камъни, бутилки, кутии или други външни предмети
- Ако режещият нож попадне на някакво външно тяло или ако електроинструментът започне да издава необичайни звуци или да вибрира, го изключете незабавно, изчакайте режещия нож да спре, изключете щепсела от контакта и изпъннете следните стъпки
  - огледайте повредата
  - подменете или ремонтирайте всички повредени части
  - проверете има ли незатегнати детайли и при необходимост ги затегнете
- Следете в зоната за изхвърляне да не се събира обработен материал; това препяства работата на машината и може да доведе до изхвърляне на материала обратно през отвора на фунията
- Ако електроинструментът се запуши, изключете го, изчакайте ножовете да спрат и изключете щепсела от контакта преди почистването на задръстилите го клони
- За да предотвратите повреда на електродвигателя или възникването на пожар, поддържайте охлаждащите вентилационни отвори чисти от остатъци от нарязания материал и други замърсявания
- Не наклоняйте и не местете електроинструмента, докато електродвигателят работи

## УПОТРЕБА

- Инструкции за сглобяване <sup>(14)</sup>
  - монтирайте колелата с доставените два гаечни ключа А и сглобете електроинструмента, както е показано на илюстрациите
  - поставете торбата за събиране на отпадъците В под отвора за изхвърляне С
  - монтирайте държача на пластината за подаване D
- Включване/изключване <sup>(15)</sup>
  - инструмента включете/изключете чрез превключване на ключа Е в позиции "I"/"O"
  - ! **след изключване на инструмента режещият нож продължава да се върти няколко секунди**
  - изчакайте режещият нож да спре да се върти, преди отново да включите електроинструмента
  - ! **електроинструментът се включва само когато осигурителната ръкохватка F е завита докрай**
  - ! **не включвайте и изключвайте бързо тримера**
- Защита срещу повторно включване
  - след прекъсване на електрозахранването електроинструментът няма автоматично да се включи отново
  - използвайте двупозиционния прекъсвач Е <sup>(15)</sup>, за да включите отново електроинструмента
- Защита срещу претоварване
  - Претоварването (напр. блокиране на режещия нож) може да доведе до пълно спиране на електроинструмента
  - изчакайте малко, преди да включите отново електроинструмента
  - включете отново електроинструмента, като най-напред натиснете бутона G <sup>(15)</sup> и след това ключа Е <sup>(15)</sup>
- Раздробяване <sup>(16)</sup>
  - подайте материала, който трябва да бъде раздробен, през отвора за подаване H
  - подавайте винаги толкова материал, че фунията за подаване да не се запушва
  - ! **по-дълги парчета материал могат при рязане да отскочат рязко навън**
  - ! **малки парченца раздробен материал могат да бъдат изхвърлени от отвора на фунията за подаване**
  - ! **работете винаги със защитни очила, антифони и предпазни ръкавици**
  - не раздробявайте меки отпадъци без твърда консистенция, напр. хранителни отпадъци
  - уверете се, че раздробеният материал може да излиза свободно през отвора за изхвърляне С
  - уверете се, че вентилационните отвори J <sup>(2)</sup> не се закриват от торбата за събиране на отпадъци или от раздробения материал
  - избягвайте запушването с раздробен материал на отвора за изхвърляне С, тъй като това може да предизвика връщане на парчета материал на фунията за подаване H
- Освобождаване след блокиране <sup>(17)</sup>
  - ! **изключете инструмента и извадете захранващия кабел**
  - развийте осигурителната ръкохватка F и отворете електроинструмента, както е показано на илюстрацията

- почистете пространството около режещия нож (отстранете полепналите сбити отпадъци с подходящ дървен или пластмасов инструмент)
- също така почистете отвора за изхвърляне С от полелнаги отпадъци
- затворете електроинструмента и затегнете здраво осигурителната ръкохватка F
- Обръщане/смяна на режещия нож 18
  - ! **изключете инструмента и извадете захранващия кабел**
  - режещият нож е с режещ ръб от двете страни; така че, ако едната страна се затъпи, може да се използва другата страна
  - подменете режещия нож, когато и двете страни са затъпени (номер на резервната част на SKIL 2610Z02553, с обозначение YAT 8231-545201)
  - развийте осигурителната ръкохватка F и отворете електроинструмента, както е показано на илюстрацията
  - развийте двата болта на ножа с шестстенния ключ L, като използвате металната плоча M за опора
  - обърнете и монтирайте режещия нож, както е показано на илюстрацията
  - затегнете двата болта на ножа с шестстенния ключ L, като използвате металната плоча M за опора
  - затворете електроинструмента и затегнете здраво осигурителната ръкохватка F

## УКАЗАНИЯ ЗА РАБОТА

- Ще получите оптимални резултати, ако раздробявате пряно отрязани клони
- Използвайте пластината K при подаване на мек материал 19
- Меки градински отпадъци се раздробяват по-добре на малки порции, особено когато са влажни
- Можете да избегнете запущване, ако междинно раздробявате и клони

## ПОДДРЪЖКА / СЕРВИЗ

- Този инструмент не е предназначен за професионална употреба
- Грижете се за поддръжката и почистването на електроинструмента
  - поддържайте вентилационните отвори постоянно чисти от отпадъци
- ! **преди почистване изключете щепсела**
- Редовно проверявайте електроинструмента за дефекти, като например разхлабени или повредени ножове, разхлабени винтови съединения и износени или повредени части
- Поради съображения за безопасност износените и повредени части трябва да се подменят
- Не допускайте прегъване на обезопасителната блокировка N 20, което може да доведе до неправилно функциониране на електроинструмента
- Преди инспектиране, регулиране, обслужване и/или съхраняване на електроинструмента винаги го изключвайте, изчакайте режещия нож да спре, изключвайте щепсела от контакта и изчакайте електроинструмента да изстине

- Съхранявайте инструмента на закрито, сухо място
- При сервизно обслужване на раздробяващия модул не забравяйте, че макар и електродвигателят да не може да бъде включен поради наличието на обезопасителната блокировка, раздробяващият модул може да си върти с ръка
- Ако въпреки прецизното производство и внимателно изпитване възникне повреда, инструмента да се занесе за ремонт в оторизиран сервиз за електроинструменти на SKIL
  - занесете инструмента в неразглобен вид заедно с доказателство за покупката му в търговския обект, откъдето сте го закупили, или в най-близкия сервиз на SKIL (адресите, както и схемата за сервизно обслужване на електроинструмента, можете да намерите на адрес [www.skil.com](http://www.skil.com))

## ОПАЗВАНЕ НА ОКОЛНАТА СРЕДА

- **Не изхвърляйте електроуредите, приспособленията и опановните заедно с битови отпадъци** (само за страни от ЕС)
  - съобразно Директивата на ЕС 2012/19/EG относно износени електрически и електронни уреди и отразяването ѝ в националното законодателство износените електроуреди следва да се събират отделно и да се предават за рециклиране според изискванията за опазване на околната среда
  - за това указва символът 22 тогава когато трябва да бъдат унищожени

## ДЕКЛАРАЦИЯ ЗА СЪОТВЕТСТВИЕ С ЕС

- С пълна отговорност ние декларираме, че описаният в "Технически данни" продукт съответства на следните стандарти или нормативни документи: EN 60335, EN 13683, EN 61000, EN 55014 съгласно изискванията на директиви 2006/95/EG, 2004/108/EG, 2006/42/EG, 2000/14/EG, 2011/65/EC
- **Подробни технически описания при:** SKIL Europe BV (PT-SEU/ENG1), 4825 BD Breda, NL

Marijn van der Hoofden  
Operations & Engineering

Olaf Dijkgraaf  
Approval Manager




SKIL Europe BV, 4825 BD Breda, NL

19.12.2013

CE11

## ШУМ

- Измерена в съответствие с 2000/14/EG (EN/ISO 3744) гарантираната сила на шума LWA е по-ниска от 113 dB(A) (методът за оценка на съответствието е съгласно Приложение V)  
Нотифициран орган : KEMA, Arnhem, NL  
Идентифициран номер на нотифицирания орган : 0344

## ÚVOD

- Tento nástroj nie je vhodný pre profesionálne použitie
- Tento nástroj je určený na rezanie vlákňitého a drevného záhradného odpadu pre kompostovanie
- Skontrolujte, či balenie obsahuje všetky súčasti podľa obrázka ②
- Ak sú niektoré súčasti poškodené, alebo chýbajú, obráťte sa na svojho predajcu
- Pred použitím si dôkladne prečítajte tento návod a uchovajte ho pre prípad potreby v budúcnosti ③
- **Zvlášť venujte pozornosť bezpečnostným pokynom a upozorneniam; nedodržanie týchto pokynov môže spôsobiť vážne zranenie**

## TECHNICKÉ ÚDAJE ①

- \*) Prevádzkový režim S6 (P40 = 40%) označuje profil zaťaženia, pri ktorom zaberá zaťaženie 4 min. a chod naprázdno 6 min (pre praktické používanie je prípustná trvalá prevádzka)

## ČASTI NÁSTROJA ②

- A Kľúč (2)
- B Zberné vreco
- C Výstup
- D Držiak podávača
- E Spínač zapnutie/vypnutie
- F Poistné koliesko
- G Tlačidlo pre opätovné spustenie
- H Prívodný vstupný otvor
- J Vetracie štrbiny
- K Podávač
- L Imbusový kľúč
- M Kovová doska
- N Bezpečnostný zámok

## BEZPEČNOSŤ

### ŠPECIFICKÉ BEZPEČNOSTNÉ POKYNY PRE SEKAČKY

#### VYSVETLENIE SYMBOLOV NA NÁSTROJI

- ③ **Pred použitím si prečítajte návod na obsluhu**
- ④ **Pred čistením/vykonávaním údržby alebo v prípade poškodeného alebo zamotaného (predlžovacieho) sieťového kábla nástroj vypnite a odpojte zástrčku**
- ⑤ **NEBEZPEČENSTVO** Rotujúce čepele; nedávajte ruky do otvorov, keď je nástroj spustený
- ⑥ **Dávajte pozor na riziko poranenia spôsobeného odletujúcim odpadom** (zaisťte, aby boli okolostojace osoby v bezpečnom odstupe od pracovného priestoru)
- ⑦ **Nedotýkajte sa žiadnych pohyblivých súčastí nástroja, kým nie sú úplne zastavené**
- ⑧ **Používajte ochranné rukavice**
- ⑨ **Používajte ochranné okuliare a tlmíče hluku na uši**
- ⑩ **Nástroj nevystavujte dažďu**
- ⑪ **Dvojité izolácia** (nevýžaduje sa uzemňovací kábel)
- ⑫ **Nástroj nevyhadzujte do komunálneho odpadu**

- ⑬ **Zástrčky a zásuvky** nachádzajúce sa v blízkosti miesta prevádzky alebo vonku musia mať stupeň ochrany IP X4 podľa normy BS 5490, aby bola zaistená dostatočná ochrana proti vniknutiu vody atď., a kábové prívody musia mať účinné tesnenie

#### VŠEOBECNE

- Tento nástroj nie je určený na použitie osobami (vrátane detí), ktoré majú znížené fyzické, zmyslové alebo mentálne schopnosti, alebo majú nedostatok skúseností a vedomostí, pokiaľ nad nimi nie je dozor alebo im neboli poskytnuté pokyny zahŕňajúce použitie tohto nástroja osobou, ktorá je zodpovedná za ich bezpečnosť
- Uistite sa, že sa deti s nástrojom nehrajú
- Oboznámte sa s ovládacími prvkami a správnym použitím nástroja
- Nikdy nedovoľte používať kosačku deťom alebo ľuďom, ktorí neovládajú pokyny k jej prevádzke (vek osôb oprávnených na používanie nástroja môžu určovať príslušné predpisy)
- Nikdy nepoužívajte nástroj v bezprostrednej blízkosti ľudí; prestaňte používať nástroj, keď sú v blízkosti ľudí (najmä deti) alebo zvieratá
- Za nehody alebo vystavenie iných osôb alebo ich majetku nebezpečnosti je zodpovedný užívateľ
- Všetky kryty a štíty musia byť nasadené a udržiavané v dobrom stave
- Pred pripevnením alebo odstránením zberného vreca nástroj vždy vypnite
  - keď nechávate nástroj bez dozoru
  - pred odstránením zaseknutého materiálu
  - pred kontrolou, čistením alebo pracovaním na nástroji
- ! **počkajte na zastavenie rezacej čepele a odpojte zástrčku**

#### ELEKTRICKÁ BEZPEČNOSŤ

- Vždy skontrolujte či je napájacie napätie rovnaké ako napätie uvedené na štítku nástroja
- Pravidelne kontrolujte šnúru a ak je poškodená, šnúru musí vymeniť kvalifikovaná osoba
- Pravidelne kontrolujte predlžovací sieťový kábel a vymeňte ho, ak je poškodený (**nevhodné predlžovacie sieťové káble môžu byť nebezpečné**)
- Pri použití nástroja vo vlhkom prostredí použite zariadenie na ochranu pred zvyškovým prúdom (RCD) so spúšťacím prúdom maximálne 30 mA
- Používajte len predlžovacie sieťové káble typu H05VV-F alebo H05RN-F, ktoré sú určené na vonkajšie použitie a majú vodotesnú spojovaciu zásuvku
- Vždy vypnite nástroj a odpojte zástrčku zo zásuvky, ak je napájací sieťový kábel alebo predlžovací sieťový kábel prerezaný, poškodený alebo zamotaný (**nedotýkajte sa sieťového kábla pred odpojením zástrčky**)
- V záujme bezpečnosti by výmenu prívodnej šnúry mala vykonávať iba servisná opravovňa elektrického náradia SKIL
- Používajte úplne odmotanú a bezpečnú predlžovaciu šnúru s kapacitou 16 A
- Chráňte (predlžovací) sieťový kábel pred teplom, olejom a ostrými hranami
- Neprechádzajte cez (predlžovací) sieťový kábel a ani ho neprítlačajte alebo neťahajte
- Používajte len predlžovacie sieťové káble s maximálnou dĺžkou 20 metrov (1,5 mm<sup>2</sup>) alebo 50 metrov (2,5 mm<sup>2</sup>)

## BEZPEČNOSŤ OSÔB

- Kosačku nepoužívajte naboso ani v otvorených sandáloch; vždy noszte pevné topánky a dlhé nohavice
- Nenoste voľné oblečenie s visiacimi šnúrkami alebo kravatu
- Nástroj používajte len v otvorenom priestranstve (nie príliš blízko pri stene alebo iných pevných predmetoch) a na pevnom, rovnom povrchu
- Nástroj skladujte v miestnosti na suchom a uzamknutom mieste, mimo dosahu detí

## PRED POUŽITÍM

- Skontrolujte, či sú všetky skrutky, matice a iné upevňovacie prvky správne zatiahnuté a či sú nasadené všetky kryty a ochrany

- Ubezpečte sa, že prívodný vstup je prázdny

## POČAS PRÁCE

- Nepribližujte sa tvárou a telom k prívodnému vstupnému otvoru
- Nedávajte ruky (ani inú časť tela) a oblečenie dovnútra prívodného vstupného otvoru, výstupného otvoru alebo do blízkosti žiadnej pohyblivej časti
- Vždy udržiujte dobrú rovnováhu a pevný postoj; príliš sa nenačahujte
- Pri podávaní materiálu nikdy nestojte na vyššej úrovni, ako je spodok nástroja
- Pri použití nástroja vždy udržiujte náležitý odstup od výstupnej oblasti
- Pri podávaní materiálu do nástroja dávajte mimoriadny pozor, aby materiál neobsahoval kusy kovu, kamene, fľaše, plechovky a iné cudzie predmety
- Ak rezací mechanizmus narazí na akýkoľvek cudzí predmet alebo ak nástroj začne vydávať neobvyklý hluk alebo vibrovať, okamžite nástroj vypnite, počkajte na zastavenie rezacej čepele, odpojte zástrčku a vykonajte nasledujúce kroky
  - skontrolujte, či nástroj nie je poškodený
  - vymeňte alebo opravte všetky poškodené súčasti
  - skontrolujte, či nie sú niektoré súčasti uvoľnené a dotiahnite ich
- Nedovoľte, aby sa spracovaný materiál hromadil vo výstupnej oblasti; mohlo by to zabrániť správne vyprázdňovaniu a tým spôsobíť spätný odraz materiálu cez prívodný vstupný otvor
- Ak sa nástroj upchá, pred odstránením odpadu ho vypnite, počkajte na zastavenie rezacej čepele a odpojte zástrčku
- Udržiujte vetracie otvory motora čisté a odstraňujte z nich odpad a iný nahromadený materiál, aby sa zabránilo poškodeniu motora alebo možnému požiaru
- Nenakláňajte ani neprenášajte nástroj so spusteným motorom

## POUŽITIE

- Návod na montáž <sup>(14)</sup>
    - namontujte kolieska pomocou dvoch dodaných kľúčov A a zostavte nástroj podľa obrázka
    - umiestnite zberné vreco B pod výstup C
    - namontujte držiak podávača D
  - Zapínanie/vypínanie <sup>(15)</sup>
    - nástroje zapnite/vypnite posunutím prepínača E do polohy "I"/"O"
- ! čepeľ ešte niekoľko sekúnd rotuje aj po vypnutí nástroja**

- pred opätovným zapnutím nástroja počkajte, kým sa rezacia čepeľ neprestane otáčať
- ! nástroj sa nespustí, pokiaľ poistné koliesko F nie je úplne dotiahnuté**
- ! nezapínajte a nevyvíňajte nástroj rýchlo za sebou**
- Ochrana proti opätovnému spusteniu
  - po výpadku napájania sa nástroj opätovne nespustí automaticky
  - nástroj opätovne spustíte pomocou spínača E <sup>(15)</sup>
- Ochrana proti preťaženiu
  - Preťaženie (napr. zablokovanie rezacej čepele) môže spôsobiť zastavenie nástroja
  - pred opätovným zapnutím nástroja chvíľu počkajte
  - opätovne spustíte nástroj stlačením tlačidla G <sup>(15)</sup> a potom spínača E <sup>(15)</sup>
- Sekanie <sup>(16)</sup>
  - materiál, ktorý sa má rozsekať, podávajte cez prívodný vstupný otvor H
  - materiál vkladajte len v takom množstve, aby sa prívodný vstup neupchal
  - ! dlhší materiál môže počas rezania šviháť**
  - ! z prívodného vstupného otvoru sa môžu vymršťovať menšie kusy posekaného materiálu**
  - ! pri použití nástroja používajte ochranné okuliare, ochranu sluchu a ochranné rukavice**
  - nedávajte do sekačky mäkký materiál, ako je kuchynský odpad
  - zabezpečte, aby rozsekaný materiál mohol voľne vypadávať z výstupu C
  - zabezpečte, aby vetracie otvory J <sup>(2)</sup> neboli zakryté zberným vrecom alebo rozsekaným materiálom
  - zabráňte zablokovaniu výstupu C rozsekaným materiálom, pretože by to mohlo spôsobiť spätný odraz materiálu cez prívodný vstupný otvor H
- Odstránenie upchania <sup>(17)</sup>
  - ! nástroj vypnite a vytiahnite zo zásuvky**
  - uvoľnite poistné koliesko F a otvorte nástroj podľa obrázka
  - očistite oblasť čepele (odstráňte nahromadený odpad dreveným alebo plastovým nástrojom)
  - odstráňte aj všetok odpad z výstupu C
  - zavrite nástroj a pevne dotiahnite poistné koliesko F
- Obrátenie/výmena rezacej čepele <sup>(18)</sup>
  - ! nástroj vypnite a vytiahnite zo zásuvky**
  - rezacia čepeľ má ostrie na oboch stranách; takže ak sa jedna strana otupí, môže sa použiť druhá strana
  - ak sú tupé obe strany, rezáciu čepeľ vymeňte (číslo náhradného dielu SKIL 2610Z02553, označenie YAT 8231-545201)
  - uvoľnite poistné koliesko F a otvorte nástroj podľa obrázka
  - uvoľnite obe skrutky čepele pomocou šesťhranného kľúča L, pričom použite kovovú dosku M ako podporu
  - obráťte a namontujte rezáciu čepeľ podľa obrázka
  - dotiahnite obe skrutky čepele pomocou šesťhranného kľúča L, pričom použite kovovú dosku M ako podporu
  - zavrite nástroj a pevne dotiahnite poistné koliesko F

## RADU NA POUŽITIE

- Na dosiahnutie najlepších výsledkov sekajte čerstvé vetvy hneď po ich odrezaní
- Na podávanie mäkkého materiálu použite podávač K <sup>(19)</sup>

- Mäkký záhradný odpad sekajte v menších dávkach, najmä keď je mokrý
- Upchaniam možno zabrániť prerušovaným sekáním vetiev

## ÚDRŽBA / SERVIS

- Tento nástroj nie je vhodný pre profesionálne použitie
- Venujte pozornosť údržbe nástroja a udržiajte ho čistý
  - vždy sa ubezpečte, že z vetracích otvorov je odstránený všetok odpad
- ! **pred čistením odpojte z elektrickej siete**
- Pravidelne kontrolujte, či sa na nástroji neobjavili chyby, ako je uvoľnená, posunutá alebo poškodená čepeľ, uvoľnené upevňovacie prvky a opotrebované alebo poškodené súčasti
- Opotrebovaná a poškodená súčasti je z bezpečnostných dôvodov potrebné vymeniť
- Zabráňte ohnitiu bezpečnostného zámku N 20, pretože by to mohlo spôsobiť nefunkčnosť nástroja
- Pred kontrolovaním, nastavením, opravovaním a uskladnením nástroj vždy vypnite, počkajte na zastavenie rezacej čepele, odpojte zástrčku a nechajte ho vychladnúť
- Nástroj vždy odložte na suché miesto v interiéri
- Pri opravovaní sekacieho mechanizmu majte na pamäti, že aj keď sa motor vďaka funkcii bezpečnostného zámku krytu nespustí, sekacím mechanizmom možno stále pohybovať rukou
- Ak by nástroj napriek starostlivej výrobe a kontrole predsa len prestal niekedy fungovať, treba dať opravu vykonať autorizovanej servisnej opravovni elektrického náradia SKIL
  - pošlite nástroj **bez rozmontovania** spolu s dôkazom o kúpe; vášmu dilerovi alebo do najbližšieho servisného strediska SKIL (zoznam adries servisných stredísk a servisný diagram nástroja sú uvedené na [www.skil.com](http://www.skil.com))

## ŽIVOTNÉ PROSTREDIE

- **Elektrické náradie, príslušenstvo a balenia nevyhadzujte do komunálneho odpadu** (len pre štáty EÚ)
  - podľa európskej smernice 2012/19/EG o nakladaní s použitými elektrickými a elektronickými zariadeniami a zodpovedajúcich ustanovení právnych predpisov jednotlivých krajín sa použité elektrické náradie musí zbierať oddelene od ostatného odpadu a podrobiť ekologicky šetrnej recyklácii
  - pripomenie vám to symbol 12, keď ju bude treba likvidovať

## VYHLÁSENIE O ZHODE CE

- Na vlastnú zodpovednosť vyhlasujeme, že dole popísaný výrobok "Technické údaje" sa zhoduje s nasledujúcimi normami alebo normatívnymi dokumentami: EN 60335, EN 13683, EN 61000, EN 55014 podľa ustanovení smerníc 2006/95/EG, 2004/108/EG, 2006/42/EG, 2000/14/EG, 2011/65/EU

- **Súbor technickej dokumentácie sa nachádzajú na adrese:** SKIL Europe BV (PT-SEU/ENG1), 4825 BD Breda, NL

Marijn van der Hoofden  
Operations & Engineering

Olaf Dijkgraaf  
Approval Manager




SKIL Europe BV, 4825 BD Breda, NL

19.12.2013

CE11

## HLUKU

- Garantovaná hladina akustického výkonu LWA, nameraná v súlade s normou 2000/14/EG (EN/ISO 3744) je nižšia ako 113 dB(A) (spôsob hodnotenia konformity podľa prílohy V)
- Oboznámený orgán: KEMA, Arnhem, NL
- Identifikačné číslo oboznámeného orgánu: 0344

HR

## Rezač

0770

## UVOD

- Ovaj uređaj nije namijenjen profesionalnoj upotrebi
- Ovaj alat namijenjen je za rezanje vlaknastog i drvenog vrtnog otpada u cilju kompostiranja
- Proverite sadrži li paket sve dijelove prema nacrtu ②
- Ako vam dijelovi nedostaju ili su oštećeni, obratite se svom dobavljaču
- Prije uporabe pažljivo pročitajte ovaj priručnik s uputama i spremite ga za kasniju uporabu ③
- **Posebnu pažnju obratite na sigurnosne upute i upozorenja; pridržavajte ih se kako ne bi došlo do ozbiljnih ozljeda**

## TEHNIČKI PODACI ①

- \*) Način rada S6 (P40 = 40%) označava profil opterećenja s 4 min. opterećenja i 6 min. praznog hoda (za praktičnu primjenu dopušten je stalni rad)

## DIJELOVI ALATA ②

- A Ključ (2)
- B Vreća za sakupljanje
- C Izlazni otvor
- D Nosač nabijača
- E Prekidač uključeno/isključeno
- F Sigurnosni gumb
- G Gumb za ponovno pokretanje
- H Otvor za ubacivanje materijala
- J Otvori za strujanje zraka
- K Nabijač
- L Šesterokutni ključ
- M Metalna ploča
- N Sigurnosna brava



# SIGURNOST

## POSEBNE SIGURNOSNE UPUTE VEZANO UZ REZAČE

### POJAŠNJENJE SIMBOLA NA UREĐAJU

- ③ **Prije upotrebe pročitajte korisnički priručnik**
- ④ **Isključite i iskopčajte utikač prije čišćenja/ održavanja ili ako je (produžni) kabel oštećen ili zapetljan**
- ⑤ **OPASNOST** Rotirajući noževi; držite ruke podalje od otvora dok je alat uključen
- ⑥ **Pazite na opasnost od ozljeda koje izaziva leteći otpadni materijal** (sve osobe moraju biti na sigurnoj udaljenosti od područja rada)
- ⑦ Pričekajte da se svi pokretni dijelovi potpuno zaustave prije nego što ih dodirnete
- ⑧ Nositi zaštitne rukavice
- ⑨ Nositi zaštitne naočale i štitnike za sluh
- ⑩ Uređaj nikada ne izlažite kiši
- ⑪ Dvostruka izolacija (dozemna žica nije potrebna)
- ⑫ Uređaj ne bacajte u kućni otpad
- ⑬ Utikači i utičnice koji se nalaze u blizini mjesta rada ili na otvorenom moraju biti klase IP X4 prema BS 5490 kako bi pružili prikladnu zaštitu od ulaska vode i sl., a otvori za ulazak kabela moraju imati učinkovito brtvljenje

### OPĆENITO

- Nije predviđeno da se ovim alatom koriste osobe (uključujući i djecu) sa smanjenim fizičkim, osjetilnim ili mentalnim sposobnostima, neiskusne i neobučene osobe, osim ako se nalaze pod nadzorom osobe koja odgovara za njihovu sigurnost ili su od nje dobile upute o načinu korištenja alata
- Pobrinite se da se djeca ne igraju ovim alatom
- Upoznajte se s kontrolama i ispravnim korištenjem uređaja
- Nikada ne dopustite djeci ili osobama koje nisu upoznate s uputama za rad da koriste uređaj (starost rukovatelja može biti ograničena lokalnim propisima)
- Nikada ne radite s uređajem u neposrednoj blizini osoba; ako su u blizini druge osobe (posebno djeca) ili kućni ljubimci
- Korisnik je odgovoran za nezgode i opasnosti prouzročene osobama ili njihovoj imovini
- Držite sve štitnike i usmjerivače na predviđenom mjestu u i u dobrom radnom stanju
- Uvijek isključite alat, pričekajte da se nož zaustavi i izvucite utikač
  - ako ostavljate uređaj bez nadzora
  - prije čišćenja zaglavljenog materijala
  - prije provjere, čišćenja ili rada na uređaju

### **! prije montaže ili uklanjanja vreće za sakupljanje**

### ELEKTRIČNA SIGURNOST

- Uvijek provjerite je li napon napajanja isti kao onaj naveden na tipskoj pločici uređaja
- Kabel redovito kontrolirati u slučaju oštećenja zatražiti zamjenu od kvalificiranog električara
- Povremeno pregledajte produžni kabel i zamijenite ga ako je oštećen (**neodgovarajući produžni kabeli mogu biti opasni**)
- Pri radu u vlažnom okruženju upotrijebite uređaj za zaštitu od strujnog udara (RCD) sa strujom okidanja od maksimalno 30 mA

- Koristite samo produžne kabele tipa H05VV-F ili H05RN-F, predviđene za primjenu na otvorenom i s priključnim mjestom zaštićenom od prskanja
- Uvijek isključite alat i izvucite utikač iz izvora napajanja ako je kabel za napajanje ili produžni kabel prerezan, oštećen ili zapetljan (**ne dodirujte kabel prije isključivanja utikača**)
- Oštećeni kabel za zrak treba zamijeniti u servisu tvrtke SKIL da bi se izbjegla opasnost
- Upotrebjavajte samo neodmotane i zaštićene produžne kabele kapaciteta 16 ampera
- Zaštitite kabel od topline, ulja i oštrih rubova
- Nemojte prelaziti, stiskati ili povlačiti (produžni) kabel
- Koristite samo produžne kabele maksimalne duljine 20 metara (1,5 mm<sup>2</sup>) ili 50 metara (2,5 mm<sup>2</sup>)

### SIGURNOST LJUDI

- Nemojte rukovati uređajem bosu ili u otvorenim sandalama; uvijek nosite čvrste cipele i duge hlače
- Izbjegavajte nošenje široke odjeće, remena koji vise ili kravata
- Rukujte alatom samo na čvrstoj, ravnoj površini na otvorenom prostoru (ne preblizu zida ili drugih čvrstih predmeta)
- Uređaj spremite **unutra** na suho mjesto nedostupno za djecu

### PRIJE UPORABE

- Provjerite jesu li svi vijci, matice, svornjaci i drugi pričvršćivači pravilno pričvršćeni i jesu li štitnici i sita na predviđenom mjestu
- Uvjerite se da je otvor za ubacivanje materijala prazan

### TIJEKOM UPORABE

- Držite lice i tijelo podalje od otvora za ubacivanje materijala
- Ne dopustite da vam se ruke (ili neki drugi dio tijela) ili odjeća nađu u otvoru za ubacivanje materijala, izlaznom otvoru ili u blizini bilo kojeg pokretnog dijela
- Održavajte prikladnu ravnotežu i uporište u svakom trenutku; ne naginjte se previše
- Prilikom ubacivanja materijala u alat nikad nemojte stajati na razini višoj od postolja alata
- Prilikom rukovanja alatom uvijek održavajte prikladno rastojanje od zone izlaznog otvora
- Prilikom ubacivanja materijala u alat posebnu pozornost obratite na to da u materijalu nema komada metala, kamenja, boca, limenki ili drugih stranih predmeta
- Ako rezni mehanizam udari u neki strani predmet ili ako alat počne proizvoditi neuočijeni zvuk ili vibracije, odmah ga isključite i pričekajte da se nož zaustavi, potom izvucite utikač i poduzmite sljedeće korake
  - pregledajte alat i utvrdite ima li oštećenja
  - zamijenite ili popravite sve oštećene dijelove
  - provjerite ima li labavih dijelova i pritegnite ih
- Nemojte dopustiti nagomilavanje obrađenog materijala u zoni izlaznog otvora; to može spriječiti pravilno pražnjenje i dovesti do povratnog kretanja materijala kroz otvor za ubacivanje materijala
- Ako dođe do začepjenja alata, isključite alat, pričekajte da se nož zaustavi, izvucite utikač i potom očistite otpad
- Održavajte otvore za hlađenje motora bez otpada i drugih naslaga da biste spriječili oštećenje motora ili nastajanje požara
- Nemojte naginjati ili prenositi alat dok je motor uključen

## POSLUŽIVANJE

- Upute za sklapanje <sup>(14)</sup>
  - montirajte kotače uz pomoć dva isporučena ključa A i sklopite alat kao što je prikazano na slici
  - postavite vreću za sakupljanje B ispod izlaznog otvora C
  - montirajte nosač nabijača D
- Uključivanje/isključivanje <sup>(15)</sup>
  - uređaj uključiti/isključiti pritiskom na prekidač E u "I"/"O" položaj
  - ! **nakon isključivanja uređaja oštrica se kreće još nekoliko sekundi**
  - prije ponovnog uključivanja alata pričekajte da se nož prestane okretati
  - ! **alat se neće pokrenuti ako sigurnosni gumb F nije potpuno pritegnut**
  - ! **nemojte brzo uključivati i isključivati uređaj**
- Zaštita od ponovnog pokretanja
  - alat se ne pokreće automatski nakon prekida napajanja
  - za ponovno pokretanje alata pritisnite prekidač E <sup>(15)</sup>
- Zaštita od preopterećenja  
Preopterećenje (npr. blokada rezne oštrice) može prouzročiti zaustavljanje alata
  - pričekaite nakratko prije ponovnog uključivanja alata
  - ponovno pokrenite alat pritiskom gumba G <sup>(16)</sup>, a zatim prekidača E <sup>(15)</sup>
- Usitnjavanje <sup>(16)</sup>
  - materijal predviđen za usitnjavanje ubacite kroz otvor za ubacivanje materijala H
  - ubacite samo onu količinu materijala koja neće blokirati ulazni otvor
  - ! **materijal veće duljine mogao bi vas oštinuti prilikom rezanja**
  - ! **komadići usitnjenog materijala mogu izletjeti iz otvora za ubacivanje materijala**
  - ! **tijekom korištenja alata nosite zaštitne naočale, štitnike za sluh i zaštitne rukavice**
  - u rezač nemojte ubacivati meki otpad poput kuhinjskog otpada
  - pobrinite se da usitnjeni materijal može slobodno ispadati iz izlaznog otvora C
  - pobrinite se da vreća za sakupljanje ili usitnjeni materijal ne pokrivaju ventilacijske otvore J <sup>(2)</sup>
  - izbjegavajte blokiranje izlaznog otvora C usitnjenim materijalom jer to može dovesti do povratnog kretanja materijala kroz otvor za ubacivanje materijala H
- Uklanjanje blokade <sup>(17)</sup>
  - ! **isključite uređaj i odspojite utikač**
  - otpustite sigurnosni gumb F i otvorite alat kao što je prikazano na slici
  - očistite područje noža (uklonite nabijeni otpad uz pomoć drvene ili plastične naprave)
  - također očistite izlazni otvor C i uklonite sav otpad
  - zatvorite alat i čvrsto pritegnite sigurnosni gumb F
- Okretanje/zamjena noža <sup>(18)</sup>
  - ! **isključite uređaj i odspojite utikač**
  - nož ima rezu oštricu s obje strane; stoga, kad se istupi jedna strana, može se koristiti druga
  - zamijenite nož kad se istupe obje strane (broj SKIL rezervnog dijela 2610Z02553, s oznakom YAT 8231-545201)
  - otpustite sigurnosni gumb F i otvorite alat kao što je prikazano na slici

- otpustite oba svornjaka na nožu uz pomoć imbus ključa L koristeći metalnu ploču M kao uporište
- okrenite i montirajte nož kao što je prikazano na slici
- pritegnite oba svornjaka na nožu uz pomoć imbus ključa L koristeći metalnu ploču M kao uporište
- zatvorite alat i čvrsto pritegnite sigurnosni gumb F

## SAVJETI ZA PRIMJENU

- Da biste postigli najbolje rezultate, usitnjavajte svježje odrezane grane
- Koristite nabijač K za ubacivanje mekog materijala <sup>(19)</sup>
- Mekani vrtni otpad usitnjavajte u manjim količinama, osobito ako je vlažan
- Usitnjavanje grana obavljajte uz prekide kako bi se izbjegle blokade

## ODRŽAVANJE / SERVISIRANJE

- Ovaj uređaj nije namijenjen profesionalnoj upotrebi
- Pažljivo održavajte alat i držite ga čistim
  - uvijek osigurajte da otvori za ventilaciju budu slobodni od otpadnog materijala
- ! **prije čišćenja treba izvući mrežni utikač**
- Redovito provjeravajte ima li neispravnosti poput labavog, pomaknutog ili oštećenog noža, labavih pričvršćivača te istrošenih ili oštećenih dijelova
- U cilju sigurnosti zamijenite istrošene ili oštećene dijelove
- Izbjegavajte savijanje sigurnosne brave N <sup>(20)</sup> jer bi u suprotnom moglo doći do nepravilnog rada alata
- Prije pregleda, prilagodbe, servisiranja i/ili skladištenja alata uvijek isključite alat, pričekajte da se nož zaustavi, izvucite utikač i pričekajte da se alat ohladi
- Uređaj čuvajte u zatvorenom i suhom prostoru
- Prilikom servisiranja rezača uzmite u obzir da, iako je pokretanje motora onemogućeno zahvaljujući funkciji sigurnosne brave štitnika, rezač ipak možete pokrenuti ručno
- Ako bi uređaj unatoč brižljivih postupaka izrade i ispitivanja ipak prestao raditi, popravak treba prepustiti ovlaštenom servisu za SKIL električne alate
  - uređaj treba **nerastavljeno** predati, zajedno s računom o kupnji u najbližu SKIL ugovornu servisnu radionicu (popise servisa, kao i oznake rezervnih dijelova uređaja možete naći na adresi [www.skil.com](http://www.skil.com))

## ZAŠTITA OKOLIŠA

- **Električne alate, pribor i ambalažu ne bacajte u kućni otpad** (samo za EU-države)
  - prema Europskoj direktivi 2012/19/EG o staroj električnoj i elektroničkoj opremi i njenoj primjeni u skladu sa nacionalnim zakonom, istrošeni električni alati moraju se sakupljati odvojeno i odvesti u posebne pogone za reciklažu
  - na to podsjeća simbol <sup>(12)</sup> kada se javi potreba za odlaganjem

## DEKLARACIJA O SUKLADNOSTI CE

- Izjavljujemo uz punu odgovornost da je ovaj proizvod opisan u "Tehnički podaci" usklađen sa slijedećim normama ili normativnim dokumentima: EN 60335, EN 13683, EN 61000, EN 55014 prema odredbama smjernica 2006/95/EG, 2004/108/EG, 2006/42/EG, 2000/14/EG, 2011/65/EU

- **Tehnička dokumentacija se može dobiti kod:**  
SKIL Europe BV (PT-SEU/ENG1), 4825 BD Breda, NL

Marijn van der Hoofden      Olaf Dijkgraaf  
Operations & Engineering      Approval Manager




SKIL Europe BV, 4825 BD Breda, NL

19.12.2013

CE11

## BUCI

- Pri mjerenju izvedenom u skladu s 2000/14/EG (EN/ISO 3744) zajamčena razina buke LWA manja je od 113 dB(A) (postupak vrednovanja usklađenosti prema Dodatku V)
- Obaviješteno tijelo: KEMA, Arnhem, NL
- Identifikacijski broj obaviještenog tijela: 0344

SRB

## Drobrilica

0770

## UPUTSTVO

- Ovaj alat nije namenjen za profesionalnu upotrebu
- Ovaj alat je namenjen za sečenje vlaknastog i drvenog baštenskog otpada radi kompostovanja
- Proverite da li ambalaža sadrži sve delove prikazane na šemi ②
- U slučaju da delovi nedostaju ili su oštećeni, molimo kontaktirajte svog prodavca
- Pažljivo pročitajte ovo uputstvo za upotrebu i sačuvajte ga za kasnije potrebe ③
- **Posebno obratite pažnju na uputstva o bezbednosti i upozorenja; ukoliko ih ne sledite, može da dođe do ozbiljnih povreda**

## TEHNIČKI PODACI ①

- \* Vrsta rada S6 (P40 = 40%) označava jedan profil opterećenja, koji pretpostavlja opterećenje 4 min i prazan hod 6 min (za praktičnu upotrebu dozvoljen je trajan rad)

## ELEMENTI ALATA ②

- A Ključ (2)
- B Sabirna vreća
- C Izlazni otvor
- D Nosač čekića
- E Prekidač za uključivanje/isključivanje
- F Dugme za pričvršćivanje
- G Dugme za ponovno pokretanje
- H Otvor za ubacivanje materijala
- J Prorezi za hlađenje
- K Čekić
- L Imbus ključa
- M Metalna ploča
- N Bezbednosna brava

## SIGURNOST

### POSEBNA BEZBEDNOSNA UPUTSTVA ZA DROBRILICE

#### OBJAŠNJENJE SIMBOLA NA ALATU

- ③ Pročitajte uputstvo za korišćenje pre prve upotrebe
- ④ Isključite alat i izvucite utikač pre čišćenja/ održavanja, ili ukoliko je (produžni) kabl oštećen ili zapleten
- ⑤ **OPASNOST** Rotirajući noževi; držite ruke dalje od otvora dok je alat uključen
- ⑥ **Obratite pažnju na rizik od povreda izazvanih letećim otpacima** (druga lica držite na bezbednoj udaljenosti od radnog prostora)
- ⑦ Sačekajte da se sve pokretne komponente potpuno zaustave pre nego što ih dodirnete
- ⑧ Nosite zaštitne rukavice
- ⑨ Nosite zaštitne naočari i zaštitu za sluh
- ⑩ Ne izlažite alat kiši
- ⑪ Dvostruka izolacija (nije potrebna žica za uzemljenje)
- ⑫ Alat ne odlažite u kućne otpatke
- ⑬ Potrebno je da utikači i utičnice koji se nalaze u blizini mesta rada ili napolju budu klase IP X4 po BS 5490 da bi pružali odgovarajuću zaštitu od ulaska vode itd. a mesta ulaska kablova treba da budu delotvorno zaptivena

#### OPŠTA

- Ovaj alat namenjen je za upotrebu osobama (uključujući i decu) sa smanjenim fizičkim, senzorskim ili mentalnim sposobnostima ili sa manjkom iskustva i znanja, a ako im osoba zadužena za njihovu bezbednost nije pružila odgovarajuća pomoć i uputstvo kako koristiti alat
  - Vodite računa da se deca ne igraju sa alatom
  - Upoznajte se sa komandama i pravilnim korišćenjem alata
  - Korišćenje alata nikada nemojte dozvoliti deci ili drugim licima koja nisu upoznata sa uputstvom za njegovu upotrebu (lokalni propisi mogu sadržati starosno ograničenje za rukovaoca)
  - Nikada ne rukujte alatom u neposrednoj blizini drugih lica; prestanite sa upotrebom alata kada se u blizini nalaze druga lica (naročito deca) ili kućni ljubimci
  - Korisnik je odgovoran za nezgode ili opasnosti kojima su izložena druga lica ili njihova imovina
  - Držite sve štitnike i usmerivače na mestu i u dobrom radnom stanju
  - Uvek isključite alat, sačekajte da se nož za sečenje zaustavi i izvucite utikač
    - kada god ostavljate alat bez nadzora
    - pre uklanjanja zaglavljenog materijala
    - pre provere, čišćenja ili rada na alatu
- ! pre montaže ili uklanjanja sabirne vreće**

#### ELEKTRIČNA SIGURNOST

- Uvek se uverite da je napon struje isti kao i napon naveden na pločici sa nazivom alatu
- Povremeno proverite kabl i u slučaju oštećenja, odnesite ga kvalifikovanom licu da ga zameni
- Povremeno pregledajte produžni kabl i zamenite ga u slučaju oštećenja (**neodgovarajući produžni kablovi mogu predstavljati opasnost**)
- Prilikom upotrebe alata u vlažnom okruženju, koristite sklopku na diferencijalnu struju čija je struja okidanja najviše 30 mA

- Isključivo koristite produžni kabl tipa H05VV-F ili H05RN-F koji je namenjen za korišćenje na otvorenom i opremljen vodonepropusnim utikačem i dvostrukom utičnicom otpornom na kvašenje
- Uvek isključite alat i izvucite utikač iz izvora napajanja ukoliko je kabl napajanja ili produžni kabl presečen, oštećen ili zapleten (**kabl ne dodirujte pre nego što izvučete utikač**)
- Da bi bila izbegnuta opasnost, oštećeni kabl napajanja treba zameniti isključivo u SKIL servisu
- Produžni kabl koji koristite mora da bude sasvim odmotan i siguran, sa kapacitetom od 16 A
- Zaštitite (produžni) kabl od toplote, ulja i oštih ivica
- Nemojte gaziti, gnječiti ili potezati (produžni) kabl
- Koristite isključivo produžne kablove maksimalne dužine 20 metara (1,5 mm<sup>2</sup>) ili 50 metara (2,5 mm<sup>2</sup>)

#### SIGURNOST OSOBA

- Ne koristite alat bosu ili u otvorenim sandalama; uvek nosite pantalone sa dugim nogavicama i čvrste cipele
- Izbegavajte nošenje široke odeće, gajtana koji vise ili kravata
- Rukujte alatom samo na otvorenom prostoru (ne preblizu zida ili drugih čvrstih predmeta) i na čvrstoj, ravnoj površini
- Čuvajte alat na svom **u njegovu** i zaključanom mestu, van domašaja dece

#### PRE UPOTREBE

- Proverite da li su svi zavrtnji, navrtke, vijci i druga sredstva za pričvršćivanje pravilno pričvršćeni i da li su štitnici i sita na mestu
- Proverite da li je otvor za ubacivanje materijala prazan

#### TOKOM UPOTREBE

- Držite lice i telo dalje od otvora za ubacivanje materijala
- Ne dozvolite da vam se ruke (ili neki drugi deo tela) ili odeća nađu u otvoru za ubacivanje materijala, izlaznom otvoru ili u blizini pokretnog dela
- Održavajte odgovarajuću ravnotežu i oslonac u svakom trenutku; ne naginjte se previše
- Nikada nemojte stajati na visem nivou od postolja alata dok ubacujete materijal u alat
- Prilikom rukovanja alatom uvek održavajte odgovarajuće rastojanje od zone izlaznog otvora
- Prilikom ubacivanja materijala u alat posebno vodite računa da u materijalu nema komada metala, kamenja, boca, konzervi ili drugih stranih predmeta
- Ako mehanizam za sečenje udara u neki strani predmet ili ako alat počne da proizvodi neobičan zvuk ili vibracije, odmah ga isključite i sačekajte da se nož za sečenje zaustavi, izvucite utikač i preduzmite sledeće korake
  - ispitajte oštećenje
  - zamenite ili popravite sve oštećene delove
  - proverite da li ima labavih delova i pritegnite ih
- Nemojte dozvoliti da se materijal koji se obrađuje nagomila u zoni izlaznog otvora; to može da spreči pravilno pražnjenje i da dovede do trzaja u kretanju materijala kroz otvor za ubacivanje materijala
- Ako se alat začepi, isključite alat, sačekajte da se nož za sečenje zaustavi, izvucite utikač i zatim očistite otpad
- Održavajte otvore za hlađenje motora bez otpada i drugih naslaga da biste sprečili oštećenje motora ili nastajanje požara
- Nemojte naginjati ili prenositi alat dok je motor uključen

## UPUTSTVO ZA KORIŠĆENJE

- Uputstvo za sastavljanje ⑭
  - montirajte točkove pomoću dva priložena ključa A i sklopote alat kao što je prikazano na slici
  - postavite sabirnu vreću B ispod izlaznog otvora C
  - montirajte nosač čekića D
- Uključivanje/isključivanje ⑮
  - uključite/isključite alat pritiskajući prekidač E u "I"/"O" poziciju
  - ! **posle isključivanja, sečivo će rotirati još nekoliko trenutaka**
  - pre nego što ponovo uključite alat, sačekajte da nož za sečenje prestane da se okreće
  - ! **alat se neće pokrenuti ukoliko dugme za pričvršćivanje F nije potpuno pritegnuto**
  - ! **uključivanje i isključivanje nemojte vršiti naglo**
- Zaštita od ponovnog pokretanja
  - posle prekida napajanja, alat se neće sam ponovo pokrenuti
  - upotrebite prekidač E ⑮ da biste ponovo pokrenuli alat
- Zaštita od preopterećenja
  - Preopterećenje (npr. blokiranje noža za sečenje) može dovesti do zaustavljanja alata
  - sačekajte kratko pre ponovnog uključivanja alata
  - ponovo pokrenite alat tako što ćete najpre pritisnuti dugme G ⑮ a zatim i prekidač E ⑮
- Drobljenje ⑯
  - ubacite materijal koji treba usitniti kroz otvor za ubacivanje materijala H
  - ubacite samo onu količinu materijala koja neće blokirati ulazni otvor
  - ! **prilikom sečenja moguće je da materijal veće dužine ošine**
  - ! **moguće je da iz otvora za ubacivanje materijala izleću komadi izdrobljenog materijala**
  - ! **prilikom korišćenja alata nosite zaštitne naočare, zaštitu za sluh i zaštitne rukavice**
  - u drobilicu nemojte ubacivati meki otpad poput kuhinjskog otpada
  - pobrinite se da usitnjeni materijal može slobodno da ispada iz izlaznog otvora C
  - pobrinite se da sabirna vreća ili usitnjeni materijal ne pokrivaju ventilacione otvore J ②
  - izbegavajte blokiranje izlaznog otvora C usitnjenim materijalom jer to može da dovede do trzaja u kretanju materijala kroz otvor za ubacivanje materijala H
- Uklanjanje blokade ⑰
  - ! **isključite alat i iskopčajte ga iz utičnice**
  - odvijte dugme za pričvršćivanje F i otvorite alat kao što je prikazano na slici
  - očistite područje noža (uklonite sabijeni otpad drvenim ili plastičnim oruđem)
  - takođe očistite izlazni otvor C i uklonite sav otpad
  - zatvorite alat i čvrsto pritegnite dugme za pričvršćivanje F
- Okretanje/zamena noža za sečenje ⑱
  - ! **isključite alat i iskopčajte ga iz utičnice**
  - nož za sečenje ima oštricu za sečenje na obe strane; tako da se, ako se jedna strana istupi, može koristiti druga

- zamenite nož za sečenje kad se obe strane istupe (broj SKIL rezervnog dela 2610Z02553, sa oznakom YAT 8231-545201)
- odvijte dugme za pričvršćivanje F i otvorite alat kao što je prikazano na slici
- odvijte oba zavrtnja na nožu pomoću imbus ključa L koristeći metalnu ploču M kao oslonac
- otkrenite i montirajte nož za sečenje kao što je prikazano na slici
- pritegnite oba zavrtnja na nožu pomoću imbus ključa L koristeći metalnu ploču M kao oslonac
- zatvorite alat i čvrsto pritegnite dugme za pričvršćivanje F

## SAVETI ZA PRIMENU

- Da biste postigli najbolje rezultate, sitnite sveže grane brzo posle sečenja
- Koristite čekić K za ubacivanje mekog materijala ⑩
- Sitnite mek baštenski otpad u manjim količinama, posebno ako je mokar
- Sitnjenjem grana uz prekide mogu se izbeći blokade

## ODRŽAVANJE / SERVIS

- Ovaj alat nije namenjen za profesionalnu upotrebu
- Brižljivo održavajte alat i držite ga čistim
  - uvek osigurajte da u ventilacionim otvorima ne bude otpadaka
- ! **pre čišćenja iskopčajte kabl iz utičnice**
- Redovno proveravajte da li ima neispravnosti poput labavog, pomerenog ili oštećenog noža, labavih pričvršćivača i pohabanih ili oštećenih komponenti
- U cilju bezbednosti zamenite pohabane ili oštećene delove
- Izbegavajte savijanje bezbednosne brave N ⑳ jer u protivnom može da dođe do nepravilnog rada alata
- Pre pregleda, podešavanja, servisiranja i/ili skladištenja alata uvek isključite alat, sačekajte da se nož za sečenje zaustavi, izvucite utikač i sačekajte da se alat ohladi
- Alat čuvajte u zatvorenom prostoru, na suvom mestu
- Prilikom servisiranja drobilice imajte na umu da, iako je pokretanje motora onemogućeno zahvaljujući funkciji bezbednosne brave štitnika, drobilicu ipak možete pokrenuti ručno
- Ako bi alat i pored brižljivog postupka izrade i kontrole nekada otkazao, popravku mora vršiti neki autorizovani servis za SKIL-električne alate
  - pošaljite **nerastavljeni** alat zajedno sa potvrdom o kupovini vašem nabavljaču ili najbližem SKIL servisu (adrese i oznake rezervnih delova možete naći na [www.skil.com](http://www.skil.com))

## ZAŠTITA OKOLINE

- **Električne alate, pribora i ambalaže ne odlažite u kućne otpatke** (samo za EU-države)
  - prema Evropskoj direktivi 2012/19/EG o staroj električnoj i elektronskoj opremi i njenoj upotrebi u skladu sa nacionalnim pravom, električni alati koji su istrošeni moraju biti sakupljeni odvojeno i dostavljeni pogonu za reciklažu
  - simbol ⑫ će vas podsetiti na to

## DEKLARACIJA O USKLAĐENOSTI CE

- Izjavljujemo na vlastitu odgovornost da je pod "Tehnički podaci" opisani proizvod usaglašen sa sledećim standardima ili normativnim aktima: EN 60335, EN 13683, EN 61000, EN 55014 prema odredbama smernica 2006/95/EG, 2004/108/EG, 2006/42/EG, 2000/14/EG, 2011/65/EU
- **Tehnička dokumentacija kod:** SKIL Europe BV (PT-SEU/ENG1), 4825 BD Breda, NL

Marijn van der Hoofden      Olaf Dijkgraaf  
Operations & Engineering      Approval Manager

SKIL Europe BV, 4825 BD Breda, NL

19.12.2013

CE11

## BUKA

- Garantovani nivo jačine zvuka LWA, izmeren u skladu sa 2000/14/EG (EN/ISO 3744) niži je od 113 dB(A) (postupak ocene usaglašenosti prema Dodatku V)  
Obavešteno telo : KEMA, Arnhem, NL  
Identifikacioni broj obaveštenog tela : 0344

SLO

## Drobnik

0770

## UVOD

- Orodje ni namenjeno profesionalni uporabi
- To orodje je namenjeno rezanju vlaknastih in lesenih vrtnih odpadkov za kompostiranje
- Preglejte, ali ambalaža vsebuje vse dele, prikazane na skici ②
- V primeru manjkajočih ali okvarjenih delov se obrnite na prodajalca
- Pred uporabo pozorno preberite navodila za uporabo in jih shranite, da jih boste lahko uporabljali tudi v prihodnosti ③
- **Posebno pozornost namenite navodilom in opozorilom o varnosti; če jih ne boste upoštevali, lahko pride do hudih poškodb**

## TEHNIČNI PODATKI ①

- ✳️ Način delovanja S6 (P40 = 40%) označuje profil obremenitve, ki obsega 4 minute obremenitve in 6 minut prostega teka (v praktični uporabi je dovoljeno neprekinjeno delovanje)

## DELI ORODJA ②

- A Ključ (2)
- B Zbiralna vreča
- C Vtičnica
- D Držalo droga za potiskanje
- E Stikalo vklopi/izklopi
- F Gumb za pritrditve
- G Gumb za ponovni zagon

- H Odprtina za dovajanje
- J Ventilacijske reže
- K Drog za potiskanje
- L Imbus plošč
- M Kovinska plošča
- N Varnostno zaklepanje

## VARNOST

### POSEBNA VARNOSTNA NAVODILA ZA DROBILNIKE

#### POJASNILO OZNAK NA ORODJU

- ③ **Pred uporabo preberite navodila za uporabo**
- ④ **Orodje izklopite in izvlecite električni vtič iz vtičnice pred postopkom čiščenja/vzdrževanja, ali če je kabel (podaljšek) poškodovan ali se zaplete**
- ⑤ **NEVARNOST** Vrteči se noži; ko orodje deluje, imejte roke na varni razdalji od odprtini
- ⑥ **Bodite pozorni na nevarnost, ki jo povzročajo izvrženi ostanki** (navzoče osebe naj bodo na varni razdalji od delovnega območja)
- ⑦ Preden se dotaknete katerega koli premikajočega se dela orodja, počakajte, da se v celoti ustavi
- ⑧ Nosite zaščitne rokavice
- ⑨ Uporabljajte zaščitna očala in zaščito sluha
- ⑩ Orodja ne izpostavljajte dežju
- ⑪ Dvojna izolacija (ozemljitveni kabel ni potreben)
- ⑫ Orodja ne odstranjujte s hišnimi odpadki
- ⑬ Vtiči in vtičnice poleg delovnega mesta ali na prostem morajo imeti zaščito razreda IP X4 po standardu BS 5490, da je zagotovljena primerna zaščita pred vdorom vode itd., vstopi kablov pa morajo biti ustrezno zatesnjeni

#### SPLOŠNO

- To orodje ni namenjeno uporabi s strani oseb (vključujoč tudi otroke) z zmanjšanimi fizičnimi, senzoričnimi ali mentalnimi sposobnostmi, oz. s premalo izkušenj ali znanja, edino, če slednji niso bili primerno usposobljeni iz inštruirani za uporabo tovrstnega orodja, s strani osebe, ki je odgovorna za njihovo varnost
- Zagotovite, da se otroci ne bodo igrali z orodjem
- Seznanite se z upravljanjem in pravilno uporabo orodja
- Preprečite uporabo orodja otrokom ali osebam, ki niso seznanjene z navodili za njegovo uporabo (krajevni predpisi lahko vključujejo omejitve glede starosti upravljavca)
- Orodja ne uporabljajte v neposredni bližini oseb; orodje prenehajte uporabljati, če so v bližini osebe (zlasti otroci) ali domači ljubljenci
- Uporabnik je odgovoren za nezgode ali tveganja za druge osebe ali njihovo lastnino
- Vsa varovala in zaščite imejte nameščene in v dobrem stanju
- Vedno izklopite orodje, počakajte, da se nož ustavi, in izvlecite vtič
  - če pustite orodje nenadzorovano
  - preden očistite zagozdeni material
  - pred preverjanjem ali čiščenjem orodja ali opravljanjem posegov na njem
- ! **pred vgradnjo ali odstranjenjem zbiralne vreče**

#### ELEKTRIČNA VARNOST

- Vedno preverite, če je napetost omrežja enaka napetosti, ki je navedena na tablici orodja
- Periodično preverjajte kabla in naj ga zamenja strokovnjak v primeru poškodbe

- Redne pregledujte podaljšek kabla, poškodovane podaljške pa menjajte (**uporaba neustreznega podaljška je lahko nevarna**)
- Pri uporabi orodja v vlažnem okolju uporabite zaščitno napravo na diferenčni tok z občutljivostjo toka največ 30 mA
- Uporabljajte samo kabelske podaljške tipa H05VV-F ali H05RN-F za zunanjo uporabo, opremljene z vtičem in vtičnico, ki sta odporna proti vlagi
- Vselej izklopite orodje in izvlecite električni vtič iz vtičnice, če je napajalni kabel ali podaljšek prerezan, poškodovan, ali če se zaplete (**kabla se ne dotikajte, dokler ne izvlečete vtiča iz vtičnice**)
- V izogib nevarnostim lahko okvarjeni napajalni kabel nadomestijo izključno v servisnem centru podjetja SKIL
- Uporabljajte povsem iztegnjene in varne električne podaljške, z jakostjo 16 amperov
- Kabel (podaljšek) zaščitite pred vročino, oljem in ostrimi robovi
- Ne vozite čez kabel (podaljška) in ga ne zvijajte ali vlecite
- Uporabljajte zgolj podaljške dolžine največ 20 metrov (preseka 1,5 mm<sup>2</sup>) ali 50 metrov (preseka 2,5 mm<sup>2</sup>)

#### OSEBNA VARNOST

- Orodja ne upravljajte bos, ali če imate obute odprte sandale; pri delu z orodjem imejte vselej obuto odporno obutev in oblačene dolge hlače
- Izognite se nošnji ohlapnih in slabo prilagajajočih se oblačil, visečim kablom in vezem
- Orodje uporabljajte izključno na prostem (ne preblizu zidu ali drugih trdnih predmetov) in na trdni vodoravni površini
- Shranjujte orodje **v zaprtem prostoru** na suhem mestu in izven dosega otrok

#### PRED UPORABO

- Preverite, ali so pravilno pritrjeni vsi vijaki, matice in drugi pritrdilni elementi ter da so nameščena varovala in zaslani

- Poskrbite, da je dovod prazen

#### MED UPORABO

- Obraza in telesa ne približujte odprtini dovoda
- Dlani (ali drugega dela telesa) in oblačil ne pustite vstopiti v odprtino dovoda, odprtino odvoda ali v bližino premikajočih se delov
- Vedno pazite na potrebno ravnotežje in podlago; ne segajte predaleč
- Pri dovajanju materiala nikoli ne stojte više od podstavka orodja
- Pri uporabi orodja bodite vedno pravilno oddaljeni od odvoda
- Ko v orodje dovajate material, bodite izredno pazljivi, da ne dovodete kovov kovine, kamenja, steklenic, pločevink in drugih tujkov
- Če rezalni mehanizem udari ob tujek ali če začne orodje oddajati neobičajen hrup ali tresljaje, ga takoj izklopite, počakajte, da se nož ustavi, odklopite vtič in opravite naslednje ukrepe
  - pregledajte, ali je orodje poškodovano
  - poškodovane dele zamenjajte ali popravite
  - preverite in zategnite morebitne slabo pritrjene dele
- Ne dovolite, da bi se obdelani material nabral v območju odvoda; to lahko prepreči pravilno odvajanje, kar lahko povzroči izmet materiala skozi odprtino dovoda
- Če se orodje zamaši, ga izklopite, počakajte, da se nož ustavi, in izvlecite vtič, preden odstranite ovire

- Reže za hlajenje motorja varujte pred umazanijo in drugim tujki, da preprečite škodo ali morebiten požar na motorju
- Orodja ne nagibajte ali prevažajte, dokler motor deluje

## UPORABA

- Navodila za sestavljanje <sup>(14)</sup>
  - kolesa vgradite z dvema priloženima ključema A in sestavite orodje, kot kaže slika
  - namestite zbiralno vrečo B pod odvodom C
  - namestite držalo droga za potiskanje D
- Vklp/izklp <sup>(15)</sup>
  - vklopite/izklopite orodje s premikom stikala E v položaj "I"/"O"

**! po izklopu orodja se njegovo rezilo še nekaj časa vrtili**

- pred ponovnim vklopom počakajte, da se nož preneha vrteti

**! orodje se ne bo zagnalo, če ne zategnete pritrilnega gumba F**

**! hitra vklop in izklp orodja nista dovoljena**

- Zaščita pred ponovnim zagonom
  - po izpadu napajalne napetosti se orodje ne bo zagnalo znova samo od sebe
  - za ponovni zagon orodja uporabite stikalo E <sup>(15)</sup>
- Zaščita pred preobremenitvijo
 

Preobremenitev (npr. zatikanje rezila) lahko povzroči ustavitve orodja

  - pred ponovnim vklopom orodja počakajte kratek čas
  - orodje znova zaženete tako, da najprej pritisnete gumb G <sup>(15)</sup> in nato stikalo E <sup>(15)</sup>

- Drobljenje <sup>(16)</sup>
  - material za drobljenje podajte v odprtino dovoda H
  - vstavite le toliko materiala, da se odprtina dovoda ne zamaši

**! daljši material lahko pri rezanju udari nazaj**

**! iz odprtine dovoda lahko odletijo majhni kosi zdrobljenega materiala**

**! pri uporabi orodja uporabljajte zaščitna očala, zaščito za sluh in zaščitne rokavice**

- v drobilnik ne dajate mehkih odpadkov, kot so kuhinjski odpadki
- poskrbite, da lahko zdrobljeni material prosto pade iz odvoda C
- poskrbite, da rež za zračenje J <sup>(2)</sup> ne prekrijete z zbiralno vrečo ali razsekanim materialom
- izogibajte se blokiranju odvoda C z zdrobljenim materialom, saj bi to lahko povzročilo izmet materiala skozi odprtino dovoda H
- Odstranjevanje zamašitve <sup>(17)</sup>

**! izklopite orodje in izvlecite vtiak iz vtičnice**

- popustite pritrilni gumb F in odprite orodje, kot kaže slika
- očistite območje noža (zbite odpadke odstranite z lesenim ali plastičnim pripomočkom)
- prav tako odstranite odpadke iz odvoda C
- zaprite orodje in dobro zategnite pritrilni gumb F
- Obračanje/menjava noža <sup>(18)</sup>

**! izklopite orodje in izvlecite vtiak iz vtičnice**

- nož ima rezilo na obeh straneh; če ena stran otopi, lahko uporabite drugo stran
- nož zamenjajte, ko otopi na obeh straneh (številka nadomestnega dela SKIL 2610Z02553, oznaka YAT 8231-545201)

- popustite pritrilni gumb F in odprite orodje, kot kaže slika
- popustite oba vijaka noža s ključem imbus L, za podporo pa uporabite kovinsko ploščo M
- nož obrnite in vgradite, kot kaže slika
- zategnite oba vijaka noža s ključem imbus L, za podporo pa uporabite kovinsko ploščo M
- zaprite orodje in dobro zategnite pritrilni gumb F

## UPORABNI NASVETI

- Za najboljše rezultate zdrobite sveže veje kmalu po rezanju
- Drug za potiskanje K uporabite za podajanje mehkega materiala <sup>(19)</sup>
- Mehke vrtno odpadke drobite v manjših količinah, zlasti če so mokri
- Zamašitve lahko preprečite z občasnim drobljenjem vej

## VZDRŽEVANJE/SERVISIRANJE

- Orodje ni namenjeno profesionalni uporabi
- Orodje skrbno vzdržujte in čistite
  - vselej se prepričajte, da v prezračevalnih odprtinah ni ostankov
- **! izvlecite vtiak iz vtičnice pred čiščenjem**
- Redno preverjajte, ali so prisotne pomanjkljivosti, na primer slabo pritrjen, premaknjen ali poškodovan nož, ohlapne pritrditve in obrabljeni ali poškodovani deli
- Obrabljene ali poškodovane dele zaradi varnosti zamenjajte
- Izogibajte se upogibanju varnostne ključavnice N <sup>(20)</sup>, saj to lahko povzroči nepravilno delovanje orodja
- Vedno izklopite orodje, počakajte, da se nož ustavi, izvlecite vtič in počakajte, da se orodje ohladi, preden ga pregledate, nastavite, servisirate in/ali shranite
- Orodje shranjujte na suhem in pokritem mestu
- Pri servisiranju drobilnika se zavedajte, da se motor ne bo zagnal zaradi varnostne ključavnice na varovalu, vseeno pa lahko drobilno enoto premaknete z roko
- Če bi kljub skrbnim postopkoma izdelave in preizkušanja prišlo do izpada delovanja orodja, naj popravilo opravi servisna delavnica, pooblaščen za popravila SKILevih električnih orodij
  - pošljite **nerazstavljeno** orodje skupaj s potrdilom o nakupu pri vašemu prodajalcu v najbližjo SKIL servisno delavnico (naslovi, kot tudi spisek rezervnih delov se nahajajo na [www.skil.com](http://www.skil.com))

## OKOLJE

- **Električnega orodja, pribora in embalaže ne odstranjujte s hišnimi odpadki** (samo za države EU)
  - v skladu z Evropsko direktivo 2012/19/EG o odpadnih električni in elektronski opremitvi in z njenim izvajanjem v nacionalni zakonodaji je treba električna orodja ob koncu njihove življenjske dobe ločeno zbirati in jih predati v postopek okolju prijaznega recikliranja
  - ko je potrebno odstranjevanje, naj vas o načinu spomni simbol <sup>(12)</sup>

## IZJAVA O SKLADNOSTI CE

- Izjavljamo pod izključno odgovornostjo, da proizvod pod "Tehnični podatki" ustreza naslednjim standardom oz. standardiziranim dokumentom: EN 60335, EN 13683, EN 61000, EN 55014 v skladu z določili direktiv 2006/95/ES, 2004/108/ES, 2006/42/ES, 2000/14/ES, 2011/65/EU
- Tehnična dokumentacija se nahaja pri:**  
SKIL Europe BV (PT-SEU/ENG1), 4825 BD Breda, NL

Marijn van der Hoofden  
Operations & Engineering

Olaf Dijkgraaf  
Approval Manager

SKIL Europe BV, 4825 BD Breda, NL

19.12.2013

CE11

### HRUP

- Zagotovljeni ravni zvočne moči in zvočnega tlaka (LWA), izmerjeni skladno z direktivo 2000/14/ES (EN/ISO 3744) sta manjši od 113 dB(A) (postopek ocene skladnosti izdelka je bil opravljen ustrezno prilogi V)
- Priglašeni organ: KEMA, Arnhem, NL
- Identifikacijska številka priglašene organa: 0344

EST

Purusti

0770

## SISSEJUHATUS

- Tööriist pole mõeldud professionaalseks kasutamiseks
- Tööriist on mõeldud komposti minevate kiulise ja puidusisaldusega aiandusjääkide purustamiseks
- Kontrollige, kas pakend sisaldab kõiki joonisel ② näidatud osi
- Kui komplektist puudub mõni osa, võtke ühendust kohaliku edasimüüjaga
- Enne seadme kasutamist lugege kasutusjuhend hoolikalt läbi ja hoidke see edaspidiseks alles ③
- Pöörake tähelepanu ohutusjuhistele ja hoiatustele; nende eiramine võib põhjustada raskeid vigastusi**

## TEHNILISED ANDMED ①

- \* Töörežiim S6 (P40 = 40%) tähistab koormusprofiili, mida iseloomustab 4 min koormust ja 6 min tühikäiku (praktiliseks kasutuseks on lubatud püsirežiim)

## SEADME OSAD ②

- A Lehtvõti (2)
- B Kogumiskott
- C Väljalaskeava
- D Surumisvahendi hoidik
- E Tööüliliti (sisse/välja)
- F Kinnitusnupp
- G Taaskäivitusnupp
- H Söötmisava
- J Ohutusavad

- K Surumisvahend
- L Kuuskantvõtme
- M Metallplaat
- N Kaitseelukk

## OHUTUS

### PURUSTITE KOHTA KÄIVAD SPETSIIFILISED OHUTUSJUHISED

#### TÖÖRIISTAL OLEVATE SÜMBOLITE SELGITUS

- ③ Enne kasutamist tutvuge kasutusjuhendiga
- ④ Lülitage seade välja ja ühendage lahti pistik enne seadme puhastamist/hooldamist või juhul, kui toite- või pikendusjuhe on saanud kahjustada või sõlme läinud
- ⑤ **ETTEVAATUS!** Pöörlevad löiketerad; tööriistaga töötamisel hoidke käed avadest eemal
- ⑥ **Pöörake tähelepanu vigastusohule, mida põhjustab lendav praht** (hoidke kõrvalseisjad tööalast ohutus kauguses)
- ⑦ Enne nende katsumist oodake, kuni kõik liikuvad osad on täielikult seiskunud
- ⑧ Kandke kaitsekindaid
- ⑨ Kandke kaitseprille ja kõrvaklappe
- ⑩ Ärge jätke tööriista vihma kätte
- ⑪ Topeltisolatsioon (maandusjuhe pole vajalik)
- ⑫ Ärge visake kasutuskõlbmatuks muutunud tööriista ära koos olmejäätmetega
- ⑬ Tööalal või välistingimustes kasutatavad pistikud ja pistikupesad peavad vastama standardi BS 5490 klassi IP X4 tingimustele, et võimaldada piisavat kaitset niiskuse jm eest; kaablite sisenemis- ja väljumiskohad peavad olema tihendatud

#### ÜLDIST

- Seade ei ole mõeldud kasutamiseks isikutele (sh lastele), kellel on puudulikud füüsilised, sensoorsed või vaimsed võimed või kellel puudub kogemus ja teadmised, välja arvatud juhul, kuid nad töötavad nende ohutuse eest vastutava isiku järelevalve või juhendamise all
- Kindlustage, et lapsed ei mängiks seadmega
- Tutvuge juhisseadmete ja seadme nõuetekohase kasutamiseega
- Ärge lubage kunagi kasutada tööriista lastel või inimestel, kes pole tutvunud selle kasutusjuhistega (kohalikud seadused võivad seade piirangud kasutaja vanusele)
- Ärge kasutage tööriista inimeste vahetus läheduses; inimeste (eriti laste) ja loomade läheduses lõpetage tööriista kasutamine
- Kasutaja vastutab õnnetuste ja teiste inimeste või nende vara ohustamise eest
- Veenduge, et kõik kaitse ja katted on paigaldatud ja heas korras
- Alati lülitage tööriist välja, oodake löiketera seiskumist ja eraldage toitepistik
  - kui jätate seadme järelevalveta
  - enne ummistuste eemaldamist
  - enne seadme kontrollimist, puhastamist või hooldamist
- ! enne kogumiskoti paigaldamist või eemaldamist**



## ELEKTROHUTUS

- Kontrollige alati, kas võrgupinge ühtib tööriista andesildil toodud pingega
- Kontrollige juhete regulaarselt ja laske kahjustatud juhe ilmnenisel vastava kvalifikatsiooniga isikul välja vahetada
- Kontrollige pikendusjuhet regulaarselt ja kui juhe on vigastatud, vahetage see välja (**mittevastavad pikendusjuhtmed võivad olla ohtlikud**)
- Kui kasutate tööriista niiskes keskkonnas, kasutage rikkevoolukaitset (RCD), mille rakendusvool on maksimaalselt 30 mA
- Kasutage üksnes välitingimustes kasutamiseks ette nähtud H05VV-F või H05RN-F tüüpi pikendusjuhet, mis on varustatud veekindla pistikupesaga
- Lülitage alati seade välja ja ühendage see vooluvõrgust lahti, kui toitejuhe või pikendusjuhe on läbilõigatud, kahjustatud või sõlme läinud (**ärge puudutage juhete enne pistiku lahti ühendamist**)
- Kahjustatud toitejuhe tuleb ohu vältimiseks vahetada ainult SKLi lepingulises töökojas
- Pikendusjuhtmete kasutamisel jälgige, et juhe oleks lõpuni lahti keritud ja vastaks 16 A voolutugevusele
- Hoidke (pikendus)juhe eemal kuumusest, õlidest ja teravatest servadest
- Ärge komistage (pikendus)juhtme otsa, muljuge ega venitage seda
- Kasutage ainult kuni 20 meetri (1,5 mm<sup>2</sup>) või kuni 50 meetri (2,5 mm<sup>2</sup>) pikkuseid pikendusjuhtmeid

## INIMESTE TURVALISUS

- Ärge kasutage niidukit paljajalu või lahtiste sandaalidega, kandke alati tugevaid jalanõusid ja pikki pükse
- Ärge kandke liiga suuri ja lodevaid ning paelte ja muude lahtiste osadega rõivaid
- Kasutage tööriista üksnes avaras kohas (mitte seinale või muudele esemetele liiga lähedal) ja kindlal tasasel pinnal
- Hoidke seadete **sisetingimustes**, kuivas ja suletud kohas, lastele kättesaamatult

## ENNE KASUTAMIST

- Veenduge, et kõik kruvid, mutrid, poldid ja muud kinnitusdetailid on korralikult kinni ning kaitsed ja katted paigaldatud
- Veenduge, et söötmissava on tühi

## KASUTAMISE AJAL

- Hoidke nägu ja kehaosad söötmissavast eemal
- Veenduge, et käed (ja muud kehaosad) ega riided ei satu söötmiss-, väljalaskeavasse ega mis tahes liikuvate osade lähedale
- Seiske kindlalt ja säilitage tasakaalu; haare peab olema kindel
- Materjalide söötmisel tuleb seista masinaga ühel tasapinnal
- Masina kasutamisel olge väljalaskeavast piisavas kauguses
- Masinasse materjali söötmisel veenduge, et see ei sisalda metalliosakesi, kive, pudeleid, purke või teisi võõrkehki
- Kui lõikemehhanismist lendavad välja võõrkehad või märkate ebatavalist müra või vibratsiooni, lülitage masin viivitamatult välja, laske lõiketeral seiskuda, eraldage toitepistik ja järgige alltoodud samme
  - kontrollige, kas seade on kahjustatud
  - asendage või parandage katkised osad
  - otsige lahtiseid osi ja keerake need kinni

- Ärge laske töödeldud materjalil väljalaskeava juurde kuhjuda; see võib takistada materjali õiget väljastamist, mille tagajärjel võib materjal söötmissavasse tagasi liikuda
- Kui masin on ummistunud, siis kõigepealt lülitage see välja, laske lõiketeral seiskuda ja eraldage toitepistik
- Mootoririkke ja tulekahju ohu vältimiseks hoidke mootori jahutusavad jääkmaterjalidest ja muust prahest puhtad
- Mootori töötamisel on masina kallutamine ja transportimine keelatud

## KASUTAMINE

- Paigaldusjuhised <sup>(14)</sup>
  - kasutage komplektis olevat kaht A mutrivõtit ja paigaldage rattad joonisel kujutatud viisil
  - paigaldage kogumiskott B väljalaskeava alla C
  - kinnitage surumisvahend D
- Sisse/välja <sup>(15)</sup>
  - tööriista sisse-/väljalülitamiseks viige lüliti E asendisse "I"/"O"
  - ! pärast tööriista väljalülitamist jätkab tera paari sekundi vältel liikumist
  - enne masina uuesti käivitamist võimaldage lõiketeral seisma jääda
  - ! masin ei käivitu enne kinnitusnupu F täielikku kinni keeramist
  - ! ärge lülitage tööriista kiiresti sisse ja välja
- Taaskäivituskaitse
  - pärast toitetõrget ei taaskäivitu masin iseenesest
  - tööriista taaskäivitamiseks kasutage lüliti E <sup>(15)</sup>
- Ülekoormuskaitse  
Ülekoormus (nt lõiketera blokeerumine) võib põhjustada tööriista seiskumise
  - enne masina uuesti sisselülitamist oodake natuke
  - tööriista taaskäivitamiseks vajutage kõigepealt nuppu G <sup>(15)</sup> ja seejärel lüliti E <sup>(15)</sup>
- Purusti <sup>(16)</sup>
  - lükake purustamiseks mõeldud materjal masina söötmissavast H sisse
  - ülekoormuse vältimiseks sisestage söötmissavasse materjali vähehaaval
  - ! pikemat sorti materjali purustamisel tuleb olla ettevaatlik
  - ! söötmissavast võivad välja lennata purustatud materjali väikesed osakesed
  - ! masinaga töötamisel tuleb kasutada kaitseprille, -kõrvaklappe ja -kindaid
  - purustit ei tohi kasutada pehmet sorti materjali (kõõgijäätmed) töötlemiseks
  - veenduge, et purustatud materjali eraldumine väljalaskeavast C pole takistatud
  - veenduge, et kogumiskott või purustatud materjal ei kata kinni ventilatsiooniavasid J <sup>(2)</sup>
  - purustatud materjal ei tohi väljalaskeava C blokeerida, sest see võib põhjustada materjali tagasilöögi sööteavasse H
- Takistuse eemaldamine <sup>(17)</sup>
  - ! lülitage seade välja ja eemaldage pistik pistikupesast
  - vabastage kinnitusnupp F ja avage masin joonisel kujutatud viisil
  - puhastage lõiketera ala (eemaldage kuhjunud praht puidust või plastist abivahendiga)

- samuti tehke väljalaskeava C prahist puhtaks
- sulgege masin ja keerake kinnitusnupp F korralikult kinni
- Lõiketera pööramine/vahetamine 18
- ! **lülitage seade välja ja eemaldage pistik pistikupesast**
- lõiketeral on lõikepind mõlemal poolel; kui üks pool on nürri, saab kasutada teist
- asendage lõiketera, kui mõlemad pooled on nürri (SKIL-i asendusosa number 2610Z02553, märgitud YAT 8231-545201)
- vabastage kinnitusnupp F ja avage masin joonisel kujutatud viisil
- keerake tera mõlemad poldid võtmega L lahti ja kasutage metallplaati M toena
- pöörake lõiketera ringi ja paigaldage see joonisel kujutatud viisil
- keerake tera mõlemad poldid võtmega L kinni ja kasutage metallplaati M toena
- sulgege masin ja keerake kinnitusnupp F korralikult kinni

## TÖÖJUHISED

- Parima tulemuse saavutamiseks purustage oksid koho pärast lõikamist, kui need on veel värsked
- Pehme materjali purustamiseks kasutage surumisvahendit K 19
- Purustage pehmeid aiapääliseid (eriti niiskeid) vähehaaval
- Ummistusi saab vältida, kui lisate sekka ka oksid

## HOOLDUS/TEENINDUS

- Tööriist pole mõeldud professionaalseks kasutamiseks
- Hooldage masinat korralikult ja hoidke see puhtana
  - veenduge alati selles, et ventileerimisavad on prahist vabad
- ! **enne puhastamist eemaldage seade vooluvõrgust**
- Kontrollige regulaarselt, kas tera on lahti tulnud, nihkunud või vigastatud, mõni kinnitusdetaili lahti pööratud või osa saanud
- Ohutuse tagamiseks laske kulunud või vigastatud osad välja vahetada
- Vältige kaitseluku N 20 väänamist, sest see võib põhjustada masina väärtalust
- Enne masina kontrollimist, reguleerimist, hooldust ja/või hoiundamist lülitage see alati välja, laske lõiketeral seiskuda, eraldage toitepistik ja jätke masin jahtuma
- Hoiustage seadet siseruumis kuivades tingimustes
- Enne masina hooldamist tuleb teada, et kuigi mootor ei saa kaitseluku tõlde käivituda, on purustusüksust võimalik käega liigutada
- Tööriist on hoolikalt valmistatud ja testitud; kui tööriist sellest hoolimata rikki läheb, tuleb see lasta parandada SKIL-i elektriliste käsitööriistade volitatud remonditöökojas
  - toimetage **lahtrimonteerimata** seade koos ostukviitungiga tarnijale või lähimasse SKIL-i lepingulisse töökohta (aadressid ja tööriista varuosade joonise leiate aadressil [www.skil.com](http://www.skil.com))

## KESKKOND

- **Ärge visake kasutuskõlbmatuks muutunud elektrilisi tööriistu, lisatarvikuid ja pakendeid ära koos olmejäätmetega** (üksnes EL liikmesriikidele)
  - vastavalt Euroopa Parlamendi ja nõukogu direktiivile 2012/19/EÜ elektri- ja elektroonikaseadmete jäätmete kohta ning direktiivi nõuete kohaldamisele liikmesriikides tuleb kasutuskõlbmatuks muutunud elektrilisi tööriistu koguda eraldi ja keskkonnasäästlikult korduvkasutada või ringlusse võtta
  - seda meenutab Teile sümbol 12

## VASTAVUSDEKLARATSIOON CE

- Kinnitame ainuvastutajana, et punktis "Tehnilised andmed" kirjeldatud toode vastab järgmistele standarditele või normdokumentidele: EN 60335, EN 13683, EN 61000, EN 55014 vastavalt direktiivide 2006/95/EÜ, 2004/108/EÜ, 2006/42/EÜ, 2000/14/EÜ, 2011/65/EL nõuetele
- **Tehniline toimik saadaaval aadressil:** SKIL Europe BV (PT-SEU/ENG1), 4825 BD Breda, NL

Marijn van der Hoofden  
Operations & Engineering

Olaf Dijkgraaf  
Approval Manager




SKIL Europe BV, 4825 BD Breda, NL

19.12.2013

CE11

## MÜRA

- Garanteeritud müratase LWA, mis on mõeldud vastavalt standardile 2000/14/EÜ (EN/ISO 3744) on väiksem kui 113 dB(A) (vastavuse hindamise meetod vastavalt lisale V)
- Registreeritud asutus: KEMA, Arnhem, NL
- Registreeritud asutuse identifitseerimisnumber: 0344

LV

## Smalcinātājs

0770

## IEVADS

- Šis instruments nav paredzēts profesionālai lietošanai
- Šis instruments ir paredzēts kompostēšanai izmantojuma šķiedrainu un kokainu dārza atkritumu smalcināšanai
- Pārbaudiet vai iepakojums satur visas daļas, kā tas parādīts zīmējumā 2
- Ja kāda no plāvēja daļām trūkst vai ir bojāta, lūdzu, sazinieties ar savu izplatītāju
- Pirms lietošanas rūpīgi izlasiet šos norādījumus un saglabājiet to vēlākai uzziņai 3
- **Stingri ievērojiet drošības instrukcijas un brīdinošos norādījumus, jo pretējā gadījumā jūs riskējat gūt smagu savainojumu**

## TEHNISKE PARAMETRI ①

- \* Darba režīms S6 (P40 = 40%) nozīmē, ka instruments 4 minūtes tiek darbināts ar slodzi un 6 minūtes darbojas tukšgaitā (praksē ir pieļaujama instrumenta nepārtraukta darbība)

## INSTRUMENTA ELEMENTI ②

- A Uzgriežņu atslēga (2)
- B Savākšanas maiss
- C Izvade
- D Zondes turētājs
- E Ieslēdzējs
- F Drošības svira
- G Ieslēgšanas poga
- H Padeves atvere
- J Ventilācijas atveres
- K Zonde
- L Sešstūra stienatslēga
- M Metāla plāksne
- N Drošības atslēga

## DROŠĪBA

### ĪPAŠI DROŠĪBAS NORĀDĪJUMI SMALCINĀTĀJIEM

#### UZ INSTRUMENTA ATTĒLOTO SIMBOLU SKAIDROJUMS

- ③ **Pirms izstrādājuma lietošanas izlasiet tā lietošanas pamācību**
- ④ **Izslēdziet instrumentu un atvienojiet kontaktdakšu pirms tīrīšanas/apkopes vai ja (pagarinājuma) vads ir bojāts vai sapinies**
- ⑤ **BĪSTAMI** Rotējoši asmeņi; netuviniet rokas atverēm instrumenta darbības laikā
- ⑥ **Pievērsiet uzmanību savainošanās briesmām, ko rada apkārtliedzošās atdalījušās daļiņas** (klātesošajiem jāatrodas drošā attālumā no darba zonas)
- ⑦ Nogaidiet, līdz visas kustīgās detaļas ir pilnībā apstājušās, pirms pieskaraties tām
- ⑧ Darba laikā uzvelciet aizsargcimdus
- ⑨ Darba laikā uzvelciet aizsargbrilles un ausu aizsargus
- ⑩ Neatstājiet instrumentu lietū
- ⑪ Divkārsa izolācija (nav jālieto zemējuma vads)
- ⑫ Neizmetiet nolietoto instrumentu sadzīves atkritumu tvertnē
- ⑬ Kontaktspraudņiem un kontaktlīdždām, kas atrodas darba vietas tuvumā vai ārpus telpām, jāatbilst BS 5490 klasei IP X4, lai nodrošinātu pietiekamu aizsardzību pret ūdens iekļūšanu u.c., un kabeļu atvērumiem ir nepieciešams atbilstošs blīvējums

#### VISPĀRĒJIE DROŠĪBAS NOTEIKUMI

- Šis instruments nav paredzēts ekspluatēt personām (tostarp bērniem) ar ierobežotām fiziskām, uztveres vai garīgām spējām, kā arī tiem, kuriem nav vajadzīgās pieredzes un zināšanu, ja vien persona, kas atbild par drošību, viņus neuzrauga vai nesniedz norādījumus par šī instrumenta lietošanu
- Uzmaniet, lai bērni nespēlētos ar šo instrumentu
- Iepazīstieties ar instrumenta vadību un pareizu lietošanu

- Neļaujiet bērniem vai personām, kas nav iepazinušas ar lietošanas instrukcijām, izmantot šo instrumentu (vietējā likumdošana var ierobežot lietotāja vecumu)
- Nedarbiniet instrumentu, ja tiešā tuvumā ir personas; pārtrauciet lietot instrumentu, kamēr tuvumā ir personas (īpaši bērni) vai mājdzīvnieki
- Lietotājs ir atbildīgs par negadījumiem vai apdraudējumiem, kas notiek ar citiem cilvēkiem vai viņu mantu
- Glabājiet visus aizsargus un deflektorus tiem paredzētajās vietās, un uzturiet tos labā darba stāvoklī
- Vienmēr izslēdziet instrumentu, ļaujiet griešanas asmenim apstāties un atvienojiet kontaktspraudni
  - kad atstājat instrumentu bez uzraudzības
  - pirms iesprūduša materiāla tīrīšanas
  - pirms pārbaudes, tīrīšanas vai darbībām ar instrumentu
- ! pirms savākšanas maisa uzstādīšanas vai noņemšanas**

#### ELEKTRODROŠĪBA

- Vienmēr pārliecinieties, ka spriegums, kas uzrādīts uz instrumenta marķējuma plāksnītes, atbilst padeves spriegumam elektrotīklā
- Periodiski pārbaudiet kabeli un, atklājot bojājumus, tā nomaiņu drīkst veikt tikai pieredzējis speciālists
- Periodiski pārbaudiet pagarinātāja vadu un nomainiet to, ja tas bojāts (**nepiemērots pagarinājuma vads var būt bīstams**)
- Kad darbarbā darbojas mitrā vidē, lietojiet strāvas noplūdes drošinātāju (RCD) ar 30 mA maksimālo atslēgšanas strāvu
- Izmantojiet tikai H05VV-F vai H05RN-F tipu pagarinātāja vadu, kas ir paredzēts izmantošanai ārpus telpām un aprīkots ar ūdensizturīgu kontaktspraudni un savienošanas kontaktlīdžu
- Vienmēr izslēdziet instrumentu un atvienojiet kontaktdakšu no strāvas avota, ja barošanas vads vai pagarinātājs ir sagriezti, bojāti vai sapinušies (**nepieskarieties kabeli pirms atvienota kontaktdakša**)
- Lai izvairītos no riska, bojātu strāvas vadu drīkst nomainīt tikai SKIL pilnvarotā elektroinstrumentu remonta darbnīcā
- Lietojiet pilnīgi atīttus un drošus pagarinātājkabeļus, kas paredzēti 16 A strāvai
- Sargājiet (pagarinājuma) vadu no karstuma, eļļas un asām apmalēm
- Nedrīkst (pagarinājuma) vadam braukt pāri, nedrīkst to saspīest vai izvilkīt
- Izmantojiet tikai pagarinājuma auklas ar maksimālo garumu 20 metri (1,5 mm<sup>2</sup>) vai 50 metri (2,5 mm<sup>2</sup>)

#### PERSONISKĀ DROŠĪBA

- Nelietojiet instrumentu, ja esat basām kājām vai valkājat atvērtas sandales, vienmēr valkājiet stingrus apavus un garās bikses
- Izvairieties no vaļīga apģērba valkāšanas, kā arī vaļīgiem vadiem un saitēm
- Darbiniet instrumentu tikai atvērtā telpā (ne pārāk tuvu sienai vai citiem cietiem priekšmetiem) uz cietas, līdzenas virsmas
- Uzglabājiet instrumentu **telpās** sausā, augstu izvietotā vietā, kur tas nav pieejams bērniem

## PIRMS DARBA UZSĀKŠANAS

- Pārlicinieties, ka visas skrūves, bultskrūves, uzgriežņi un citi stiprinājuma materiāli ir atbilstoši nostiprināti un aizsargi un aizslietņi atrodas tiem paredzētajās vietās
- Pārlicinieties, ka padeves atvere ir tukša

## DARBA LAIKĀ

- Netuviniet seju vai ķermeņa padeves atveri
- Izvairieties no roku (vai citu ķermeņa daļu) vai apģērba iekļūšanas padeves atverē, izvades atverē vai citu kustīgu detaļu tuvumā
- Vienmēr saglabājiet līdzsvaru un stabilu stāvokli; neliecieties pāri
- Nekad materiāla padeves laikā nestāviet augstāk par instrumenta pamatni
- Vienmēr instrumenta darbības laikā ieturiet atbilstošu distanci līdz izvades zonai
- Materiāla padeves laikā esiet īpaši piesardzīgs un uzmanieties, lai instrumentā kopā ar pārstrādājamo materiālu neiekļūst metāla gabali, akmeņi, bundžas vai citi svešķermeņi
- Ja griešanas mehānisms nonāk saskarsmē ar jebkādu svešķermeņi vai instruments sāk izdalīt neparastus trokšņus vai vibrācijas, nekavējoties izslēdziet to, ļaujiet griešanas asmenim apstāties, atvienojiet kontaktspraudni un veiciet sekojošās darbības
  - pārbaudiet, vai nav radušies bojājumi
  - nomainiet vai saremontējiet bojātās daļas
  - pārbaudiet un nostipriniet vaļīgas daļas
- Neļaujiet apstrādātajam materiālam uzkrāties izvades zonā; tas var traucēt pareizu izlādi, kā rezultātā materiāls var tikt izvadīts ārā cauri padeves atverei
- Ja instruments aizsērē, pirms netīrumu tīrīšanas izslēdziet to, ļaujiet griešanas asmenim apstāties un atvienojiet kontaktspraudni
- Lai izvairītos no motora bojājumiem vai ugunsgrēka riska, nodrošiniet, lai motora dzesēšanas atverēs neiekļūtu un neuzkrātos netīrumi
- Nenolieciet vai netransportējiet instrumenta, kamēr darbojas tā motors

## DARBS

- Montāžas norādījumi <sup>14</sup>
  - uzstādiēt riteņus, izmantojot abas komplektācijā iekļautās uzgriežņatslēgas, un A uzstādiēt instrumenti, kā parādīts attēlā
  - novietojiet savākšanas maisu B zem izvades C
  - uzstādiēt zondes turētāju D
- Ieslēgšana/izslēgšana <sup>15</sup>
  - lai ieslēgtu/izslēgtu instrumentu, nospiediet ieslēdzēju E stāvoklī "I"/"O"
- ! **pēc instrumenta izslēgšanas asmens dažas sekundes turpina rotēt**
  - ļaujiet griešanas asmenim beigt rotēt, pirms atkal to ieslēgt
- ! **instruments neieslēgsies, līdz drošības svira nebūs F kārtīgi nostiprināta**
- ! **ieslēgt un izslēgt nedrīkst strauji**
- Ieslēgšanās aizsardzība
  - pēc barošanas apgādes kļūmes instruments nevar restartēties pats
  - lai restartētu instrumentu, E <sup>15</sup> lietojiet slēdzi

- Aizsardzība pret pārslodzi  
Pārslodzes (piemēram, griešanas asmeņa bloķēšana) var izraisīt instrumenta apstāšanos
  - pirms instrumenta atkārtotas ieslēgšanas, nogaidiet nelielu laika periodu
  - restartējiet instrumentu, vispirms nospiežot pogu G <sup>15</sup> un tad slēdzi E <sup>15</sup>
- Smalcināšana <sup>16</sup>
  - ievadiet smalcināmo materiālu, izmantojot ievades atveri H
  - ievietojiet tikai tik daudz materiāla, cik ievades atvere spēj apstrādāt, nenosprostojoties
- ! **garš materiāls smalcināšanas laikā var tikt atgrūsts**
- ! **nelielas sasmalcinātā materiāla daļiņas var tikt izvadītas cauri ievades atverei**
- ! **instrumenta lietošanas laikā lietojiet aizsargbrilles, ausu aizsargus un aizsargcimdus**
  - neievietojiet smalcinātājā mīkstus atkritumus, piemēram, māsaimniecības atkritumus
  - pārlicinieties, ka sasmalcinātais materiāls brīvi izplūst no izvades C
  - pārlicinieties, vai ventilācijas atveres J <sup>2</sup> nav pārklātas ar savākšanas maisu vai sasmalcināto materiālu
  - izvairieties no izvades nosprostošanās ar C sasmalcināto materiālu, jo tas var izraisīt materiāla izvadīšanu cauri padeves atverei H
- Nosprostojuma likvidēšana <sup>17</sup>
  - ! **izslēdziet instrumentu un atvienojiet to no strāvas kontaktligzdas**
    - atbrīvojiet drošības sviru F un atveriet instrumentu, kā parādīts attēlā
    - notīriet asmens zonu (noņemiet sakrājušos netīrumus, izmantojot koka vai plastmasas instrumentu)
    - iztīriet arī izvadē C sakrājušos netīrumus
    - aizveriet instrumentu un stingri nostipriniet drošības F sviru
- Griešanas asmens apgriešana/nomaīņa <sup>18</sup>
  - ! **izslēdziet instrumentu un atvienojiet to no strāvas kontaktligzdas**
    - griešanas asmens griezējšķautnes atrodas abās tā pusēs; ja griezējšķautne asmens vienā pusē kļūst neasa, var izmantot griezējšķautni asmens otrā pusē
    - nomainiet griešanas asmeni, kad abas pusēs ir kļuvušas neasas (SKIL rezerves daļas numurs 2610Z02553, atzīme YAT 8231-545201)
    - atbrīvojiet drošības sviru F un atveriet instrumentu, kā parādīts attēlā
    - atskrūvējiet abas asmens bultskrūves, izmantojot sešstūra stieņatslēgu, L kā balstu izmantojot M metāla plāksni
    - apgrieziet un uzstādiēt griešanas asmeni, kā parādīts attēlā
    - pievelciet abas asmens bultskrūves, izmantojot sešstūra stieņatslēgu, L kā balstu izmantojot M metāla plāksni
    - aizveriet instrumentu un stingri nostipriniet drošības F sviru

## PRAKTISKI PADOMI

- Vislabākajiem slacināšanas rezultātiem smalciniet svaigi nogrieztus zarus uzreiz pēc to nogriešanas
- Mīksta materiāla padevei K izmantojiet zondi ⑨
- Smalciniet mīkstu dārza atkritumus mazākās partijās, īpaši, ja tie ir mitri
- Varat izvairīties no nosprostojumiem, pārmaiņus smalcinot zarus

## APKALPOŠANA / APKOPE

- Šis darbarīks nav paredzēts profesionālai lietošanai
- Uzturiet instrumentu tīru un darba kārtībā
  - vienmēr pārliecinieties, ka ventilācijas atveres ir tīras no gružiem
- ! **pirms instrumenta tīrīšanas atvienojiet to no elektrotilkla**
- Regulāri pārbaudiet, vai nav radušies kādi defekti, piemēram, vaļņgs, izkustēties vai bojāts asmens, vaļņgi stiprinājumi vai bojātas detaļas
- Drošības apsvērumu dēļ nomainiet nodilušās vai bojātās daļas
- Izvairieties no drošības atslēgas saliekšanas, N ②0 jo tas var izraisīt instrumenta darbības traucējumus
- Vienmēr izslēdziet instrumentu, ļaujiet griešanas asmenim apstāties, atvienojiet kontaktspraudni un ļaujiet instrumentam atdzist pirms tā pārbaudes, regulēšanas, apkopes un/vai novietošanas glabāšanā
- Uzglabājiet instrumentu telpās, sausā vietā
- Smalcināšanas bloka apkopes laikā ņemiet vērā, ka, lai arī aizsarga drošības atslēgas dēļ motors pats neieslēgsies, smalcināšanas bloku var kustināt ar roku
- Ja, neraugoties uz augsto izgatavošanas kvalitāti un rūpīgo pērcražošanas pārbaudi, instruments tomēr sabojājās, tas jānogādā remontam firmas SKIL pilnvarotā elektroinstrumentu remonta darbnīcā
  - nogādājiet instrumentu **neizjauktā veidā** kopā ar iegādes dokumentiem tuvākajā tirdzniecības vietā vai firmas SKIL pilnvarotā piegādes apkalpošanas un remonta iestādē (adreses un instrumenta apkalpošanas shēma ir sniegta interneta vietnē [www.skil.com](http://www.skil.com))

## APKĀRTĒJĀS VIDES AIZSARDZĪBA

- **Neizmetiet elektroiekārtas, piederumus un iesaiņojuma materiālus sadzīves atkritumos** (tikai ES valstīm)
  - saskaņā ar Eiropas Savienības direktīvu 2012/19/ES par nolietotajām elektriskajām un elektroniskajām iekārtām un tās atspoguļojumiem nacionālajā likumdošanā, nolietotās elektroiekārtas ir jāsavāc, jāizjauc un jānogādā atbilstoši pārstrādei apkārtējai videi nekaitīgā veidā
  - īpašs simbols ⑫ atgādina par nepieciešamību izstrādājumus izlietot videi nekaitīgā veidā

## ATBILSTĪBAS DEKLARĀCIJA CE

- Mēs ar pilnu atbildību paziņojam, ka sadaļā "Tehniskie parametri" aprakstītais izstrādājums atbilst šādiem standartiem vai normatīvajiem dokumentiem: EN 60335, EN 13683, EN 61000, EN 55014, kā arī direktīvām 2006/95/EK, 2004/108/EK, 2006/42/EK, 2000/14/EK, 2011/65/ES

- **Tehniskā dokumentācija no:** SKIL Europe BV (PT-SEU/ENG1), 4825 BD Breda, NL

Marijn van der Hoofden      Olaf Dijkgraaf  
Operations & Engineering      Approval Manager

SKIL Europe BV, 4825 BD Breda, NL

19.12.2013

CE11

## TROKSNIS

- Mērīts saskaņā ar Direktīvu 2000/14/EK (EN/ISO 3744) garantētais skaņas jaudas līmenis LWA ir zemāks nekā 113 dB (A) (atbilstība ir noteikta saskaņā ar pielikumu V) Pilnvarotā iestāde : KEMA, Arnhem, NL  
Pilnvarotās iestādes identifikācijas numurs : 0344

LT

## Smulkintuvas

0770

## ĪVADAS

- Šis prietaiss neskirts profesionāliam naudojumam
- Šis prietaiss skirts smulkinti pluošto ir medienos sodo atliekas kompostai
- Tīrīnkite, ar pakotēje yra visos dalys, vaizduojamos ② pav
- Jei trūksta dalių arba jos yra pažeistos, susisiekitė su savo pardavėju
- Atidžiai perskaitykite šį vartotojo vadovą ir išsaugokite jį ateičiai ③
- **Ypatingą dėmesį atkreipkite į saugos instrukciją nuorodas bei įspėjamuosius užrašus; jei nepaisysite šių nuorodų, gali kilti sunkių sužeidimų pavojus**

## TECHNINIAI DUOMENYS ①

- \* Darbo režimas S6 (P40 = 40%) nurodo apkrovos profilį, kurį sudaro 4 min. apkrova ir 6 min. veikimas tuščiajame eiga (praktiniam naudojimui leistinas ilgalaikis darbo režimas)

## PRIETAISO ELEMENTAI ②

- A Raktas (2)
- B Surinkimo maišelis
- C Išleidimo anga
- D Ylos laikiklis
- E Įjungimo/išjungimo jungiklis
- F Virtinamoji svirtelė
- G Paleidimo iš naujo mygtukas
- H Ileidimo anga
- J Ventilacinės angos
- K Yla
- L Šešiabriaunis raktas
- M Metalo plokštė
- N Saugos užraktas

# SAUGA

## SPECIALŪS DARBO SMULKINTUVAIS SAUGOS NURODYMAI

### ANT PRIETAISO ESANČIŲ SIMBOLIŲ REIKŠMĖS

- ③ **Prieš naudodami įrankį perskaitykite instrukcijų vadovą**
- ④ **Prieš valydami ar atlikdami priežiūrą arba jei pažeistas ar susipainiojęs maitinimo laidas ar ilginamasis kabelis, išjunkite maitinimą ir ištraukite maitinimo laido kištuką iš elektros tinklo lizdo**
- ⑤ **PAVOJUS** Besisukantys ašmenys; įrankiu veikiant laikykite rankas atokiau anų
- ⑥ **Paisykite skriejančių šiukšlių keliamo pavojaus sveikatai** (pasirūpinkite, kad žmonės būtų saugiu atstumu nuo darbo zonos)
- ⑦ Prieš liesdami bet kokias judančias prietaiso dalis palaukite, kol jos visiškai sustos
- ⑧ Užsidėkite apsauginius pirštines
- ⑨ Užsidėkite apsauginius akinius ir klausos apsaugos priemones
- ⑩ Nepalikite prietaiso lietuje
- ⑪ Dviguba izoliacija (įžeminimo laido nereikia)
- ⑫ Nemeskite prietaisais į buitinių atliekų konteinerius
- ⑬ Laidai ir elektros šaltiniai, esantys netoli darbo vietos ar lauke, turi atitikti BS 5490 klasę IP X4 ir būtų tinkamai apsaugoti nuo vandens ir kitų kenksmingų poveikių, o laidų sujungimai turi būti tinkamai izoliuoti.

### BENDROJI DALIS

- Šis prietaisas nėra skirtas naudotis asmenims (įskaitant vaikus), kurie turi menkus fizinius, jutimų ar psichikos sugebėjimus arba kurie stokoja patirties ir žinių; tokius asmenis turi priežiūrėti už jų saugą atsakingas asmuo arba jis turi jiems suteikti instrukcijas dėl prietaiso naudojimo
- Pasirūpinkite, kad vaikai nežaistų su prietaisu
- Išsiaiškinkite prietaiso valdiklius ir tinkamą paskirtį
- Neleiskite prietaiso naudoti vaikams ar asmenims, kurie nežino jo naudojimo instrukcijų (pagal vietos įstatymus prietaisu dirbti gali būti leidžiama tik tam tikro amžiaus sulaukusiems asmenims)
- Draudžiama prietaisu dirbti, kai šalia yra žmonių; jei greta yra žmonių (ypač vaikų) ar gyvūnų, nustokite dirbti prietaisu
- Už nelaimingus atsitikimus ir kitų žmonių sveikatai ar turtui padarytą žalą atsako prietaiso naudotojas
- Visos apsaugos ir kreiptuvai turi būti jiems skirtose vietose ir tvarkingi
- Baigę naudoti, būtinai išjunkite prietaisą, palaukite, kol sustos ašmenys, ir ištraukite kištuką iš lizdo
  - prieš palikdami prietaisą be priežiūros
  - prieš valydami įstrigusias medžiagas
  - prieš prietaisą tikrindami, valydami ar tvarkydami
- ! **prieš montuodami ar išimdami surinkimo maišą**

### ELEKTROSAUGA

- Visada patikrinkite, ar elektros tinklo įtampa sutampa su įtampos dydžiu, nurodytu prietaiso vardinėje lentelėje
- Periodiškai tikrinkite kabelius ir pažeistus kabelius turi pakeisti kvalifikuotas elektrikas
- Periodiškai tikrinkite ir, jei sugadintas, keiskite ilginamąjį kabelį (**naudoti netinkamos būklės ilginamuosius kabelius gali būti pavojinga**)

- Jei prietaisu dirbate drėgnoje aplinkoje, naudokite liekamosios srovės prietaisą (RCD), kurio suveikimo srovės stiprumas ne didesnis kaip 30 mA
- Naudokite tik lauko darbus skirtus ilginamuosius kabelius H05VV-F ar H05RN-F su vandeniui nelaidžiais kištukais ir lizdais
- Jei maitinimo laidas arba ilginamasis kabelis įpjautas, pažeistas arba susipainiojęs, būtinai išjunkite prietaisą ir ištraukite maitinimo laido kištuką iš elektros tinklo lizdo (**prieš ištraukdami kištuką nelieskite kabelio**)
- Kad išvengtumėte nelaimingų atsitikimų, sugadintą maitinimo laidą keiskite tik SKIL techninės priežiūros centre
- Naudodami ilginamuosius kabelius atkreipkite dėmesį į tai, kad kabelis būtų iki galo išvyniotas ir būtų pritaikytas 16 A elektros srovei
- Laidą (ir ilginamąjį kabelį) saugokite nuo karščio, tepalų ir aštrių briaunų
- Laido (ir ilginamojo kabelio) nespauskite, netraukite, ant jo nelipkite ir nevažiuokite
- Naudokite ne ilgesnius kaip 20 metrų (1,5 mm<sup>2</sup>) arba 50 metrų (2,5 mm<sup>2</sup>) ilginamuosius kabelius

### ŽMONIŲ SAUGA

- Prietaisu nedirbkite basi ar avėdami atviras basutes; būtinai nūvėkite ilgas kelnes, avėkite tvirtus batus
- Nedėvėkite laisvų drabužių arba su kabančiais raiščiais
- Prietaisą naudokite tik atviroje vietoje, ne prie sienų ar kitų objektų, ant tvirtu lygaus paviršiaus
- Laikykite prietaisą **patalpoje**, sausoje ir rakinamoje, vaikams neprieinamoje vietoje

### PRIEŠ EKSPLOATACIJĄ

- Patikrinkite, kad visi sraigtai, varžlės, varžtai ir kitos tvirtinamosios priemonės būtų priveržtos, o visos apsaugos ir uždangos – joms skirtose vietose
- Patikrinkite, ar įleidimo anga būtų tuščia

### EKSPLOATACIJA

- Laikykite veidą ir kūną atokiau įleidimo angos
- Stebėkite, kad rankos, kuri nors kita kūno dalis ar drabužiai nepatektų į įleidimo, išleidimo angas ir būtų atokiau judančių dalių
- Nuolat išlaikykite pusiausvyrą; venkite nenormalių kūno padėčių
- Įleidami medžiagas nestovėkite aukščiau prietaiso pagrindo
- Dirbdami įrankiu nuolat išlaikykite tinkamą atstumą nuo išleidimo vietos
- Įleidami medžiagas į prietaisą ypač atidžiai stebėkite, kad vidun nepatektų metalo dalelių, akmenų, butelių, skardos ar kitų pašalinių objektų
- Jei pjovimo mechanizmą užkirstų pašalinis objektas ar paleidžiant prietaisą pasigirstų neįprastas triukšmas ar kiltų vibracija, nedelsdami išjunkite prietaisą, sulaukite, kol ašmenys sustos, atjunkite laidą ir imkitės toliau aprašytų veiksmų
  - patikrinkite, ar nėra gedimų
  - pakeiskite ar pataisykite pažeistas dalis
  - patikrinkite, ar reikia priveržti atsileidusias dalis
- Stebėkite, kad išleidžiamos medžiagos neužkimštų išleidimo angos; jei taip atsitiktų, medžiagos imtų kristi iš įleidimo angos
- Jei prietaisas užsikimštų, prieš jį valydami išjunkite, palaukite, kol sustos ašmenys, ir ištraukite kištuką iš lizdo

- Stebėkite, kad atliekos ir kiti besikaupiantys nešvarumai nesikauptų variklio ventiliatoriuje, kad apsaugotumėte variklį ir kad nekiltų gaisro
- Nekelkite ir neperkelkite įrenginio veikiančiu varikliu

## NAUDOJIMAS

- Surinkimo instrukcijos <sup>14</sup>
  - ratams montuoti naudokite du kartu tiekiamus sraigtus A, prietaisą sukinkite, kaip pavaizduota
  - Surinkimo maišą pritvirtinkite B po išleidimo anga C
  - sumontuokite ylos laikiklį D
- Įjungimas/išjungimas <sup>15</sup>
  - prietaisas yra įjungiamas/išjungiamas perstatant jungiklį E į padėtį "I"/"O"

**! išjungus prietaisą, asmenys dar keletą sekundžių sukasi**

  - prieš vėl įjungdami palaukite, kol asmenys sustos

**! prietaisas neįsijungs, jei tvirtinamoji rankenėlė F ne iki galo priveržta**

**! greitai paeiliui neįjunkite ir neišjunkite prietaiso**
- Apsauga paleidžiant iš naujo
  - dingus ir vėl atsiradus įtampai prietaisas savaime iš naujo neįsijungia
  - prietaisą vėl įjunkite jungikliu E <sup>15</sup>
- Apsauga nuo perkrovos
 

Dėl perkrovos (pavyzdžiui, įstrigus asmenims) įrankis gali sustoti

  - prieš vėl įjungdami prietaisą truputį palaukite
  - kad vėl įjungtumėte įrankį, visų pirma spustelėkite mygtuką G <sup>15</sup>, tada – jungiklį E <sup>15</sup>
- Smulkintuvas <sup>16</sup>
  - medžiagas, kurias reikia sukapti, leiskite per įleidimo angą H
  - dėkite medžiagų tiek, kiek prietaisas galėtų priimti neužsiblokuodamas

**! ilgesnės medžiagos kuojamos gali staigiai trūktelėti**

**! mažos susmulkintos medžiagos dalelės gali kristi iš įleidimo angos**

**! dirbdami prietaisu naudokite apsaugos akinius, ausines ir mūvėkite apsaugines pirštines**

  - nekiškite smulkintuvo vidun minkštų medžiagų, tokių kaip virtuvės atliekos
  - patikrinkite, ar susmulkintos medžiagos gali laisvai kristi iš išleidimo angos C
  - patikrinkite, ar surinkimo maišas ar susmulkintos medžiagos neuždengia ventiliacijos angų J <sup>2</sup>
  - stebėkite, kad susmulkintos medžiagos neblokotų išleidimo angos C, nes dėl to medžiagos gali kristi iš įleidimo angos H
- Užsikimšimo šalinimas <sup>17</sup>

**! išjunkite prietaisą ir ištraukite kištuką iš lizdo**

  - atleiskite tvirtinamąją rankenėlę F ir atidarykite prietaisą, kaip pavaizduota
  - išvalykite asmenys (sukietėjusius nešvarumus nuo asmenų pašalinkite mediniu ar plastikiniu įrankiu)
  - pašalinkite visas atliekas iš išleidimo angos C
  - uždarykite prietaisą ir tvirtai priveržkite tvirtinamąją rankenėlę F

- Ašmenų apsikimas ir keitimas <sup>18</sup>

**! išjunkite prietaisą ir ištraukite kištuką iš lizdo**

  - asmenys yra dvipusiai; kai viena jų pusė atšimpa, galite naudoti kitą
  - kai abi pusės atšipusios, pakeiskite asmenis (SKIL atsarginės dalies Nr. 2610Z02553, žyma YAT 8231-545201)
  - atleiskite tvirtinamąją rankenėlę F ir atidarykite prietaisą, kaip pavaizduota
  - abu asmenų varžtus atsukite šešiabriauniu raktu L, prilaikydami juos metaline plokšte M
  - apskukite ir sumontuokite asmenis kaip pavaizduota
  - abu asmenų varžtus prisukite šešiabriauniu raktu L, prilaikydami juos metaline plokšte M
  - uždarykite prietaisą ir tvirtai priveržkite tvirtinamąją rankenėlę F

## NAUDOJIMO PATARIMAI

- Norėdami pasiekti geriausių rezultatų smulkinkite ką tik nupjautas šakas
- Naudokite vylą K smulkinti minkštomis medžiagoms <sup>19</sup>
- Minkštas sodo atliekas, ypač drėgnas, smulkinkite mažais kiekiais
- Užsikimšimui išvengti šakas dėkite su pertraukomis

## PRIEŽIŪRA / SERVISAS

- Šis prietaisas neskirtas profesionaliam naudojimui
- Rūpestingai prižiūrėkite prietaisą, stebėkite, kad jis būtų švarus
  - būtinai pasirūpinkite, kad vėdinimo angos nebūtų užkimštos šiukšlėmis
- **! prieš valydami ištraukite kištuką iš elektros tinklo lizdo**
- Reguliariai tikrinkite, ar pjovimo asmenys nėra atsileidę, išjudinti ar pažeisti, taip pat ar nėra nusidėvėjusių ir pažeistų dalių
- Nusidėvėjusias ar pažeistas dalis saugos sumetimais pakeiskite
- Nesulenkite saugos užrakto N <sup>20</sup>, nes dėl to prietaisas gali veikti netinkamai
- Visada prieš tikrindami, reguliuodami, atlikdami priežiūros darbus ir prieš padedant laikyti, išjunkite prietaisą, palaukite, kol sustos asmenys ir prietaisas atvės
- Prietaisą laikykite patalpoje, sausoje vietoje
- Atlikdami smulkintuvo priežiūros darbus turėkite galvoje, kad nors dėl saugos užrakto funkcijos variklis nepasileis, smulkintimo dalį galima pajudinti ranka
- Jeigu prietaisas, nepaisant gamyloje atliekamo kruopštaus gamybos ir kontrolės proceso, vis dėlto sugestų, jo remontas turi būti atliekamas įgaliotose SKIL elektrinių įrankių remonto dirbtuvėse
  - **neišardyta** prietaisą kartu su pirkimo čekiu siųskite tiekėjui arba į artimiausią SKIL firmos įgaliotą elektros prietaisų techninio aptarnavimo tarnybą (adresus bei atsarginių dalių brėžinius rasite [www.skil.com](http://www.skil.com))

## APLINKOSAUGA

- **Nemeskite elektrinių įrankių, papildomos įrangos ir pakuotės į buitinių atliekų konteinerius** (galioja tik ES valstybėms)
  - pagal ES Direktyvą 2012/19/EG dėl naudotų elektrinių ir elektroninių prietaisų atliekų utilizavimo ir pagal vietinius valstybės įstatymus atitarnavę elektriniai įrankiai turi būti surenkami atskirai ir gabunami į antrinių žaliavų tvarkymo vietas, kur jie turi būti sunaikinami ar perdirbami aplinkai nekenksmingu būdu
  - apie tai primins simbolis ⑫, kai reikės išmesti atitarnavusį prietaisą

## ATITIKTIES DEKLARACIJA CE

- Atsakingai pareiškiame, kad skyriuje "Techniniai duomenys" aprašytas gaminytis atitinka žemiau pateiktus standartus ir norminius dokumentus: EN 60335, EN 13683, EN 61000, EN 55014 pagal direktyvų 2006/95/EB, 2004/108/EB, 2006/42/EB, 2000/14/EB, 2011/65/ES reikalavimus
- **Techninė byla laikoma:** SKIL Europe BV (PT-SEU/ENG1), 4825 BD Breda, NL

Marijn van der Hoofden  
Operations & Engineering

Olaf Dijkgraaf  
Approval Manager

SKIL Europe BV, 4825 BD Breda, NL

19.12.2013

CE11

## TRIUKŠMINGUMAS

- Išmatavus pagal 2000/14/EB (EN/ISO 3744) reikalavimus, garantuotas garso galingumas LWA yra mažesnis nei 113 dB(A) (atitikties vertinimas atliktas pagal V priedą)
- Notifikuota institucija: KEMA, Arnhem, NL
- Notifikacijos institucijos identifikavimo numeris: 0344

MK

## Дробач

0770

## УПАТСТВО

- Овој алат не е наменет за професионална употреба
- Овој алат е наменет за сечкање влакнест и дрвен отпад од градината за губриво
- Проверете дали пакувањето ги содржи сите делови коишто се прикажани на сликата ②
- Контактирајте со продавачот ако недостасуваат делови или истите се оштетени
- Прочитајте го упатството за работа внимателно пред да го користите и зачувајте го за идни осврти ③
- **Обрнете особено внимание на безбедносните упатства и предупредувања; недоследноста може да доведе до сериозна повреда**

## ТЕХНИЧКИ ПОДАТОЦИ ①

- \* Работниот режим S6 (P40 = 40%) посочува на профил за работа од 4 минути полнења и 6 минути време за мирување (за практична примена, дозволена е континуирана работа)

## ЕЛЕМЕНТИ НА АЛАТОТ ②

- A Клуч (2)
- B Вреќа за собирање
- C Испуст
- D Држач за бодож
- E Прекинувач за вклучување/исклучување
- F Безбедносен регулатор
- G Копче за рестартирање
- H Отвор кај доводот за полнење
- J Отвори за вентилација
- K Бодож
- L Хексагоналан клуч
- M Метална плоча
- N Безбедносно заклучување

## БЕЗБЕДНОСТ

### СПЕЦИФИЧНИ БЕЗБЕДНОСНИ УПАТСТВА ЗА ДРОБАЧИТЕ

#### ОБЈАСНУВАЊЕ ЗА СИМБОЛИТЕ ЗА АЛАТОТ

- ③ **Пред употреба прочитајте го прирачникот за употреба**
  - ④ **Исклучете ја косилната и извадете го приклучокот од штекер пред чистење/ одржување или ано кабелот (продолжниот) е оштетен или заплеткан**
  - ⑤ **ОПАСНОСТ** Ротирачки сечива, држете ги рацете подалеку од отворите додека работи машината
  - ⑥ **Обрнете внимание на ризикот од повреда што може да го предизвика отфрлениот остаток од косењето** (присутните лица да стојат на безбедно растојание од местото на работа)
  - ⑦ **Почекајте додека додека не се смират сите делови што се движат на алатот пред да ги допрете**
  - ⑧ Носете заштитни ракавици
  - ⑨ Носете заштитни очила и заштита за ушите
  - ⑩ Не изложувајте го алатот на дожд
  - ⑪ Двојна изолација (не е потребна заземна жица)
  - ⑫ Не фрлајте го алатот заедно со другиот отпад од домаќинството
  - ⑬ Приклучоците и штекерите поставени близу областа за работа или надвор треба да се од класата IP X4 на BS 5490 за да се обезбеди соодветна заштита од наплив на вода и слично. И на почетоците на каблите им е потребна ефикасна заштита
- #### ОПШТИ
- Овој алат е наменет за употреба за лица (вклучувајќи и деца) со намалени физички, сензорски или ментални способности или со помало искуство и знаење, и доколку лицето задолжено за нивна безбедност не им даде соодветна помош и упатство за за тоа како да се користи алатот
  - Обезбедете децата да не си играат со алатот
  - Запознајте се со контролите и со правилната употреба на косилката



- Никогаш не дозволувајте деца или други лица коишто не ги знаат упатствата за работа да го користат алатот (локалните одредби може да ја ограничуваат возраста на операторот)
  - Никогаш не работете со машината во непосредна близина на луѓе; престанете да работите со неа ако во близина има други лица (особено деца) или галеничиња
  - Корисникот е одговорен за несреќните случаи или штетите што ќе се предизвикаат кај други лица или на нивниот имот
  - Чувајте ги сите заштити и браници поставени и во добра работна состојба
  - Секогаш исклучувајте го алатот и поченајте сечивото да се смири и исклучете го штекерот
    - кога косилката ја оставате без надзор
    - пред чистење заглавен материјал
    - пред проверка, чистење или работа на косилката
- ! пред поставување или ведење на вреќата за собирање**

### ЕЛЕКТРИЧНА БЕЗБЕДНОСТ

- Секогаш проверувајте напонот да е ист со оној кој е назначен на плочката на алатот
- Проверувајте го кабелот од време на време и повикајте квалификувано лице да го смени ако е оштетен
- Проверувајте го продолжниот кабел од време на време и сменете го ако е оштетен (**несоодветните продолжни набли се опасни**)
- Користете уред за преостанат напон (RCD) со максимален напон за активирање од 30 mA кога ја користите косилката
- Користете само продолжен кабел од типовите H05VV-F или H05RN-F којшто е наменет за употреба на отворено и е опремен со приклучок со заштита од вода и штекер во форма на запалка
- Секогаш исклучете ја машината и исклучете го приклучокот од штекерот ако кабелот за напојување со ел. енергија или продолжниот кабел се пресечени, оштетени или заплеткани (**не допирајте го кабелот пред да го исклучите приклучокот**)
- Оштетен кабел за напојување треба да се замени со сервис на SKIL само за да се избегне ризик
- Продолжениот кабел кој го користите, мора да биде сосема одмотан и безбеден, со капацитет од 16 A
- Заштитете го (продолжниот) кабел од топлина, масло и остри рабови
- Не преминувајте преку кабелот (продолжниот) не превиткувајте или не влечете го
- Користете само продолжни кабли со максимална должина од 20 метри (1,5 м<sup>2</sup>) или 50 метри (2,5 м<sup>2</sup>)

### ЛИЧНА ЗАШТИТА

- Не работете со косилката кога сте боси или ако носите отворени сандали; секогаш носете цврсти чевли и долги панталони
- Избегнувајте да носите широка облека која што се разлетува, врвки или марами
- Работете со алатот само на отворено (не многу близу до ѕид или други цврсти предмети) на цврста и рамна подлога
- Чувајте ја машината **во затворен простор** на суво и затворено место и подалеку од дофат на деца

### ПРЕД УПОТРЕБА

- Проверете дали сите шрафови, навртки, завртки и другите стегачи се правилно наместени и дека заштитите и мрежите се на место
  - Проверете дали доводот за полнење е празен
- ### ВО ТЕКОТ НА УПОТРЕБАТА
- Држете ги лицето и телото подалеку од отворот на доводот за полнење
  - Не дозволувајте рацете (или некој друг дел од телото), како и облеката да навлезат во отворот на доводот за полнење, во отворот кај испустот или близу кој било дел што се движи
  - Одржувајте правилна рамнотежа и цврсто стојалиште постојано; не пресегајте се
  - Никогаш не стојте на високо ниво од основата на алатот кога полните материјал
  - Секогаш одржувајте правилно растојание од зоната на испустот кога работи алатот
  - Кога полните материјал во алатот, бидете исклучително внимателни да не ставате парчиња метал, камења, шишиња, конзерви или други страни предмети
  - Ако механизмот за дробење удри во стран предмет или ако алатот започне да произведува невообичаена бука или вибрации, веднаш исклучете го и почekaјте сечивото да застане, исклучете го приклучокот и преземете ги следните чекори
    - проверете дали има оштетување
    - заменете или поправете ги оштетените делови
    - проверете и затегнете ги разлабавените делови
  - Не дозволувајте обработениот материјал да се наталожува во зоната на испустот; така се спречува правилно празнење што доведува до повратен удар на материјалот преку отворот на доводот за полнење
  - Ако алатот се затне, исклучете го и поченајте сечивото да се смири и исклучете го штекерот пред да го исчистите отпадот
  - Одржувајте ги отворите за вентилација на моторот чисти и без отпадоци за да спречите оштетување на моторот или појава на оган
  - Не закосувајте и не пренесувајте го алатот кога работи моторот

### УПОТРЕБА

- Упатство за спојување <sup>14</sup>
    - поставете ги тркалата со два винта А што се доставуваат и составете го алатот како што е прикажано на сликата
    - поставете ја вреќата за полнење В под испустот С
    - поставете го држачот за бодожот D
  - Вклучено/Исклучено <sup>15</sup>
    - вклучувајте/исклучувајте го алатот со притискање на прекинувачот E во позициите "I"/"O"
- ! по исклучување на машината, сечивото продолжува да ротира уште неколку секунди**
- оставете сечивото да престане да се врти пред повторно вклучување
- ! алатот нема да се вклучи освен ако безбедносниот регулатор F не е затегнат докрај**
- ! не исклучувајте и вклучувајте премногу бргу**

- Рестартирајте за заштитата
  - ако снема струја, алатот нема сам да се рестартира
  - користете се со прекинувачот Е 15 за да го рестартирате алатот
- Заштита за преоптоварување  
Преоптоварување (на пр. блокирано сечиво) може да доведе до прекин во работата на алатот
  - почекајте малку пред да го вклучите алатот повторно
  - рестартирајте го алатот со тоа што прво ќе го притиснете копчето, G 15 а потоа прекинувачот Е 15
- Дробење 16
  - ставајте го материјалот што треба да се исечка преку отворот на доводот за полнење Н
  - ставајте материјал, но внимавајте доводот за полнење да не се блокира
  - ! **подолгитиот материјал може да се разматвува пред да се исече**
  - ! **може да се исфрлаат мали парчиња од материјалот додена се сечна од отворот на доводот за полнење**
  - ! **носете заштитни очила, акустична заштита и заштитни ракавици кога го користите алатот**
  - не ставајте мек отпад, како што е домашниот отпад во дробачот
  - проверете дали исечканиот материјал може лесно да излегува од испустот С
  - обезбедете отворите за вентилација J 2 да не бидат прекриени со вреќата за собирање или со исечканиот материјал
  - избегнувајте да го блокирате испустот С со исечканиот материјал бидејќи така може да дојде до повратен удар преку отворот за полнење Н
- Отстранување блокади 17
  - ! **исклучете го алатот и извадете го од приклучокот**
  - разлабавете го безбедносниот регулатор F и отворете го алатот како што е прикажано на сликата
  - исчистете ја областа за сечкање (отстранете го насобраниот отпад со дрвен или пластичен алат)
  - исчистете го и испустот С од отпад
  - затворете го алатот и затегнете го безбедносниот регулатор F докрај
- Вртење/замена на сечивото 18
  - ! **исклучете го алатот и извадете го од приклучокот**
  - сечивото има остар раб на двете страни; затоа ако едната страна затапи, може да се користи другата страна
  - заменете го сечивото кога ќе затапат двете страни (број на резервен дел на SKIL 2610Z02553, обележен со YAT 8231-545201)
  - разлабавете го безбедносниот регулатор F и отворете го алатот како што е прикажано на сликата
  - разлабавете ги двете навртки на сечивото со клуч L додека ја користите металната плоча M како подлога
  - свртете и поставете го сечивото како што е прикажано на сликата

- затегнете ги двете навртки на сечивото со клуч L додека ја користите металната плоча M како подлога
- затворете го алатот и затегнете го безбедносниот регулатор F докрај

## СОВЕТИ ЗА ПРИМЕНА

- Дробете ги пресните гранки штом ќе ги отсечете за најдобри резултати
- Користете го бодежот K за ставање мек материјал 19
- Дробете пресен отпад од градината во помали количини, особено ако е мокар
- Блокадите може да се избегнат со повремено дробење гранки

## ОДРЖУВАЊЕ/СЕРВИСИРАЊЕ

- Овој алат не е наменет за професионална употреба
- Одржувајте го алатот внимателно и чувајте го чист
  - секогаш одржувајте ги отворите за вентилација чисти и без отпадоци
  - ! **пред чистење извадете го алатот од приклучокот**
- Редовно проверувајте дали има дефекти како разлабавено, изместено или оштетено сечиво, разлабавени стеги и изабени или оштетени делови
- Заменете ги истрошените или оштетените делови од безбедносни причини
- Избегнувајте да го виткате безбедносниот заклучување N 20 бидејќи така може да дојде до расипување на алатот
- Секогаш исклучете го алатот, почекајте сечивото да се смири, исклучете го штекерот и оставете го да се олади пред проверка, прилагодување, сервисирање и/или складирање на алатот
- Чувајте го алатот на затворено и суво место
- При сервисирање на единицата за дробење, имајте предвид дека дури и ако моторот не работи заради одликата на заштитата за безбедносно заклучување, единицата за дробење може да се поместува со рака
- Доколку алатот и покрај внимателното работење и контрола некогаш откаже, поправната мора да ја изврши некој овластен SKIL сервис за електрични алати
  - во случај на примедба, испратете го алатот **нерасклопен**, заедно со сметкопотврдата, до вашиот продавач или најблискиот SKIL сервис (адресите се наведени на [www.skil.com](http://www.skil.com))

## ЗАШТИТА НА ЖИВОТНАТА СРЕДИНА

- **Не се ослободувајте од електрични алати, уреди или амбалажа преку нивно фрлање во домашното губре** (само за земјите на ЕУ)
  - според Европската Директива 2012/19/ЕС за ослободување од електрична и електронска опрема и нејзина имплементација во согласност со националните закони, електричните алати кои го достигнале крајот на својот животен век мора да бидат собрани посебно и да бидат вратени во соодветен објект за рециклирање
  - симболот 12 ќе ве потсетува на ова кога ќе дојде време алатот да го фрлите

# ДЕКЛАРАЦИЈА ЗА УСОГЛАСЕНОСТ CE

- Со целосна одговорност изјавуваме дека производот опишан кај "Технички податоци" е усогласен со следните стандарди или документи за стандардизација: EN 60335, EN 13683, EN 61000, EN 55014 во согласност со одредбите во директивите 2006/95/EG, 2004/108/EG, 2006/42/EG, 2000/14/EG, 2011/65/EU
- **Техничко досие во:** SKIL Europe BV (PT-SEU/ENG1), 4825 BD Breda, NL

Marijn van der Hoofden  
Operations & Engineering

Olaf Dijkgraaf  
Approval Manager

SKIL Europe BV, 4825 BD Breda, NL

19.12.2013

CE11

## БУЧАВА

- Измерено во согласност со 2000/14/EG (EN/ISO 3744), гарантираното ниво на бука LWA е пониско од 113 dB(A) (посталка за проценка на усогласеноста согласно Додаток V)  
Овластено лице: КЕМА, Arnhem, NL  
Број за идентификација на овластеното лице: 0344

AL

## Пажисја гриресе

0770

## HYRJE

- Kjo vegël nuk është e projektuar për përdorim profesional
- Kjo pajisje është er projektuar për prerjen e mbeturinave të fibrës dhe të drurit për plehërim
- Kontrolloni nëse paketimi përfshin të gjitha pjesët siç janë të ilustruara në skicë ②
- Kur pjesët mungojnë ose janë të dëmtuara, ju lutemi kontaktoni me shitësin
- Lexoni me kujdes këtë manual udhëzimesh para përdorimit dhe ruajeni për t'iu referuar në të ardhmen ③
- **Jini të vëmendshëm ndaj udhëzimeve të sigurisë dhe paralajmërimeve; mosrespektimi mund të shkaktojë dëmtime të rënda**

## ТË DHËNAT ТЕКНИКЕ ①

- \* Modaliteti i punës S6 (P40 = 40%) tregon një profil ngarkese me 4 min ngarkesë dhe 6 min kohë pa aktivitet (për përdorim praktik, lejohet funksionimi i vazhdueshëm)

## ELEMENTET E PAJISJES ②

- A Çelësi (2)
- B Qesja mbledhëse
- C Dalja
- D Mbajtësja e shtytësit
- E Çelësi i ndezjes/fikjes

- F Çelësi i sigurisë
- G Butoni për rindezjen
- H Vrima e hyrjes së materialit
- J Të çarët e ajrosjes
- K Shtytësi
- L Çelësi heksagonal
- M Pllaka metalike
- N Bllokuesi i sigurisë

## SIGURIA

### UDHËZIMET SPECIFIKE TË SIGURISË PËR PAJISJET GRIRËSE

#### SHPJEGIMI I SIMBOLEVE NË VEGËL

- ③ **Lexoni manualin e udhëzimeve para përdorimit**
  - ④ **Fikeni dhe hiqeni spinën para pastrimit/ mirëmbajtjes ose nëse kordoni (zgjatues) është i dëmtuar ose i ngatërruar**
  - ⑤ **RREZIK** Thikrat rrotullohen; mbajini duart larg nga vrimat kur pajisja është në punë
  - ⑥ **Jini të vëmendshëm ndaj rrezikut për dëmtime nga copat që fluturojnë përreth** (mbajini personat e tjerë në një distancë të sigurt nga zona e punës)
  - ⑦ Prisi deri sa të gjitha elementet lëvizëse të pajisjes që ndalojnë plotësisht para se t'i prekni
  - ⑧ Mbani doreza mbrojtëse
  - ⑨ Mbani syze mbrojtëse dhe pajisje mbrojtëse për dëgjimin
  - ⑩ Mos e ekspozoni veglën në shi
  - ⑪ Izolim i dyfishtë (nuk kërkohet tokëzim)
  - ⑫ Mos e hidhni veglën bashkë me materialet e mbetjeve familjare
  - ⑬ Spinat dhe prizat e vendosura afër zonës së punës ose në ambiente të jashtme duhet të jenë të klasës IP X4 në BS 5490 për të siguruar një mbrojtje të përshtatshme nga uji që futet, etj. dhe hyrja e kabllos kërkon një izolim efektiv
- #### TË PËRGJITHSHME

- Kjo pajisje nuk është projektuar për t'u përdorur nga persona (përfshirë fëmijët) me kapacitete të zvogëluara fizike, ndijore ose mendore, ose me mungesë të përvojës dhe njohurive, nëse nuk janë udhëzuar ose mbikëqyrur në lidhje me përdorimin e pajisjes nga një person përgjegjës për sigurinë e tyre.
- Sigurohuni që fëmijët të mos luajnë me pajisjen
- Familjarizohuni me komandat dhe përdorimin e saktë të veglës
- Mos lejoni kurrë fëmijët ose personat që nuk janë të familjarizuar me udhëzimet e përdorimit për funksionimin e pajisjes (rregulloret lokale mund të kufizojnë moshën e përdoruesit)
- Mos e përdorni kurrë veglën në afërsi të personave të tjerë; ndaloni përdorimin e veglës kur keni pranë persona të tjerë (veçanërisht fëmijë) ose kafshë shtëpiake
- Përdoruesi është përgjegjës për aksidentet ose rreziqet ndaj personave të tjera ose pronës së tyre
- Mbajini të gjitha mbrojtëset dhe reflektorët në vendin e duhur dhe në gjendje të mirë pune
- Fikeni gjithmonë pajisjen, prisi që thika e prerjes të ndalojë dhe hiqni spinën
  - sa herë që e lini veglën të pamonitoruar
  - para pastrimit të materialeve të bllokuaara
  - para kontrollit, pastrimit ose punimeve në vegël
- ! **para montimit ose heqjes së qesës së mbledhjes**

## SIGURIA ELEKTRIKE

- Kontrolloni gjithmonë që voltazhi i energjisë është i njëjtë me voltazhin e treguar në etiketën e veglës
- Kontrolloni periodikisht kordonin dhe zëvendësojeni me ndihmën e një personi të kualifikuar, nëse dëmtohet
- Kontrolloni kordonin zgjatues periodikisht dhe zëvendësojeni, nëse dëmtohet (**kordonët zgjatues të papërshtatshëm mund të jenë të rrezikshëm**)
- Kur përdorni veglën, përdorni një pajisje ndërprerëse të diferencuar (RCD) me korrent aktivizues maksimali 30 mA
- Përdorni vetëm kordonë zgjatues të llojeve H05VV-F ose H05RN-F, të projektuar për përdorim në ambiente të jashtme dhe të pajisur me një bashkues prizë-spinë kundër ujit
- Fikeni gjithmonë veglën dhe hiqeni spinën nga burimi i energjisë nëse kordoni elektrik ose kordoni zgjatues është prerë, dëmtuar ose ngatërruar (**mos e prekni kordonin para se të hiqni spinën**)
- Kordoni elektrik i dëmtuar duhet të zëvendësohet vetëm në një qendër të shërbimit të SKIL për të shmangur një rrezik
- Përdorni kordonë të pahapur dhe të sigurt për zgjatime, me një kapacitet 16 amper
- Mbrojeni kordonin (zgjatues) nga nxehtësia, vaji dhe anët e mprehta
- Mos e shkëlqni, shtypni apo tërhiqni kordonin (zgjatues)
- Përdorni vetë kordonë zgjatues me gjatësi maksimale 20 metra (1,5 mm<sup>2</sup>) ose 50 metra (2,5 mm<sup>2</sup>)

## SIGURIA PERSONALE

- Mos e përdorni veglën kur jeni zbatuar ose mbani sandale të hapura; vishni gjithmonë këpuçë të ashpra dhe pantallona të gjata
- Shmangni mbajtjen e rrobave të gjera, kordonëve apo lidhjeve që varen
- Përdoreni pajisjen vetëm në një ambient të hapur (jo shumë afër me murin ose objekte të tjera të forta) dhe në një sipërfaqe të fortë dhe të rrafshët
- Magazinojeni pajisjen **në ambiente të brendshme** në një vend të thatë dhe të mbyllur, larg nga fëmijët

## PARA PËRDORIMIT

- Kontrolloni që të gjitha vidat, dadot, bulonat dhe mjetet e tjera për mbërthim të jenë të vendosura mirë dhe që mbrojtëset dhe paretet të jenë në vendin e duhur
- Sigurohuni që hyrja e materialeve të jetë bosh

## GJATË PËRDORIMIT

- Mbajeni trupin dhe fytyrën larg nga vrima e hyrjes së materialeve
- Mos lejoni që duart (apo ndonjë pjesë tjetër e trupit) apo veshjet të futen në hyrjen e materialeve, vrimën e shkarkimit apo afër ndonjë pjese lëvizëse
- Mbani një ekulibër dhe vendosje të mirë të këmbëve në çdo moment; mos u zgjasni
- Mos qëndroni kurrë në një nivel më të lartë se baza e pajisjes kur merrni materiale
- Ruani gjithmonë një distancë të përshtatshme nga zona e shkarkimit kur përdorni pajisjen
- Kur futni materiale në pajisje, kini shumë kujdes që copat e metalit, gurëve, shisheve, kanaçeve ose objekteve të tjera të huaja të mos jenë të përfshira
- Nëse mekanizmi i prerjes godet ndonjë objekt të huaj ose nëse pajisja fillon të bëjë ndonjë zhurmë ose dridhje të

pazakontë, fikeni menjëherë, prisni që thika e prerjes të ndalojë, hiqni spinën dhe merrni hapat e mëposhtme

- kontrolloni për dëmtime
- zëvendësoni ose riparoni çdo pjesë të dëmtuar
- kontrolloni dhe shtrëngoni çdo pjesë të liruar
- Mos lejoni që materialet e përpunuara të mblidhen në zonën e shkarkimit; kjo mund të pengojë shkarkimin si duhet dhe mund të shkaktojë kthimin e materialeve nëpërmjet vrimës së ushqimit të materialeve
- Nëse pajisja bllokohet, fikeni, lëreni thikën e prerjes që të ndalojë dhe shkëputeni spinën para se të pastroni copat
- Mbajeni vrimat e ftohjes së motorit të pastra nga copat dhe mbetjet e tjera për të parandaluar dëmtimin e motorit apo ndonjë zjarr të mundshëm
- Mos e anoni apo transportoni pajisjen kur motori është duke punuar

## PËRDORIMI

- Udhëzimet për montimin <sup>(14)</sup>
  - montoni rrotat me dy çelësat A e përfshirë dhe montoni pajisjen si në ilustrim
  - poziciononi qesën mbledhëse B poshtë daljes së shkarkimit C
  - montoni mbajtësen e shtytës D
- Ndezje/Fikje <sup>(15)</sup>
  - ndizni/fikni pajisjen duke shtyrë çelësin E në pozicionin "I"/"O"
  - ! **pas fikjes së veglës, thika vazhdon të rrotullohet për disa sekonda**
  - lëreni thikën prerëse të ndalojë së rrotulluari para se ta ndizni përsëri
  - ! **pajisja nuk do të ndizet nëse çelësi i sigurisë F nuk është shtrënguar plotësisht**
  - ! **mos e ndizni dhe fikni shumë shpejt**
- Mbrojtja nga rindezja
  - pas një defekti në furnizimin me energji, pajisja nuk do të rindizet vetë
  - përdorni çelësin E <sup>(15)</sup> për të rindezur pajisjen
- Mbrojtja nga mbingarkesa
  - Mbingarkesa (p.sh. bllokimi i thikës së prerjes) mund të shkaktojë një ndalim të pajisjes
  - prisni për pak kohë para se ta ndizni përsëri pajisjen
  - rindizeni pajisjen duke shtypur në fillim butonin G <sup>(16)</sup> dhe më pas çelësin E <sup>(15)</sup>
- Procesi i grirjes <sup>(16)</sup>
  - futni materialet që do të copëtohen në vrimën e hyrjes së materialit H
  - futni vetëm aq materiale sa vrima e ushqimit të mos bllokohet
  - ! **materialet e gjata mund të lëvizin jashtë kur të priten**
  - ! **copa të vogla të materialeve të grira mund të kërcëjnë nga vrima e hyrjes së materialeve**
  - ! **mbani syze sigurie, mbrojtëse për veshët dhe doreza mbrojtëse kur përdorni këtë pajisje**
  - mos futni mbeturina të buta, si mbetjet e kuzhinës, në pajisjen grirëse
  - sigurohuni që materialet e copëtuara të mund të bien lirish nga vrima e shkarkimit C
  - sigurohuni që vrimat e ajrimit J <sup>(2)</sup> nuk do të mbluheshin nga qesja e mbledhjes ose nga materialet e copëtuara

- shmangni bllokimin e daljes C me materiale të grira pasi kjo mund të shkaktojë kthimin e materifaleve nëpërmjet vrimës së ushqimit H
- Lirimi i bllokimit <sup>(17)</sup>
  - ! **fikni pajisjen dhe hiqni spinën**
  - lironi çelësin e sigurisë F dhe hapni pajisjen si në ilustrim
  - pastroni zonën e thikës (hiqni copat e ngjeshura me një mjet druri ose plastik)
  - pastroni edhe daljen C nga copat
  - mbylleni pajisjen dhe shtërngoni fort çelësin e sigurisë F
- Kthimi/ndërrimi i thikës së prerjes <sup>(18)</sup>
  - ! **fikni pajisjen dhe hiqni spinën**
  - thika e prerjes ka një anë prerëse në të dyja anët; kështu që nëse njëra anë humbet mprehtësinë e saj, mund të përdoret ana tjetër
  - zëvendësoni thikën e prerjes kur të dyja anët të jenë të topitura (numri i pjesës së ndërrimit nga SKIL 2610Z02553, shënuar YAT 8231-545201)
  - lironi çelësin e sigurisë F dhe hapni pajisjen si në ilustrim
  - lironi të dy bulonat e thikës me çelësin heksagonal L kur të përdorni pllakën metalike M si mbështetje
  - ktheni dhe montoni thikën e prerjes si në ilustrim
  - shtërngoni të dy bulonat e thikës me çelësin heksagonal L kur të përdorni pllakën metalike M si mbështetje
  - mbylleni pajisjen dhe shtërngoni fort çelësin e sigurisë F

## KËSHILLË PËR PËRDORIMIN

- Për rezultate më të mira, grijini degët e njoma menjëherë pasi të priten
- Përdorni shtytësin K për futjen e materialeve të buta <sup>(19)</sup>
- Mbeturinat e buta të kopshtit grijini në sasi më të vogla, veçanërisht kur janë të lagura
- Bllokimet mund të shmangen duke grirë vazhdimisht degë

## MIRËMBAJTJA / SHËRBIMI

- Kjo vegël nuk është e projektuar për përdorim profesional
- Mirëmbajtja e pajisjes me kujdes dhe mbajtja e pastër
  - sigurohuni gjithmonë që të çarat e ajrimit të jenë të pastra nga copërat e mbetura
- ! **shkëputni spinën para pastrimit**
- Kontrolloni rregullisht për defekte, si lirimi, zhvendosja ose dëmtimi i thikës, lirimi i kapjeve dhe konsumi ose dëmtimi i elementeve përbërës
- Zëvendësoni pjesët e konsumuara ose të dëmtuara për arsye sigurie
- Shmangni përkuljen e bllokuesit të sigurisë N <sup>(20)</sup> që mund të shkaktojë mosfunksionimin e pajisjes
- Fikeni gjithmonë pajisjen, lëroni thikën e prerjes që të ndalojë, hiqni spinën dhe lëroni pajisjen që të ftohet para se ta kontrolloni, rregulloni, riparoni dhe/apo magazinoni pajisjen
- Magazinoheni pajisjen në ambiente të mbyllura në një vend të thatë

- Kur kryeni shërbimin e njësisë së grirjes, kini parasysht se, megjithëse motori nuk do të ndizet për shkak të veçorisë së bllokimit të sigurisë, njësia e grirjes mund të lëvizet ende me dorë
- Nëse pajisja ka defekt pavarësisht kujdesit në prodhim dhe procedurat e provave, riparimi duhet të kryhet nga një qendër e shërbimit pas shitjes për veglat e punës të SKIL
  - dërgoni veglën **të çmontuar** së bashku me vërtetimin e blerjes të shitësi ose të qendra më e afërt e shërbimit e SKIL (adresat si dhe diagrami i shërbimit i veglës janë të paraqitura në [www.skil.com](http://www.skil.com))

## MJEDISI

- **Mos i hidhni veglat elektrike, aksesorët dhe paketimin së bashku me materialet e mbeturinave familjare** (vetëm për vendet e BE-së)
  - në respektim të Direktivës evropiane 2012/19/EC për pajisjet elektrike dhe elektronike si mbetje dhe zbatimin e saj në përputhje me ligjet kombëtare, pajisjet elektrike që kanë arritur në fund të jetëgjatësisë së tyre duhet të mblihdhen të ndara dhe të kthehen në një objekt riciklimi në përputhje me mjedisin.
  - simboli <sup>(21)</sup> do t'ju kujtojë për këtë gjë kur të jetë nevojta për t'i hedhur

## DEKLARATA E KONFORMITETIT CE

- Ne deklarojmë me përgjegjësinë tonë të vetme se ky produkt i përshkruar në "Të dhëat teknike" është në përputhje me standardet ose dokumentet e standardizimit si më poshtë: EN 60335, EN 13683, EN 61000, EN 55014 në përputhje me dispozitat e direktivave 2006/95/EC, 2004/108/EC, 2006/42/EC, 2000/14/EC, 2011/65/EU
- **Dosja teknike në:** SKIL Europe BV (PT-SEU/ENG1), 4825 BD Breda, Holandë

Marijn van der Hoofden                      Olaf Dijkgraaf  
Operations & Engineering                      Approval Manager




SKIL Europe BV, 4825 BD Breda, NL

19.12.2013

**CE11**

## ZHURMA

- Matur në përputhje me 2000/14/EC (EN/ISO 3744) niveli i garantuar i fuqisë së zërit LWA është më i ulët se 113 dB(A) (procedura e vlerësimit të konformitetit në përputhje me Shtojcën V)
- Organizmi i njoftuar : KEMA, Arnhem, NL
- Numri i identifikimit të organizmit të njoftuar : 0344

## اعلامیه مبنی بر رعایت استاندارد CE

- ما بر اساس مسئولیت انحصاری خود اعلام می‌نماییم که محصول شرح داده شده در قسمت «اطلاعات فنی» با استانداردها یا مستندات استاندارد شده زیر سازگاری و تطابق دارد: EN ۱۰۳۱۸۳, EN ۱۳۱۸۳, EN ۱۱۰۰۰, EN ۵۵۰۱۴ مطابق با مفاد مصوبات EN/EC ۲۰۰۱/۹۵, EN/EC ۲۰۰۴/۱۰۸, EN/EC ۲۰۰۱/۴۲, EN/EC ۲۰۰۰/۱۴, EN/EC ۲۰۱۱/۱۵  
EU
- پرونده فنی در SKIL Europe BV (PT-SEU/ENG1), ۴۸۲۵ BD Breda, NL :

Marijn van der Hoofden  
Operations & Engineering

Olaf Dijkgraaf  
Approval Manager

SKIL Europe BV, 4825 BD Breda, NL

CE11

19.12.2013

### میزان صوت

- اندازه گیری شده مطابق با (EN/ISO ۳۷۴۴) EN/EC ۲۰۰۰/۱۴ میزان توان صوتی LWA تضمینی این ابزار کمتر از ۱۱۳ دسی بل است (روش ارزیابی مطابقت و سازگاری بر اساس متمم V)  
سازمان ابلاغ شده: KEMA, Arnhem, NL  
شماره شناسایی سازمان ابلاغ شده: ۰۳۴۴

- شما نباید دست ها یا هیچ بخش دیگری از بدن) و یا لباس های خود را داخل دهانه ورودی، خروجی و یا نزدیک میچ کدام از بخش های متحرک ببرید
- همیشه باید جایگاه و وضعیت مطمئنی برای ایستادن انتخاب کرده و تعادل خود را حفظ کنید؛ بیش از حد دست خود را دراز نکنید
- هنگام تغذیه مواد به داخل ابزار هرگز نباید در سطحی مرتفع تر از پایه ابزار ایستاده باشید.
- هنگام کار با ابزار همیشه باید فاصله کافی را با ناحیه خروجی حفظ کنید
- هنگام تغذیه مواد به ابزار بسیار دقت کنید که تکه های فلز، سنگ، بطری، قوطی و یا سایر اشیاء و ذرات دیگر داخل آنها نماندند
- اگر مکانیسم برش ابزار با یک جسم خارجی برخورد کرد و یا ابزار موقع شروع بکار صدا یا لرزش غیرعادی داشت، فوراً ابزار را خاموش کنید. اجازه دهید تیغه برش آن به حالت توقف برسد. دوشاخه را کشیده و سپس مراحل زیر را دنبال کنید
  - ابزار را برای یافتن نشانه های آسیب بررسی کنید
  - هر قسمتی یا بخش آسیب دیده را تعویض و یا تعمیر کنید
  - محکم بودن قطعات ابزار را کنترل کرده و اگر شل شده اند آنها را محکم کنید
- نگذارید مواد فرایند شده در ناحیه خروجی انباشته شود؛ این امر از تخلیه صحیح و اصولی جلوگیری کرده و می تواند باعث پهن زدن مواد از دهانه تغذیه شود
- اگر ابزار دچار گرفتگی شده است، پیش از اینکه مواد اضافی را پاکسازی کنید ابزار را خاموش کرده، اجازه دهید تیغه برش متوقف شود و دوشاخه را بکشید
- منافذ تهویه خنک کننده موتور را عاری از هرگونه مواد و ذرات و انباشتگی حفظ کنید تا از آسیب دیدن موتور و یا آتش گرفتن احتمالی جلوگیری شود
- هنگامی که موتور در حال کار است ابزار را کج نکرده یا آنرا حمل نکنید

## استفاده

- دستورالعملهای سوار کردن (14)
- چرخ ها را با دو آچار A ارائه شده سوار کرده و ابزار را مطابق شکل نصب کنید
  - کیسه جمع آوری B را زیر خروجی C قرار دهید
  - نگهدارنده ابزار تغذیه D را قرار دهید
- روشن/خاموش (15)
  - ابزار را با فشار دادن کلید E به وضعیت «I»/«O» روشن/خاموش کنید
- **بعد از خاموش کردن ابزار، تیغه ها برای چند ثانیه به گردش ادامه می دهند**
- پیش از اینکه دوباره ابزار را روشن کنید، اجازه دهید حرکت تیغه برش کاملاً متوقف شود
- **ابزار شروع بکار نخواهد کرد مگر آنکه کلید گردان محکم کننده F کاملاً سفت شده باشد**
- **ابزار را پشت سرهم روشن و خاموش نکنید**
- محافظت در برابر شروع دوباره
  - ابزار بعد از قطع برق خودبخود دوباره روشن نخواهد شد
  - برای روشن کردن دوباره ابزار از کلید E (16) استفاده کنید
- محافظت در برابر اضافه بار
  - اضافه بار (مانند درگیر شدن تیغه برش) می تواند باعث از حرکت ایستادن ابزار شود
- پیش از اینکه دوباره ابزار را روشن کنید، قدری صبر کنید
- ابتدا با فشار دادن دکمه G (17) و سپس کلید E (15) ابزار را مجدداً روشن کنید
- **خرد کردن (18)**
  - مواد که می خواهید خرد شوند را از دهانه ورودی تغذیه کنید H
  - مواد را فقط به اندازه ای وارد دهانه ورودی کنید که باعث گرفتگی آن نشود
  - **امکان دارد مواد بلندتر موقع برش به بیرون پرتاب شوند**
  - **مکن است تکه های کوچک مواد خرد شده از دهانه تغذیه به بیرون پرتاب شوند**
- **هنگام استفاده از ابزار از عینک ایمنی، گوشی ایمنی و دستکش محافظ استفاده کنید**
- ضایعات نرم مانند زباله های آشپزخانه را داخل خرد کن قرار ندهید
- اطمینان حاصل کنید که مواد تکه تکه شده می توانند براحتی از خروجی بیرون بیفتند C
- اطمینان حاصل کنید که شماره های تهویه L (1) با کیسه جمع آوری یا مواد تکه تکه شده مسدود نشوند
- از انبساط خروجی C با مواد تکه تکه شده جلوگیری کنید چون این امر می تواند به پس زدن مواد از دهانه ورودی منجر شود H

## رفع گرفتگی (19)

- **ابزار را خاموش کرده و دوشاخه را بکشید**
- کلید گردان محکم کننده F را شل کرده و ابزار را مطابق شکل باز کنید
- قسمت تیغه را تمیز کنید (ذرات و ضایعات فشرده شده را با یک وسیله چوبی یا پلاستیکی خارج کنید)
- همچنین کلیه ذرات و ضایعات را از خروجی C پاک کنید
- ابزار را بسته و کلید گردان محکم کننده F را سفت کنید
- برعکس کردن/تعویض تیغه برش (20)
- **ابزار را خاموش کرده و دوشاخه را بکشید**
- تیغه برش در هر دو سمت خود لبه برنده دارد؛ بنابراین اگر یک سمت کند شده باشد می توانید از سمت دیگر استفاده کنید
- هنگامی که هر دو سمت تیغه برش کند شد، آنرا تعویض کنید (شماره قطعه بدکی اسکیل 2053-Z-01، با نشان 0545201-AT 8131 YAT)
- کلید گردان محکم کننده F را شل کرده و ابزار را مطابق شکل باز کنید
- هر دو پیچ تیغه را با آچار آلن A شل کرده و همزمان از صفحه فلزی M بعنوان حائل استفاده کنید
- تیغه برش را مطابق شکل برعکس کرده و سوار کنید
- هر دو پیچ تیغه را با آچار آلن A سفت کرده و همزمان از صفحه فلزی M بعنوان حائل استفاده کنید
- ابزار را بسته و کلید گردان محکم کننده F را سفت کنید

## توصیه های کاربردی

- برای کسب بهترین نتیجه باید شاخه های تازه را درست بعد از برش خرد کنید
- از ابزار تغذیه H برای گرد کردن مواد نرم استفاده کنید (21)
- ضایعات نرم یا بچه را علی الخصوص وقتی تر هستند در حجم های کوچک تر به ابزار تغذیه کنید
- برای جلوگیری از گرفتگی می توانید به تناوب چند شاخه را خرد کنید

## نگهداری / سرویس- خدمات

- این ابزار برای مصارف حرفه ای مناسب نیست
- با دقت تمام از ابزار مراقبت کرده و آنرا تمیز نگه دارید
- دقت کنید که منافذ تهویه ابزار هیچگاه با آشغال مسدود نشوند
- **پیش از تمیز کردن سیم برقی را از برق بکشید**
- بطور مرتب ابزار را برای یافتن تیغه های شل، بیرون آمده یا آسیب دیده، اتصالات و شل، و یا قطعات خراب و فرسوده بازدید کنید
- برای رعایت ایمنی باید قسمت های خراب و فرسوده را تعویض کنید
- از خم کردن قفل ایمنی (19) خودداری کنید چون می تواند باعث از کار افتادن ابزار گردد
- همیشه پیش از انجام هرگونه بازرسی، تنظیم، سرویس، و/یا قرار دادن ابزار در محل نگهداری باید ابتدا ابزار را خاموش کنید. اجازه دهید حرکت تیغه برش متوقف شده، دوشاخه را بکشید و بگذارید ابزار خنک شود
- ابزار را در فضایی مسقف و خشک نگهداری کنید
- هنگام سرویس دستگاه خرد کن باید توجه داشته باشید اگرچه به دلیل قابلیت قفل ایمنی محافظ، موتور ابزار شروع بکار نخواهد کرد اما دستگاه خرد کن را می توان با دست حرکت داد
- اگر ابزار علیرغم تمام دقت و مراقبتی که در فرایندهای تولید و تست بکار برده شده از کار افتاد، تعمیرات باید فقط در مراکز خدمات پس از فروش ابزارهای برقی SKIL انجام شود
- ابزار را بصورت یازمنته همراه با رسید خرید به فروشنده یا نزدیک ترین مرکز خدمات رسانی SKIL بفرستید (آدرسها به همراه نموده رتقشده های سرویس ابزار در [www.skil.com](http://www.skil.com) موجود است)

## محیط زیست

- **ابزارهای برقی، لوازم و ملتهقلحات و بسته بندی آنها را نباید همراه با زباله های عادی خانگی دور انداخت (فقط مخصوص کشورهای عضو اتحادیه اروپا)**
- با توجه به مصوبه اروپایی 2012/19/EC اروپا درباره لوازم برقی و الکترونیکی مستعمل و اجاری این مصوبه مطابق با قوانین کشوری، ابزارهای برقی که به پایان عمر مفید خود رسیده اند باید جداگانه جمع آوری شده و به یک مرکز بازیافت مناسب و سازگار با محیط زیست انتقال یابند
- ناعملات (22) یادآور این مسئله در هنگام دور انداختن است

## مقدمه

- این ابزار برای مصارف حرفه ای مناسب نیست
- این ابزار برای بریدن ضایعات ریشنه دار و چوبی باغچه ها جهت تهیه کمپوست طراحی شده است
- مطمئن شوید که تمام اجزا و قطعات نشان داده شده در شکل ① در بسته بندی باشند
- اگر قطعاتی مفقود شده یا آسیب دیده اند، لطفاً با فروشنده خود تماس بگیرید
- لطفاً پیش از کار با دستگاه این دفترچه راهنما را با دقت مطالعه کرده و آنرا برای استفاده آتی نگه دارید ②
- لطفاً به دستورالعملهای ایمنی و هشدارها دقت کنید: عدم رعایت این نکات می تواند به بروز جراحتهای بسیار جدی منجر شود

## اطلاعات فنی ①

\*S1-حالات عامل ۴۰ = (P4۰ % نشان می دهد مشخصات بار از ۴ دقیقه بار و ۱ دقیقه زمان تلف کردن. برای کاربردهای عملی عملیات مستمر مجاز است.

## اجزای ابزار ②

- A آچار (1)
- B کیسه جمع آوری
- C خروجی
- D نگهدارنده ابزار تغذیه
- E کلید روشن/خاموش
- F کلید گردان محکم کننده
- G کلید شروع بکار مجدد (ری استارت)
- H دهانه ورودی
- J شنیارهای تهویه
- K ابزار تغذیه
- L آچار آلن
- M صفحه فلزی
- N قفل ایمنی

## ایمنی

راهنمای ایمنی عمومی خرد کن ها

## شرح علائم و نمادهای روی ابزار

- ② پیش از کار حتماً دفترچه راهنما را مطالعه کنید
- ③ پیش از تمیز کردن/انجام کارهای نگهداری و یا در صورتی که سیم (رابط) آسیب دیده یا گیر کرده است باید ابزار را خاموش کرده و دوشاخه آنرا از پریز بکشید
- ④ خطر تیغه های در حال گردش: هنگامی که ابزار کاری می کند دستهای خود را از دهانه ها دور نگه دارید
- ① به خطر جراحات ناشی از آشغالهایی که در هوا بلند می شود توجه داشته باشید (افراد دیگر باید در فاصله مطمئنی از محیط شما قرار داشته باشند)
- ⑤ ابتدا صبر کنید تا تمام اجزاء و بخشهای متحرک ابزار به توقف کامل برسند و سپس به آنها دست نزنید
- Ⓐ دستکش محافظ بپوشید
- Ⓓ از عینک محافظ و محافظ گوش استفاده کنید
- ⑩ ابزار نباید در معرض باران قرار داده شود
- ⑪ عایق دوگانه (نیازی به سیم اتصال به زمین - ارت نیست)
- ⑫ ابزار را همراه زباله های خانگی دور نیندازید
- ⑬ دوشاخه ها و پریزهای موجود در نزدیک محل کار یا فضای بیرون باید از کلاس IP X4 استاندارد BS ۵۴۱۰ باشند تا محافظت لازم را در برابر نفوذ آب و غیره ایجاد کرده و قسمت ورودی کابل های آنها دارای عایق بندی مناسب باشد

## عمومی

- این ابزار نباید توسط افرادی (شامل کودکان) که توانایی های فیزیکی، حسنی یا روانی آنها محدود است، یا فاقد تجربه و دانش لازم هستند بکار برده شود مگر اینکه شخصی که مسئول ایمنی آنهاست درباره طرز کار با ابزار به آنها توضیح داده باشد و یا بر کار آنها نظارت کند
  - هیچوقت اجازه ندهید کودکان یا ابزار بازی کنند
  - با نحوه کار کنترلرها و کارکرد اصولی ابزار آشنا شوید
  - هرگز اجازه ندهید کودکان یا افرادی که در دستورالعمل های کاری این ابزار آشنایی ندارند با ابزار کار کنند (قوانین و مقررات محلی ممکن است سن افرادی که می توانند با ابزار کار کنند را محدود کرده باشد)
  - هرگز موقعی که افراد دیگر در نزدیکی هستند با ابزار کار نکنید: اگر افراد (بخصوص کودکان) و یا حیوانات خانگی در نزدیکی هستند کار با ابزار را متوقف کنید
  - مسئولیت هرگونه حادثه یا خطرات بوجود آمده برای دیگر افراد یا مال و اموال آنها با استفاده کننده ابزار است
  - تمام حفاظ ها و منحرف کننده ها را در جای خود و در وضعیت کاری مناسب نگهداری کنید
  - همیشه ابزار را خاموش کرده، اجازه دهید تیغه برش متوقف شده و دوشاخه را بکشید
  - هنگامی که ابزار را بدون سرپرستی رها می کنید
  - پیش از برطرف کردن گیر و گرفتگی مواد و اشیاء
  - پیش از بررسی، تمیز یا کار کردن روی ابزار
  - ! پیش از سوار کردن یا برداشتن کیسه جمع آوری
- ایمنی الکتریکی**
- همیشه مطمئن شوید که ولتاژ ورودی دستگاه برابر ولتاژی باشد که روی پلاک دستگاه نوشته شده است
  - سیم ابزار را بطور مرتب بازرسی کرده و در صورت خراب شدن، از یک تعمیرکار واجد شرایط بخواهید آنرا عوض کند
  - سیم رابط را بصورت دوره ای بازدید کرده و در صورت آسیب دیدگی تعویض کنید (سیم رابطهای نامناسب می توانند خطرناک باشند)
  - هنگامی که از این ابزار در محیطهای مرطوب استفاده می کنید، از کلیدهای حفاظت در برابر جریان ناشی (RCD) با جریان راه اندازی (حساسیت) حداکثر ۳۰ میلی آمپر استفاده نمایید
  - فقط از سیم رابطهای نوع H۰۵VV-F یا H۰۵RRN-F مناسب برای فضای آزاد و مجهز به دوشاخه ضد نفوذ آب و پریز جفت آن استفاده کنید
  - اگر سیم برق یا سیم رابط بریده، آسیب دیده یا گیر کرده است باید همیشه ابزار را خاموش کرده و دوشاخه را از پریز بکشید (قبل از کشیدن دوشاخه از پریز نباید به هیچ وجه به سیم دست بزنید)
  - تعویض سیم برق آسیب دیده باید به منظور جلوگیری از مخاطرات فقط توسط مراکز خدمات اسکیل انجام شود
  - سیم های رابط برق باید کاملاً باز شده و ایمن باشند، از سیم هایی با رده بندی 1۱ آمپر
  - سیم (رابط) ابزار را از گرما، روغن و لبه های تیز دور نگهدارید
  - سیم (رابط) را لگد نکنید، آنرا له نکرده یا نکشید
  - طول سیم رابطی که استفاده می کنید نباید از حداکثر ۲۰ متر (۱۱٫۵ میلی متر مربع) یا ۵۰ متر (۲٫۵ میلی متر مربع) بیشتر باشد
- رعایت ایمنی اشخاص**
- اگر پابرهنه هستید یا صندل باز به پا دارید با ابزار کار نکنید: همیشه کفشهای محکم و شلوار بلند بپوشید
  - از پوشیدن لباس های گشاد خودداری کنید، از پوشیدن لباس های گشاد، دارای آویز یا کراوات خودداری کنید
  - از ابزار فقط در فضای آزاد (نه خیلی نزدیک به دیوار یا سایر اجسام جامد) و روی سطحی پایدار و تراز استفاده کنید
  - ابزار را در داخل ساختمان و مکانی خشک و محفوظ، دور از دسترس کودکان نگهدارید
- پیش از استفاده**
- اطمینان حاصل کنید که تمام پیچ ها، مهره ها و سایر بست ها محکم بسته شده باشند و حفاظ ها و صفحات در جای خود قرار داشته باشند
  - اطمینان حاصل کنید که دهانه ورودی خالی باشد
- در حین استفاده**
- صورت و بدن خود را از دهانه ورودی دور نگه دارید



- إذا تعرضت الأداة للانسداد، فقم بإيقاف تشغيلها وإيقاف شفرة القطع وفصل القابس قبل التخلص من الخلفات؛
- حافظ على فتحات تبريد المحرك خالية من الخلفات والترسبات الأخرى لتفادي تلف المحرك أو إمكانية اندلاع حريق؛
- لا تقم بإزالة الأداة أو نقلها أثناء تشغيل المحرك.

## الاستخدام

- تعليمات التجميع (15)
- قم بتركيب العجلات باستخدام مفتاحي الربط A المرودين وتركيب الأداة كما هو موضح؛
- قم بوضع كيس التجميع B أسفل المنفذ C
- قم بتركيب ماسك المسبار D
- التشغيل/إيقاف التشغيل (16)
- قم بتشغيل/إيقاف تشغيل الأداة من خلال دفع المفتاح E إلى الوضع «تشغيل»/«إيقاف تشغيل»؛
- بعد إيقاف تشغيل الأداة تستمر الشفرة في الدوران ليضع نوايا؛
- اترك شفرة القطع تتوقف عن الدوران قبل التشغيل مرة أخرى؛
- ! لن تبدأ الأداة في التشغيل حتى يتم إحكام ربط مقبض التأمين F بالكامل؛
- ! لا تقم بالتشغيل وإيقاف التشغيل سريعاً؛
- حماية بدء التشغيل
- بعد تعطل إصدار الطاقة، لن تقوم الأداة بإعادة التشغيل تلقائياً؛
- استخدم المفتاح E لإعادة تشغيل الأداة؛
- الحماية من إفراط التحميل
- إفراط التحميل (مثل انسداد شفرة القطع) يمكن أن يؤدي إلى إيقاف حركة الأداة؛
- قم بالانتظار قليلاً قبل تشغيل الأداة مرة أخرى؛
- قم بإعادة تشغيل الأداة من خلال الضغط أولاً على الزر G (16) ثم تشغيل E (16).

## التمزيق (17)

- قم بتغذية المادة ليتم قطعها عبر فتحة مدخل التغذية H
- قم بإدخال ما يكفي من المادة بحيث لا يتعرض مدخل التغذية للانسداد؛
- ! قد تتعرض كمية المواد الأكبر إلى التحطم أثناء قطعها؛
- قد يتم إخراج أجزاء صغيرة من المواد التي تم ترميزها من فتحة مدخل التغذية؛
- ! قم بإرتداء نظارات أمان وواقيات السمع وقفازات واقية أثناء استخدام الأداة؛
- لا تقم بتعبئة النفايات الدقيقة مثل نفايات المطايخ في آلة التمرزيق؛
- تأكد من إمكانية خروج المواد التي تم قطعها بحرية من المنفذ C
- تأكد من عدم قيام كيس التجميع أو المادة التي تم قطعها بتغطية فتحات التهوية J (17)
- تجنب انسداد المنفذ D بالمواد التي تم قطعها حيث قد يؤدي هذا إلى ارتداد المادة عبر فتحة مدخل التغذية H

## التخلص من الانسداد (18)

- ! أوقف تشغيل الأداة وافصل القابس؛
- قم بفك مقبض التأمين F وفتح الأداة كما هو موضح؛
- قم بتنظيف منطقة الشفرة (قم بإزالة الخلفات المترسكة باستخدام أداة خشبية أو بلاستيكية)؛
- قم أيضاً بتنظيف المنفذ C من أية مخلفات؛
- قم بإغلاق الأداة وربط مقبض الأمان F بإحكام؛
- قلب/تغيير شفرة القطع (18)
- ! أوقف تشغيل الأداة وافصل القابس؛
- تشتمل شفرة القطع على حواف قطع على كلا جانبيها، بحيث إذا فقد أحد الجانبين حدته يمكن استخدام الجانب الأخر؛
- قم باستبدال شفرة القطع عند فقد الحدة في كلا الجانبين (رقم قطعة الغيار من SKIL 2110-Z-05053
- YAT 8231-05201)
- قم بفك مقبض التأمين F وفتح الأداة كما هو موضح؛
- قم بفك مسامير الشفرة باستخدام مفتاح مسدس L أثناء استخدام اللوح المعدني M للدعم؛
- قم بقلب شفرة القطع وتركيبها كما هو موضح؛
- قم بربط مسامير الشفرة باستخدام مفتاح مسدس L أثناء استخدام اللوح المعدني M للدعم؛
- قم بإغلاق الأداة وربط مقبض الأمان F بإحكام؛

## توصيات الاستخدام

- للحصول على أفضل النتائج قم بتمرير الفروع النضرة بعد قطعها مباشرة؛
- قم باستخدام المسبار K لتغذية المواد الدقيقة (P)
- قم بتمرير نفايات الحوائط الدقيقة بكميات صغيرة خاصة عندما تكون مبللة؛
- يمكن تفادي الانسداد من خلال تمرير الفروع بشكل متقطع؛

## الصيانة / الخدمة

- لم يتم تصميم هذه الأداة للاستخدام الاحترافي؛
- حافظ على الأداة جيداً وقم بتنظيفها باستمرار؛
- تأكد دائماً من الحفاظ على نظافة فتحات التهوية من الخلفات؛
- ! أفضل القابس قبل التنظيف
- خذ قسطاً من النظام بحثاً عن شفرات مفكوكة أو ليست في موضعها أو تالفة وأية مثبتات مفكوكة ومكونات بالية أو تالفة؛
- قم باستبدال الأجزاء التالفة أو البالية لأغراض الأمان؛
- تفادي ثني قفل الأمان (19) والذي قد يؤدي إلى تعطيل الأداة؛
- قم دائماً بإيقاف تشغيل الأداة وإيقاف شفرة القطع وفصل القابس ثم اترك الأداة لتبرد قبل فحص أو ضبط أو خدمة أو تخزين الأداة؛
- قم بتخزين الأداة في مكان مغلق وجاف؛
- أثناء خدمة وحدة التمرزيق يجب عليك معرفة أنه على الرغم من أن المحرك لن يعمل بسبب ميزة قفل الأمان الموجودة في الواقي، إلا أنه من الممكن تحريك وحدة التمرزيق يدوياً؛
- إذا تعذر تشغيل الأداة على الرغم من الحذر الشديد في إجراءات التصنيع والاختبار، فيجب القيام بالإصلاحات بواسطة مركز خدمة ما بعد البيع لأدوات الطاقة التابع لشركة SKIL؛
- قم بإرسال الأداة مون تفكيكها بالإضافة إلى إثبات الشراء إلى البائع أو أقرب محطة خدمة SKIL بالتعاون بالإضافة إلى مخطط الخدمة متاح على [www.skil.com](http://www.skil.com)

## البيئة المحيطة

- لا تتخلص من الأدوات الكهربائية والملحقات ومواد التغليف مع النفايات المنزلية (الدول الإخاء الأوروبي فقط)؛
- وفقاً للتوجيه الأوروبي 2012/19/EC حول نفايات المعدات الكهربائية والإلكترونية وتطبيقه بالتوافق مع القانون المحلي، يجب جمع الأدوات الكهربائية منتهية الصلاحية بشكل منفصل وإرسالها إلى أحد منشآت إعادة التصنيع التوافقية مع البيئة؛
- سيذكرك الرمز (20) بهذا عند الحاجة إلى التخلص من أية أداة؛

## إعلان توافق CE

- نحن نقر على مسئوليتنا الخاصة أن المنتج الموضح في «البيانات الفنية» يتوافق مع المعايير أو المستندات المعيارية التالية EN 10335 : EN 13683 و EN 11000 و EN 5014 و بالتوافق مع شروط التوجيهات EN/EC 2001/90 و EN/EC 2001/42 و EN/EC 2001/118 و EN/EC 2001/118
- الملف الفني على: SKIL Europe BV (PT-SEU/ENG)، 4825 BD Breda, NL

Marijn van der Hoofden  
Operations & Engineering

Olaf Dijkgraaf  
Approval Manager

SKIL Europe BV, 4825 BD Breda, NL

CE11

19.12.2013

## الضوضاء

- عند القياس بالتوافق مع EN/ISO 7344 (EN/ISO 7344)، يكون مستوى طاقة الصوت المضمون LWA أقل من 113 ديسيبل (أ) (إجراء تقييم المطابقة وفقاً للملحق V)
- الهيئة المحطرفة: KEMA, Arnhem, NL
- رقم تعريف الهيئة المحطرفة: 034

## آلة التمزيق

٠٧٧٠

## مقدمة

- لم يتم تصميم هذه الآلة للاستخدام الاحترافي؛
- تم تصميم هذه الآلة لقطع نباتات الحدائق الليفية والخشبية للتحليل العضوي؛
- تأكد أن المغلف يحتوي على جميع الأجزاء كما هو موضح في الشكل ①
- في حالة تعرض أجزاء للفسد أو التلف، يرجى الاتصال بالبالغ الذي اشتريته منه؛
- اقرأ دليل الإرشادات هذا بعناية قبل الاستخدام، واحتفظ به كمرجع في المستقبل ②
- انتبه بشكل خاص إلى تعليمات وحذيرات السلامة، فقد يؤدي الإخفاق في الالتزام بهذه التعليمات إلى التعرض لإصابة خطيرة؛

## البيانات الفنية ①

- وضع التشغيل ق ٤٠ (P٤٠ = ٦٪) يشير إلى خميل الملف من خميل ٤ دقيقة
- ودقيقة ٦ وقت الحصول . للتطبيق العملي . ويسمح بإجراء هذه العملية مستمرة.

## مكونات الآلة ②

- A مفتاح ربط
- B كيس التجميع
- C منفذ
- D ماسك المسبار
- E مفتاح التشغيل/إيقاف
- F مقبض التأمين
- G زر لإعادة التشغيل
- H فتحة مدخل التغذية
- J فتحات التهوية
- K المسبار
- L مفتاح مسدس
- M لوح معدني
- N قفل الأمان

## أمان

## تعليمات السلامة الخاصة بآلات التمزيق

## شرح الرموز الموجودة على الآلة

- ① قم بقراءة دليل الإرشادات قبل الاستخدام
- ② قم بإيقاف التشغيل وفصل القابض قبل إجراء التنظيف/الصيانة أو إذا تعرض السلك (التصديد) للتلف أو الانحشار؛
- ③ خطر الشفرات الدوارة؛ قم بإبعاد يديك عن الفتححات أثناء تشغيل الآلة؛
- ④ انتبه إلى خطورة التعرض للإصابة بسبب الخلفات الطائرة (حافظ على المارة بعيداً عن منطقة العمل مسافة آمنة)؛
- ⑤ قم بالانتظار حتى تتوقف كافة مكونات الآلة المتحركة عن الحركة تماماً قبل لمسها؛
- ⑥ قم بإرتداء قفازات واقية؛
- ⑦ ارتد نظارات الأمان وواقبات السمع؛
- ⑧ لا تعرض الآلة للماء؛
- ⑨ العزل المرزوح (لا يلزم سلك أرضي)؛
- ⑩ لا تتخلص من الآلة مع النفايات المنزلية؛
- ⑪ يجب أن تكون القوابس والمقابض الموجودة بالقرب من موقع العمل أو في مناطق مفتوحة من الفئة X٤ IP من BS ٥٤٩٠ لتوفير حماية كافية ضد دخول المياه وما شابه، وحتاج منافذ الكابلات إلى إحكام الإغلاق بفعالية؛

## معلومات عامة

- لم يتم تصميم هذه الآلة للاستخدام بواسطة أفراد (ما يفهم الأطفال) ذوي قدرات بدنية أو حسية أو عقلية منخفضة أو محدودى الخبرة والعرفة ما لم يتم الإشراف عليهم وتزويدهم بالتعليمات المتعلقة بكيفية استخدام الآلة بواسطة فرد مسئول عن سلامتهم؛
- تأكد من أن الأطفال لا يعينون بالآلة؛
- قم بالتعرف على عناصر التحكم الموجودة في الآلة وكيفية الاستخدام؛

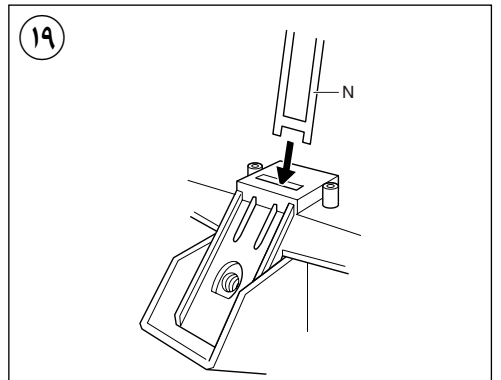
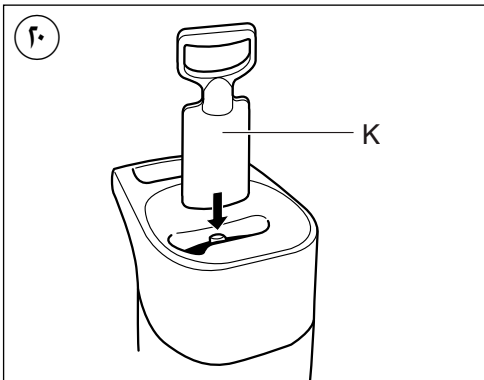
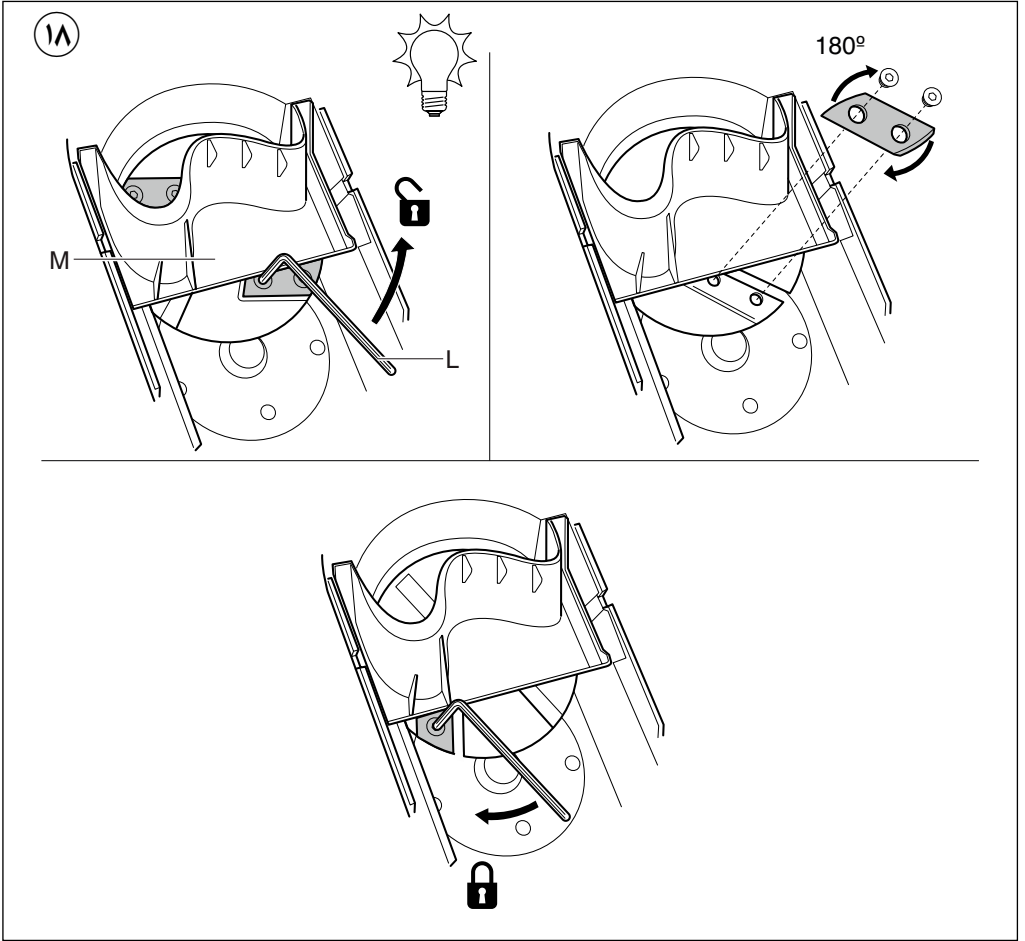
- لا تدع الأطفال أو الأشخاص الذين ليسوا على دراية بتعليمات التشغيل يستخدموا الآلة (يكن للتعليمات المحلية أن تفيد عمر المشغل)؛
- يحظر نهائياً تشغيل الآلة في اتجاه قريب من أشخاص؛ وأوقف تشغيل الآلة أثناء وجود أشخاص (خاصة الأطفال) أو حيوانات اليفة بالقرب من الآلة؛
- يُعد المستخدم هو المسئول عن الحوادث أو المخاطر التي قد يتعرض لها أشخاص آخرون أو ممتلكاتهم؛
- حافظ على كافة الواقيات والحارفات في موضعها وفي حالة عمل جيدة؛
- قم دائماً بإيقاف تشغيل الآلة وإيقاف شفرة القطع وفصل القابض؛
  - متى قمت بترك الآلة بدون مراقبة؛
  - قبل تنظيف المواد العالقة؛
  - قبل فحص الآلة أو تنظيفها أو تشغيلها؛
- قبل تركيب أو إزالة كيس التجميع؛

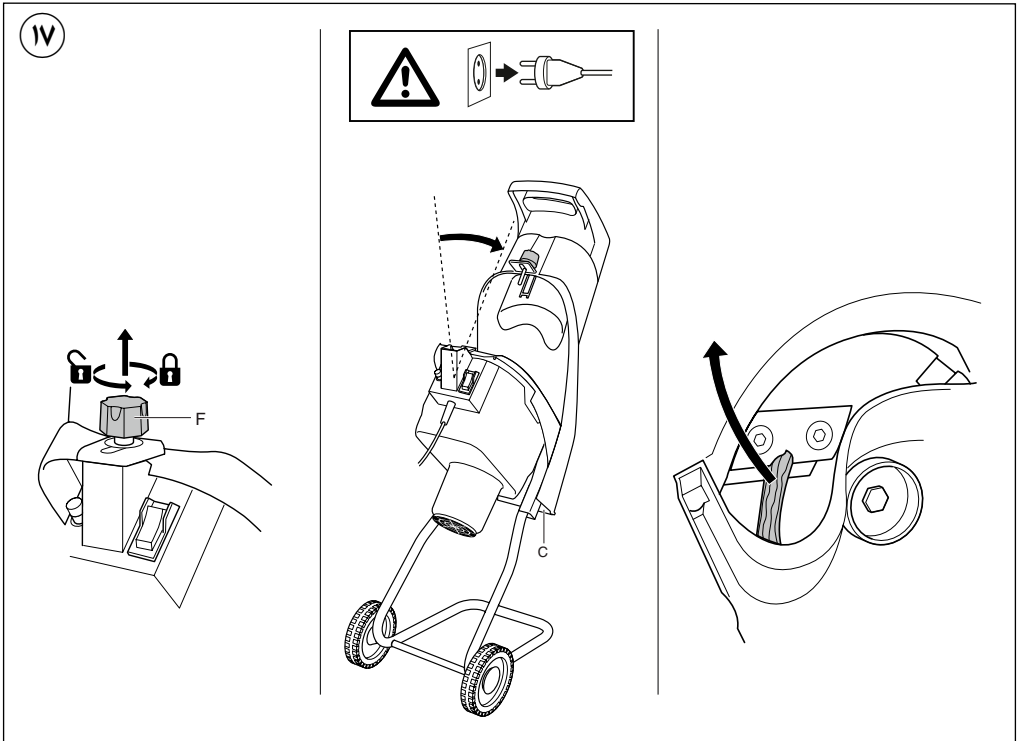
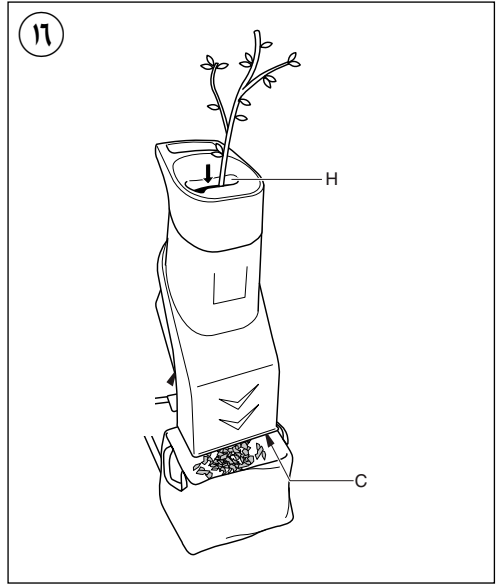
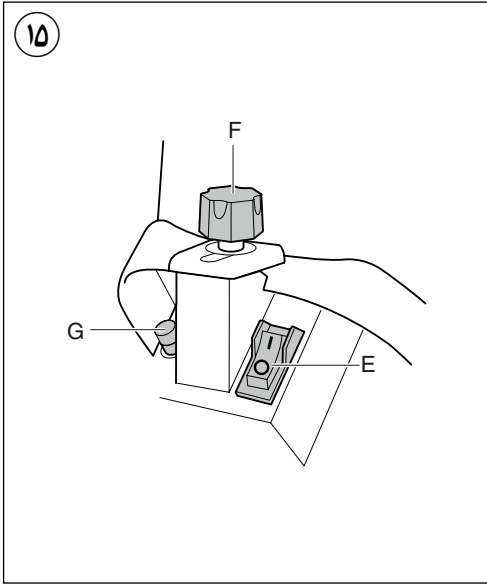
## الأمان الكهربائي

- تأكد دائماً من أن الفولت الزهود هو نفسه المشار اليه على اللوحة الخاصة بالآلة
- قم بفحص السلك بشكلي دوري وإذا تعرض للتلف، استعن بشخص مؤهل لاستبداله؛
- قم بفحص سلك التصديد بشكل دوري واستبدله في حال تلفه (أسلاك التصديد غير الملائمة قد تكون خطيرة)
- عند تشغيل الآلة في بيئات رطبة، استخدم قاطع الدوارة (RCD) باستخدام تيار بدء إشعال مقداره ٣٠ مللي أمبير بحد أقصى؛
- لا تستخدم سوى سلك تمديد من نوع H٠٠٥VV-F أو H٠٠٥RN-F المخصص للاستخدام في المناطق المنفوحة ومزود بمقابس مسيك للماء ومقبس وصل؛
- قم دائماً بإيقاف تشغيل الآلة وفصل القابض من مصدر الطاقة إذا تعرض سلك إمداد الطاقة أو سلك التصديد للقطع أو التلف أو الانحشار (لا تقم بلمس السلك قبل فصل القابض)؛
- يجب استبدال سلك الطاقة التالف فقط لدى مركز خدمة SKIL لتجنب المخاطر؛ استخدم أسلاك تمديد مفكوكه تماماً وأمنة سعة ١٦ أمبير (١٣ أمبير في بريطانيا العظمى)
- قم بحماية سلك (التصديد) من الحرارة والزيت والحواف الحادة؛
- لا تطأ بقدميك فوق سلك (التصديد) أو تدهسه أو تسحبه؛
- قم فقط باستخدام أسلاك تمديد بطول ٢٠ متر (٢٠٠ قدم) أو (٥٠ متر ٢,٥ م) بحد أقصى؛

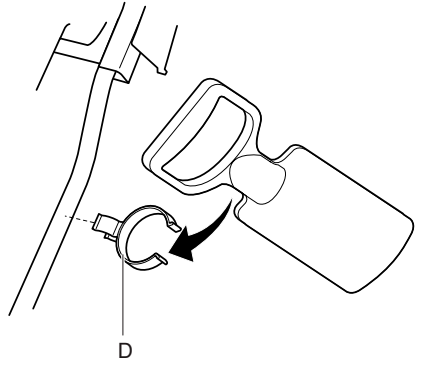
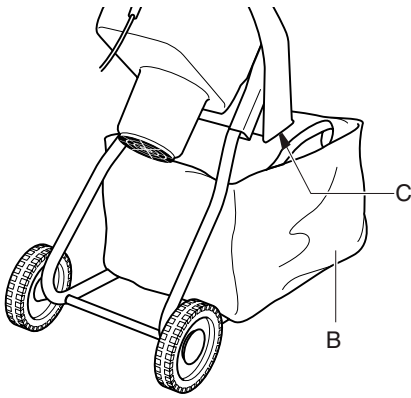
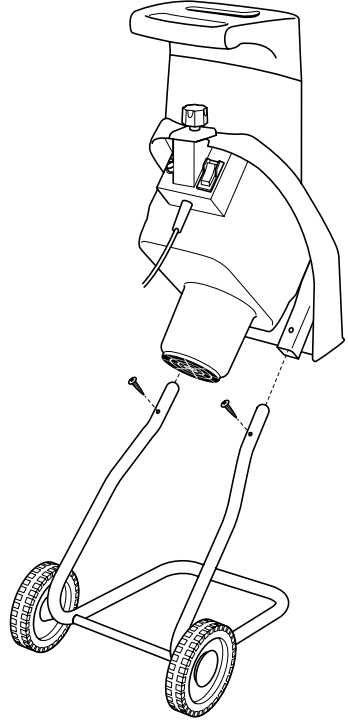
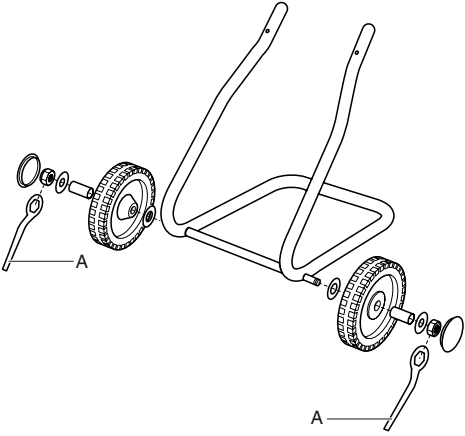
## أمان الأشخاص

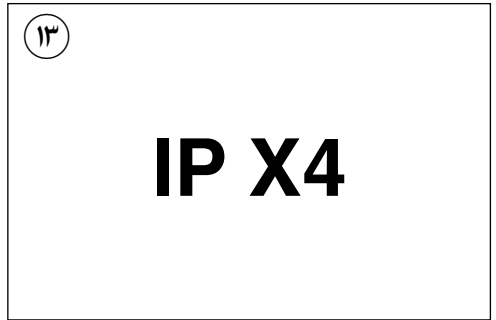
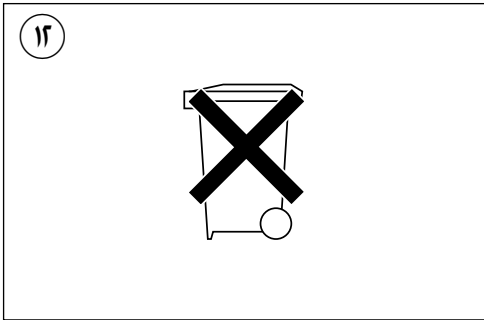
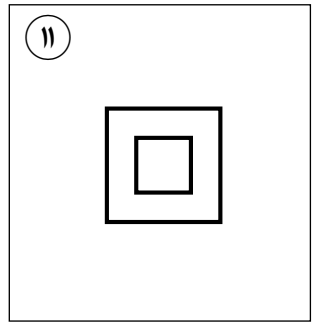
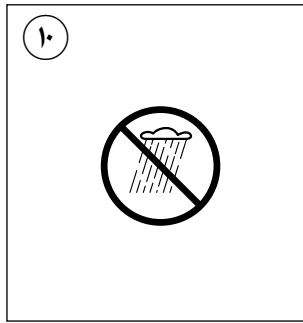
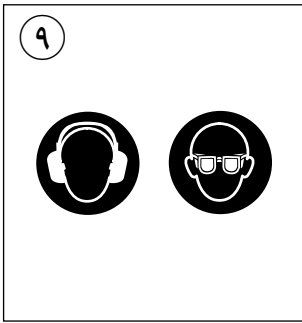
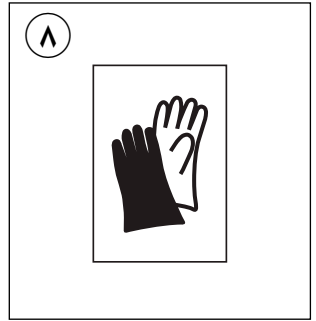
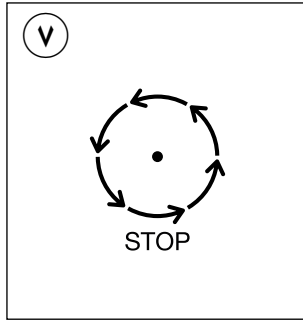
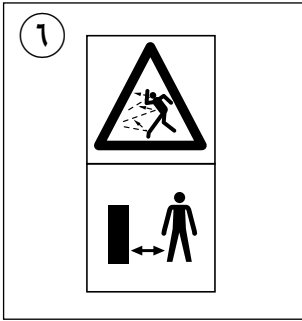
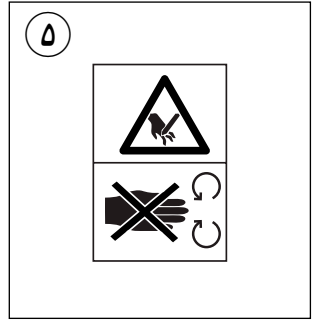
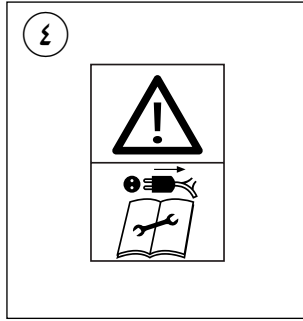
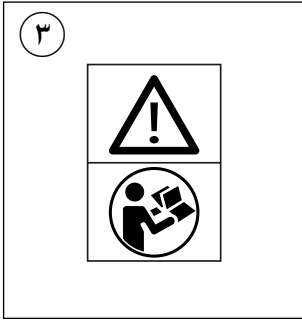
- لا تقم بتشغيل الآلة عندما تكون حافي القدمين أو ترتدي صندل مفتوح؛ يجب عليك دائماً ارتداء أحذية قوية وسراويل طويلة؛
- تجنب ارتداء ملابس غير محكمة على الجسم أو أسلاك أو أربطة معلقة؛
- لا تقم بتشغيل الآلة إلا في المناطق المنفوحة (بعيداً عن الجدران أو الأجسام الصلبة الأخرى) وعلى سطح ثابت ومستو؛
- خزّن الآلة في مكان داخلي جاف ومحكم الغلق بعيداً عن متناول الأطفال؛
- قبل الاستخدام
  - تأكد من إحكام ربط كافة البراغى والصواميل والمسامير والنبثات الأخرى جيداً ومن تثبيت الواقيات والشاشات في موضعها؛
  - تأكد من أن مدخل التغذية فارغ؛
- أثناء الاستخدام
  - حافظ على وجهك وجسدك بعيداً عن فتحة مدخل التغذية؛
  - لا تسمح بدخول اليدين (أو أي من أجزاء الجسم) أو الملابس في فتحة مدخل التغذية أو فتحة المنفذ أو بالقرب من أي جزء متحرك؛
  - حافظ على توازن مناسب وثبات قدميك في جميع الأوقات؛ لا حاول بوضع نقاط بعيدة عنك؛
  - لا تقم مطلقاً بالوقوف في مستوى أعلى من قاعدة الآلة عند تغذية المواد؛
  - قم دائماً بالحفاظ على مسافة مناسبة من منطقة المنفذ عند تشغيل الآلة؛ عند تغذية المواد في الآلة كن حذراً للغاية كي لا يتم تضمين الأجزاء المعدنية أو الصخور أو الزجاجات أو العلب أو الأجسام الغريبة الأخرى؛
  - إذا اصطدمت اليه القطع بأي جسم غريب أو إذا بدأت الآلة في إصدار أية ضوضاء غير معتادة أو اهتزاز؛ فقم بإيقاف تشغيلها على الفور وإيقاف شفرة القطع وفصل القابض والقيام بالخطوات التالية؛
    - لفحص بحثاً عن تلف؛
    - استبدال أو إصلاح أية أجزاء تالفة؛
    - الفحص بحثاً عن أية أجزاء مفكوكه وإحكام ربطها؛
  - لا تسمح بتراكم المواد المعالجة داخل منطقة المنفذ؛ قد يعمل هذا على منع التفريغ المناسب والذي قد يؤدي إلى ارتداد المواد عبر فتحة مدخل التغذية؛





12





1

0770

**\***  
**Watt**

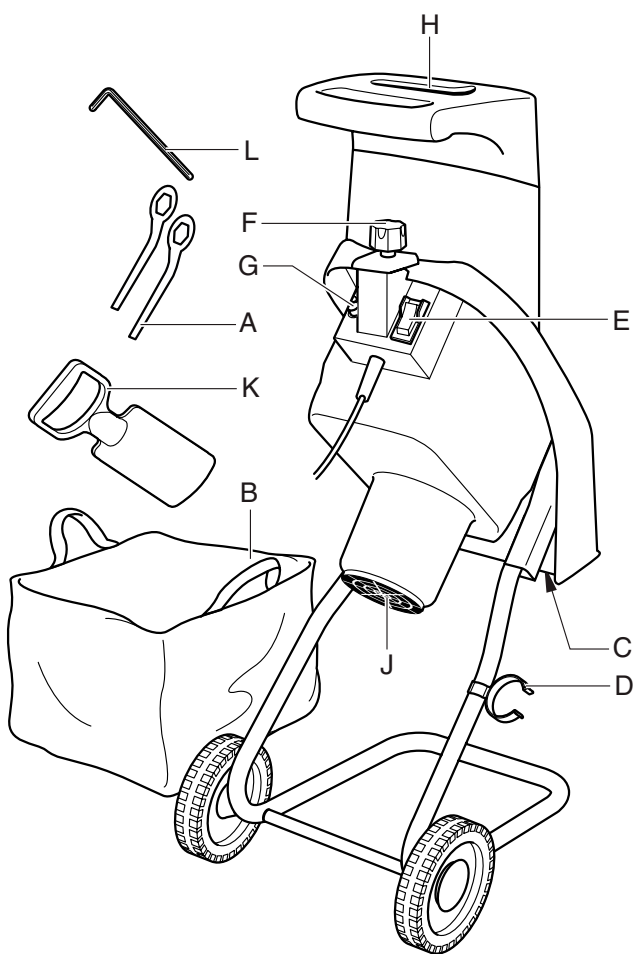
\* S1 - 2000 W  
S6 - 2400 W (P40)

**10,8 kg**  
EPTA 01/2003

**MAX**  
**38 mm**

**220**  
**240**  
**V~**  
**50-60 Hz**

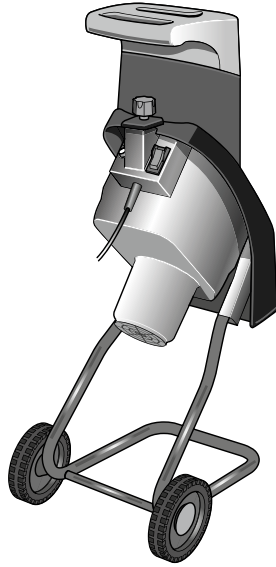
2



آلة التمزيق

0770

**SKIL**<sup>®</sup>



دليل الاستعمال

AR

راهنماي اصلي

FA



2610Z05370

12/13

سكيل أوروبا ب.د.ق. - كونينانبرج 60  
4825 ب.د. بريدا - هولندا



Сертификат о соответствии  
KZ.7500052.22.01.00081

Срок действия сертификата о соответствии  
по 09.07.2018

ТОО «Центр Сертификации продукции и услуг»

г. Алматы, ул Кабанбай батыра,

уг. Калдаякова 51/78

ДАТА ПРОИЗВОДСТВА